



# AKRON<sup>®</sup>

## BRASS COMPANY

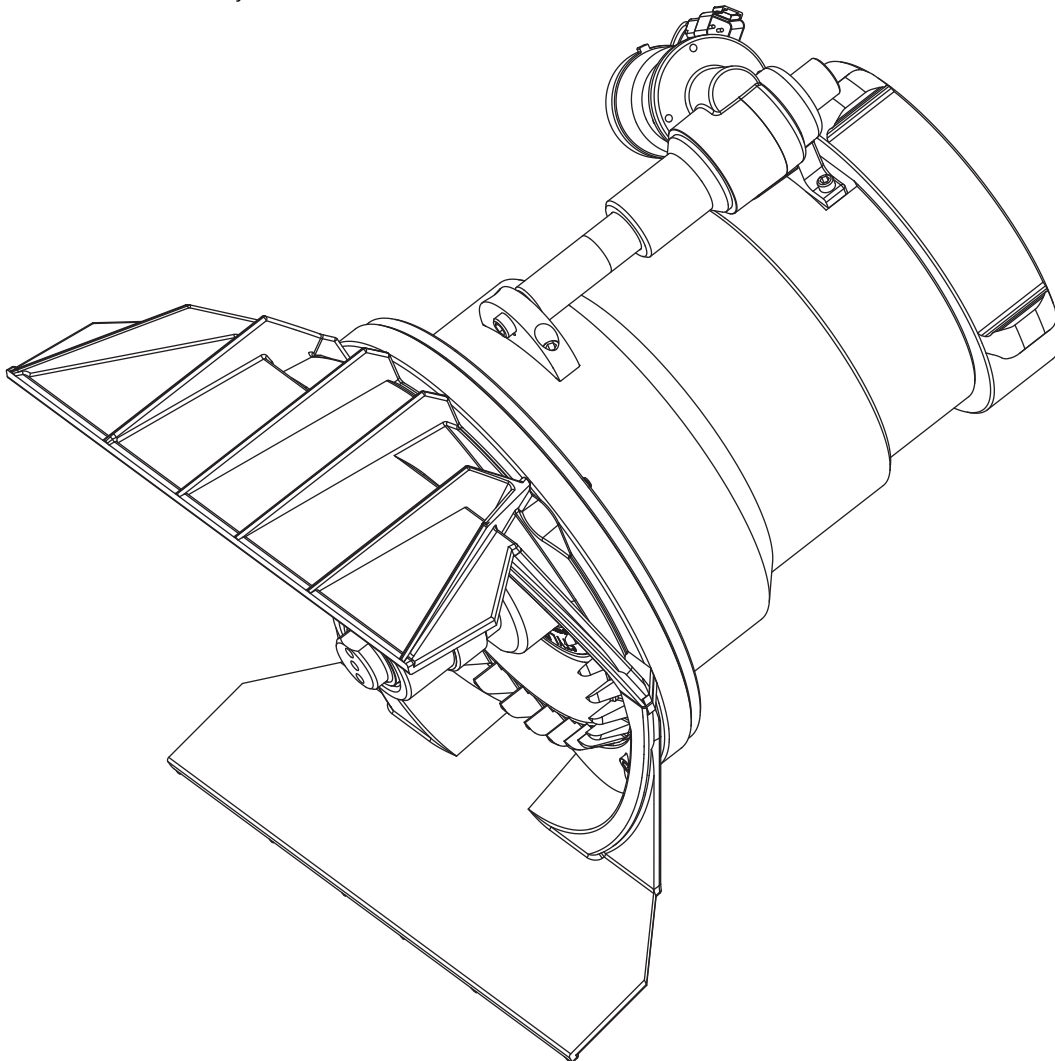
### STYLE 3700 AEROMASTER 12<sup>®</sup> AUTOMATIC NOZZLE STYLE 3701 AEROMASTER 12<sup>®</sup> EXCEL NOZZLE OPERATING INSTRUCTIONS

The following is intended to provide the basic instructions for operating an AeroMaster 12 nozzle. Read and understand these operating instructions before use.

#### PRODUCT RATINGS

Flow:	STYLE 3700: 1585-3200 gpm (6000-12000 lpm) @ 150 psi* (10 bar*) STYLE 3701: 2400/2650/2900/3200 gpm (9000/10000/11000/12000 lpm) @ 150 psi* (10 bar*)
Maximum Pressure:	232 psi/16 bar
Minimum Voltage at motor:	10 volts for a 12 volt system; 20 volts for 24 volt system
Maximum Motor Current Draw:	3 amps for 12 volt nozzle; 1.5 amps for 24 volt nozzle.
Inlet Size:	4-1/2" (115mm)

\*Pressure measured at the inlet of a Style 3000 AeroMaster 12 monitor.



## PRODUCT WARNINGS

**⚠ WARNING** Charge all lines slowly to facilitate a controlled water pressure build-up during start-up. Open and close slowly. Rapid opening will produce a sudden thrust. Rapid opening and closing can cause water hammer. Have your monitor properly supported to control the reaction force created by the stream.

**⚠ WARNING** At pressures below that indicated on the label, the nozzle will have reduced flow and reach. Be sure you have enough flow and pressure for the situation (See IFSTA and NFPA manuals for guidelines).

**⚠ WARNING** Ensure the AeroMaster 12 nozzle is aimed in a direction that is safe, prior to flowing.

**⚠ WARNING** Ensure the thread on the nozzle swivel is matched to the thread on the monitor

## PRODUCT CAUTIONS

**⚠ CAUTION** Noise hazard. Hearing protection required while discharging foam or water.

**⚠ CAUTION** If any tags or bands on the nozzle are worn or damaged and cannot be easily read, they should be replaced.

**⚠ CAUTION** Intended for use with fresh water or standard firefighting foams. Not recommended for use with salt water. After use with foam or salt water, flush with fresh water.

**⚠ CAUTION** For firefighting use only.

**⚠ CAUTION** Do not over tighten the nozzle onto the monitor.

**⚠ CAUTION** The nozzle is configured for optimum performance. Do not alter in any manner.

**⚠ CAUTION** Your nozzle should be inspected prior to, and after each use, to ensure it is in good operating condition. Periodically, an unanticipated incident may occur where the nozzle is used in a manner that is inconsistent with standard operating practices and those listed in IFSTA. A partial list of potential misuses follows:

- Operating above maximum rated pressure and flow.
- Not draining, and allowing water to freeze inside the nozzle.
- Dropping the nozzle from a height where damage is incurred.
- Prolonged exposure to temperatures above +130 degrees F, or below -25 degrees F,
- Operating in a corrosive environment.
- Other misuse that might be unique to your specific firefighting environment.

There are many "telltale" signs that indicate nozzle repair is in order, such as:

- Controls that are either inoperable or difficult to operate.
- Excessive wear.
- Poor discharge performance.
- Water leaks.

If any of the above situations are encountered, the nozzle should be taken out of service and repaired, plus tested by qualified nozzle technicians, prior to placing it back in service.

## OPERATING INSTRUCTIONS

**Electric Controls:** To change the spray angle, push the pattern control toggle switch to either SS (straight stream) or fog positions. The pattern sleeve of the nozzle will move toward the desired stream only when the switch is pressed and stop when the switch is released.

**Manual Override:** Pull manual override knob out. Once out, rotate the knob to move the pattern sleeve to the desired stream position. When finished, push and turn the override knob until it goes back into the stored position.

**Flow Control:** The Aeromaster 12 Excel Nozzle has a spring loaded, adjustable flow baffle which allows selection of the flow settings. To change flow settings, simply stop the flow of water, push in and rotate the baffle head until the desired flow aligns with the word "FLOW" located on the stationary part of the baffle assembly.

The AeroMaster 12 Automatic Nozzle is designed to operate at a constant 150 psi (10 bar) "nominal" pressure through out its flow range.

## MAINTENANCE

- Under normal conditions, periodically flushing the nozzle with clean water and cleaning grit and dirt from the exterior moving parts will allow the nozzle to operate as designed.
- Over time the seals and turbine teeth may need to be replaced. This can be accomplished by purchasing the appropriate Akron repair parts. Use qualified maintenance mechanics or return the nozzle to Akron Brass for repair.



PHONE: 330.264.5678 or 800.228.1161 | FAX: 330.264.2944 or 800.531.7335 | [akronbrass.com](http://akronbrass.com)

REVISED: 07/16

WARRANTY AND DISCLAIMER: We warrant Akron Brass products for a period of five (5) years after purchase against defects in materials or workmanship. Akron Brass will repair or replace product which fails to satisfy this warranty. Repair or replacement shall be at the discretion of Akron Brass. Products must be promptly returned to Akron Brass for warranty service.

We will not be responsible for: wear and tear; any improper installation, use, maintenance or storage; negligence of the owner or user; repair or modification after delivery; damage; failure to follow our instructions or recommendations; or anything else beyond our control. WE MAKE NO WARRANTIES, EXPRESS OR IMPLIED, OTHER THAN THOSE INCLUDED IN THIS WARRANTY STATEMENT, AND WE DISCLAIM ANY IMPLIED WARRANTY OF MERCHANTABILITY OR FITNESS FOR ANY PARTICULAR PURPOSE. Further, we will not be responsible for any consequential, incidental or indirect damages (including, but not limited to, any loss of profits) from any cause whatsoever. No person has authority to change this warranty.

© Akron Brass Company, 2015 All rights reserved. No portion of this can be reproduced without the express written consent of Akron Brass Company.