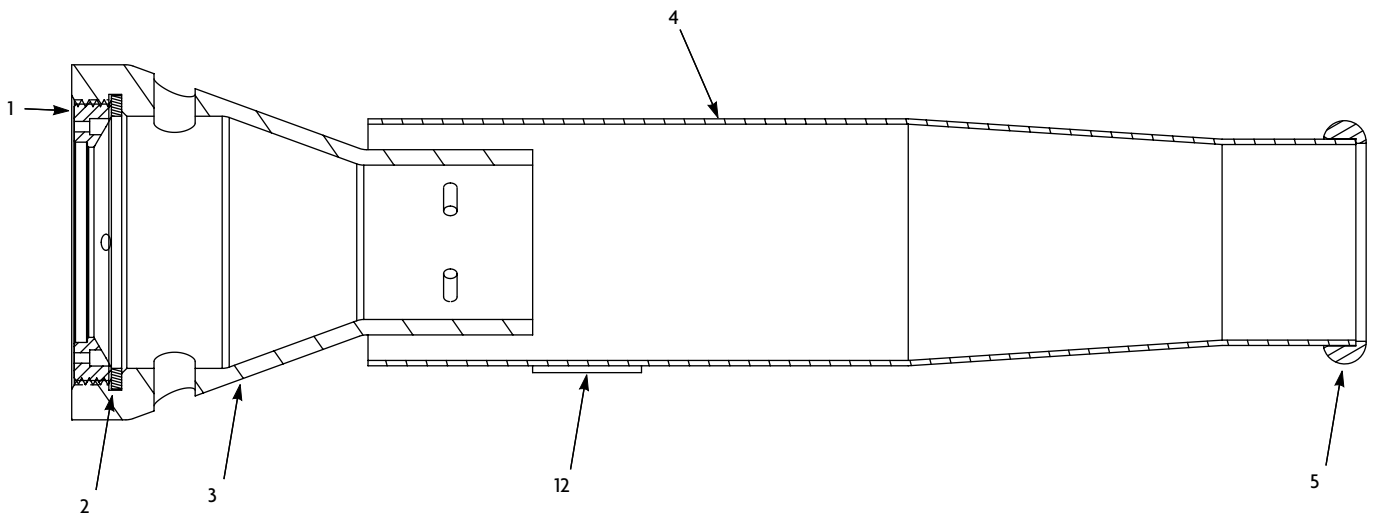


6/13





**STYLES 3620
FireFox™ Foam Tube
TECHNICAL SERVICE PARTS LIST**

ITEM NO.	DESCRIPTION	PART NUMBER	QUANTITY
1	Turbine Retaining Ring	119355	1
2	Gasket	714002	1
3	Attachment Ring	123855	1
4	Tube	123854	1
5	Bumper	104712	1
6	Soc. Head Cap Screw	765182	4
7	Soc. Head Cap Screw For Item 1 (not shown)	767019	4
12	ID Band	704744	1
13	Washer	784123	4

Assembly Instructions

1. Remove the turbine retaining ring from your FireFox nozzle.
2. Install the new turbine retaining ring with the external thread, using the four screws # 7 provided.
3. When needed, thread the Style 3620 Foam Tube onto the FireFox nozzle.

Note: If your FireFox nozzle does not have four threaded holes to attach the turbine retaining ring, it must be returned to the factory to be upgraded. Contact Akron Brass Customer Service at 800.228.1161.



PHONE: 330.264.5678 or 800.228.1161 | FAX: 330.264.2944 or 800.531.7335 | akronbrass.com

REVISED: 4/13

WARRANTY AND DISCLAIMER: We warrant Akron Brass products for a period of five (5) years after purchase against defects in materials or workmanship. Akron Brass will repair or replace product which fails to satisfy this warranty. Repair or replacement shall be at the discretion of Akron Brass. Products must be promptly returned to Akron Brass for warranty service.

We will not be responsible for: wear and tear; any improper installation, use, maintenance or storage; negligence of the owner or user; repair or modification after delivery; damage; failure to follow our instructions or recommendations; or anything else beyond our control. WE MAKE NO WARRANTIES, EXPRESS OR IMPLIED, OTHER THAN THOSE INCLUDED IN THIS WARRANTY STATEMENT, AND WE DISCLAIM ANY IMPLIED WARRANTY OF MERCHANTABILITY OR FITNESS FOR ANY PARTICULAR PURPOSE. Further, we will not be responsible for any consequential, incidental or indirect damages (including, but not limited to, any loss of profits) from any cause whatsoever. No person has authority to change this warranty.

© Akron Brass Company, 2011 All rights reserved. No portion of this can be reproduced without the express written consent of Akron Brass Company.