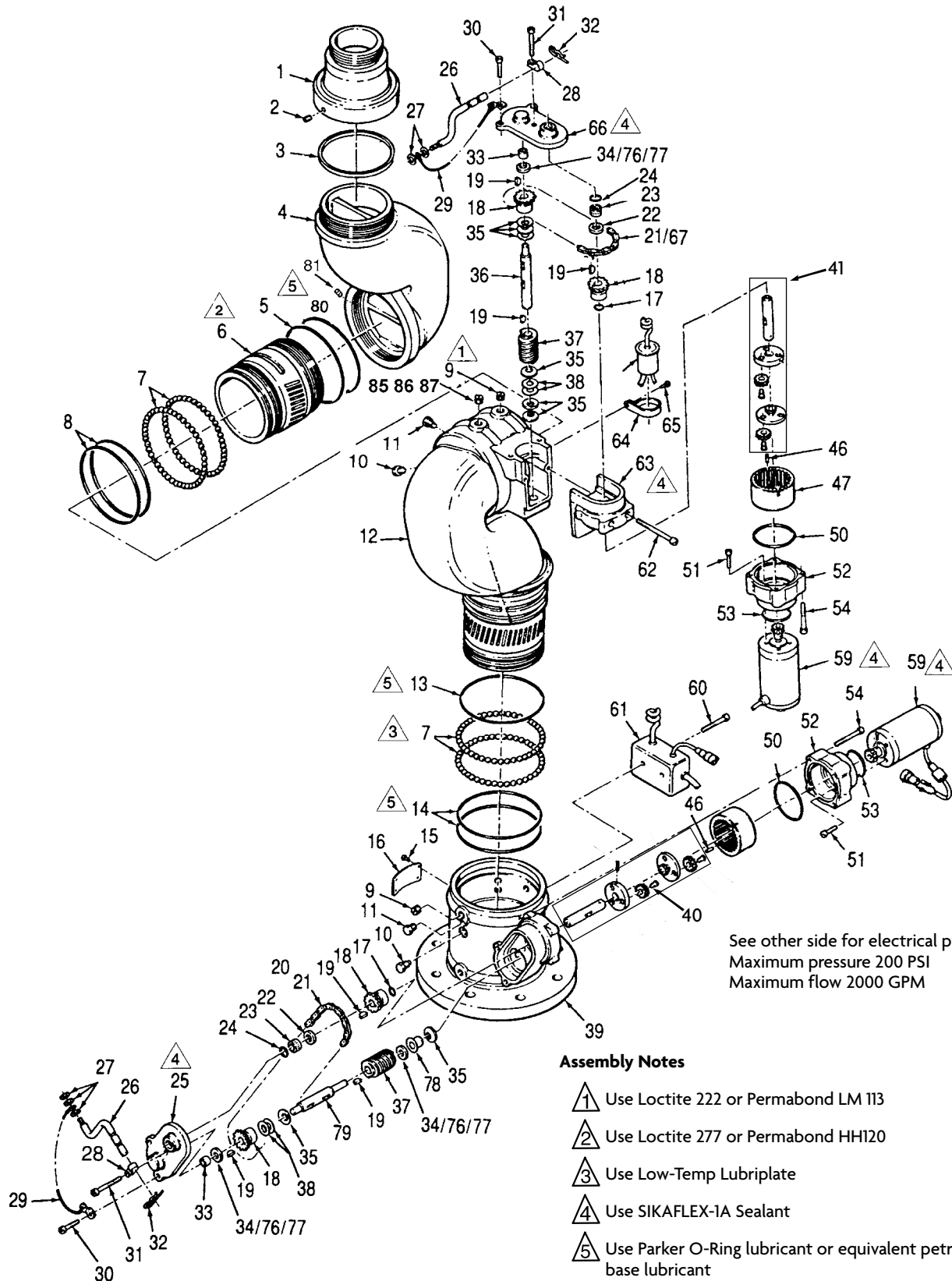


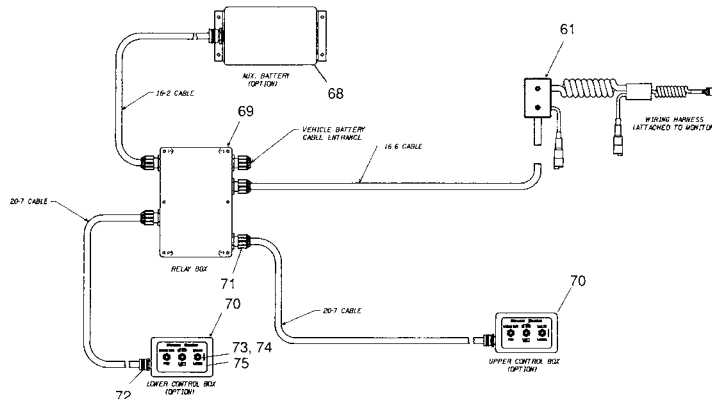
TECHNICAL SERVICE PARTS



See other side for electrical parts
Maximum pressure 200 PSI
Maximum flow 2000 GPM

Assembly Notes

- ① Use Loctite 222 or PermaBond LM 113
- ② Use Loctite 277 or PermaBond HH120
- ③ Use Low-Temp Lubriplate
- ④ Use SIKAFLEX-1A Sealant
- ⑤ Use Parker O-Ring lubricant or equivalent petroleum base lubricant



ITEM NO.	DESCRIPTION	PART NUMBER	QUANTITY
1	3/2 NH X 2 1/2 NH Adapter	35782015	1
1	3 1/2 NH X 2 1/2 NH Adapter (Painted)	35780022	1
2	Set Screw	765047	1
3	Gasket	714023	1
4	Outlet Elbow	*	1
5	O-Ring	757080	1
6	Inner Swivel	*	1
7	Ball Bearings	†	159
8	O-Ring	757068	2
9	Swivel Plug	742112	4
10	Rotational Stop	769498	3
11	Rotational Plug	744337	16
12	Inlet Elbow	117797	1
13	O-Ring	757077	1
14	O-Ring	757076	2
15	Grip Nail	736045	4
16	Instruction Tag	773345	1
17	O-Ring	757041	2
18	Sprocket	769499	4
19	Woodruff Key	727025	6
20	Horizontal Rotation Chain	35780001	1
21	Master Link	729092	2
22	Spacer	769495	2
23	Roller Bearing	704395	2
24	O-Ring	757313	2
25	Rotation Cover	104650	1
26†	Override Handle	721291	1
27†	Retention Rings	758203	4
28	Cable Clamp	707189	2
29†	Lanyard	729076	2
30	Socket Head Cap Screw	765100	4
31	Socket head Cap Screw	763035	2
32†	Hairpin Clip	744339	2
33	Bearing	704393	2
34	Thrust Bearing	704437	3
35	Belleville Spring	769276	8
36	Shaft	769497	1
37	Worm Gear	718166	2
38	Shim	769494	2
39	4" 150 lb. Flange Base	117823	1
40	Rotation Gear Assembly	35780365	2
41	Elevation Gear Assembly	35790017	1

ITEM NO.	DESCRIPTION	PART NUMBER	QUANTITY
46	Roll Pin	744288	4
47	Internal Gear	718164	2
50	O-Ring	757312	2
51	Socket Head Cap Screw	765052	8
52	Gearbox Housing	109320	2
53	O-Ring	757056	2
54	Socket Head Cap Screw	767132	8
59	Rotation 12V Motor	35790005	1
59	Elevation 12V Motor	35782002	1
60	Socket Head Cap Screw	767126	2
61	96" Wiring Harness	721384	1
62	Socket Head Cap Screw	767133	2
63	Sprocket Housing	104653	1
64	Cable Clamp	707251	1
65	Button Head Screw	765143	1
66	Elevation Cover	104649	1
67	Vertical Rotation Chain	35782014	1
68	12V Battery	35780085	1
68	24V Battery	35780009	1
69	12V & 24V Logic Box	35790002	1
69	Logic Box (Only)	35780118	--
70	Control Box Less Cable	35780003	1 or 2
70	Control Box w/7ft Cable	35780004	1 or 2
71	Plastic Cable Grip	707330	1
72	Aluminum Cable Grip	707331	1
73	Toggle Switch	769476	3
74	Toggle Switch Boot	769511	3
75	Decal	708093	1
76	Thick Bearing Washer	784113	3
77	Thin Bearing Washer	784114	3
78	Rotation Bushing	703461	1
79	Rotation Shaft	769525	1
80	O-Ring	*	1
81	Set Screw	765108	1
85	Plug	742123	2
86	Adapter Plug	742143	2
87	Grease Fitting	713191	2

† Packet of 50 Ball Bearings – P/N 109342

*Cannot be purchased separately – must buy elbow assembly P/N 3578-0098

†Manual Crank Assembly - P/N 3578-0216