

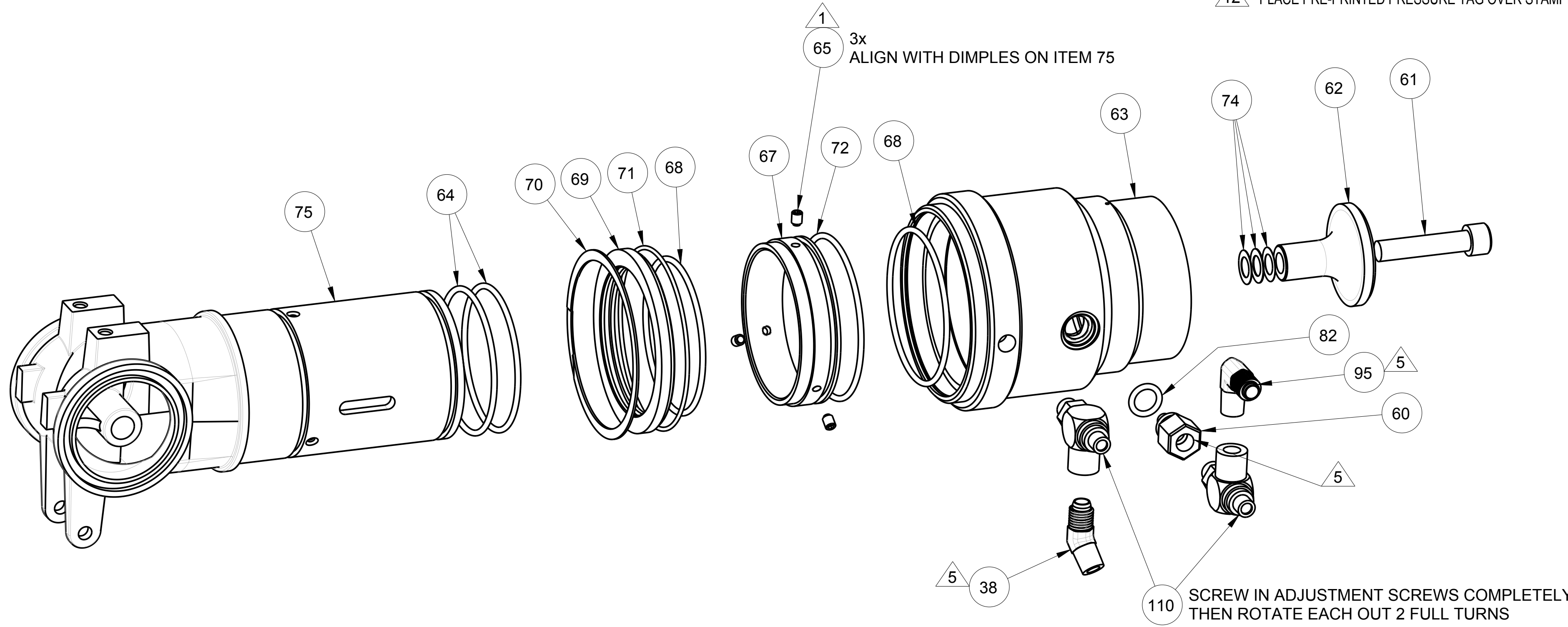
| Chg. | Date |
|------|-------|
| 03 | 05-06 |
| 04 | 07-14 |

ASSEMBLY NOTES:

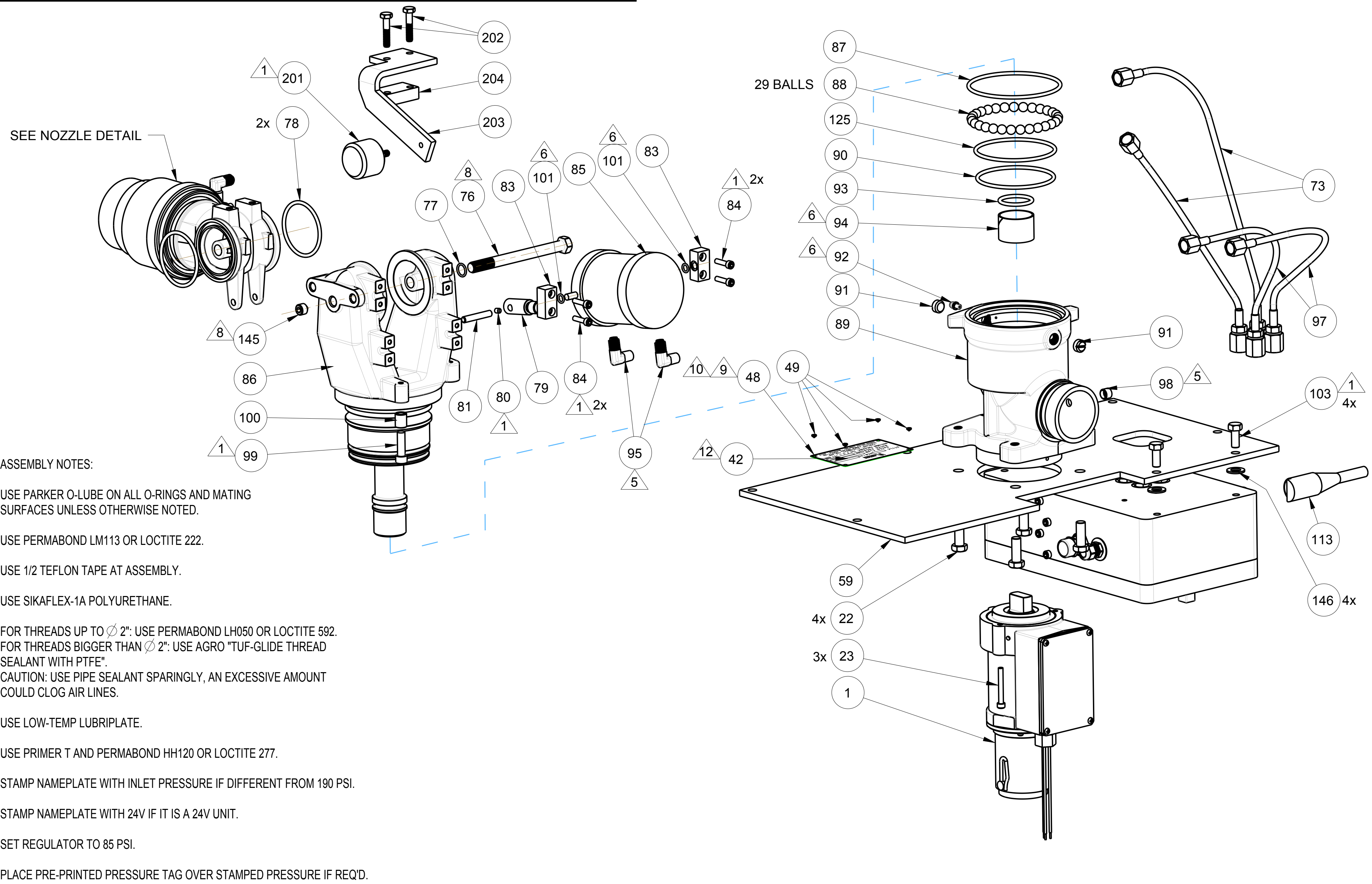
USE PARKER O-LUBE ON ALL O-RINGS AND MATING SURFACES UNLESS OTHERWISE NOTED.

- 1 USE PERMABOND LM113 OR LOCTITE 222.
- 3 USE 1/2 TEFLON TAPE AT ASSEMBLY.
- 4 USE SIKAFLEX-1A POLYURETHANE SEALANT.
- 5 FOR THREADS UP TO \varnothing 2": USE PERMABOND LH050 OR LOCTITE 592. FOR THREADS BIGGER THAN \varnothing 2": USE AGRO "TUF-GLIDE THREAD SEALANT WITH PTFE". CAUTION: USE PIPE SEALANT SPARINGLY, AN EXCESSIVE AMOUNT COULD CLOG AIR LINES.
- 6 USE LOW-TEMP LUBRIPLATE.
- 8 USE PRIMER T AND PERMABOND HH120 OR LOCTITE 277.
- 9 STAMP TURRET RATED PRESSURE.
- 10 STAMP NAMEPLATE WITH 24V IF IT IS A 24V UNIT.
- 11 SET REGULATOR TO 85 PSI.
- 12 PLACE PRE-PRINTED PRESSURE TAG OVER STAMPED PRESSURE IF REQ'D.

NOZZLE DETAIL



| Chg. | Date |
|------|-------|
| 03 | 05-06 |
| 04 | 07-14 |



ASSEMBLY NOTES:

USE PARKER O-LUBE ON ALL O-RINGS AND MATING SURFACES UNLESS OTHERWISE NOTED.

- 1 USE PERMABOND LM113 OR LOCTITE 222.
- 3 USE 1/2 TEFLON TAPE AT ASSEMBLY.
- 4 USE SIKAFLEX-1A POLYURETHANE.
- 5 FOR THREADS UP TO \varnothing 2": USE PERMABOND LH050 OR LOCTITE 592. FOR THREADS BIGGER THAN \varnothing 2": USE AGRO "TUF-GLIDE THREAD SEALANT WITH PTFE". CAUTION: USE PIPE SEALANT SPARINGLY, AN EXCESSIVE AMOUNT COULD CLOG AIR LINES.
- 6 USE LOW-TEMP LUBRIPLATE.
- 8 USE PRIMER T AND PERMABOND HH120 OR LOCTITE 277.
- 9 STAMP NAMEPLATE WITH INLET PRESSURE IF DIFFERENT FROM 190 PSI.
- 10 STAMP NAMEPLATE WITH 24V IF IT IS A 24V UNIT.
- 11 SET REGULATOR TO 85 PSI.
- 12 PLACE PRE-PRINTED PRESSURE TAG OVER STAMPED PRESSURE IF REQ'D.

PHONE: 330.264.5678 or 800.228.1161 | FAX: 330.264.2944 or 800.531.7335 | www.akronbrass.com

Parts List Sheet:

124660

WARRANTY AND DISCLAIMER*: We warrant Akron Brass products for a period of five (5) years* after purchase against defects in materials or workmanship. Akron Brass will repair or replace product which fails to satisfy this warranty. Repair or replacement shall be at the discretion of Akron Brass. Products must be promptly returned to Akron Brass for warranty service. We will not be responsible for: wear and tear; any improper installation, use, maintenance or storage; negligence of the owner or user; repair or modification after delivery; failure to follow our instructions or recommendations; or anything else beyond our control. WE MAKE NO WARRANTIES, EXPRESS OR IMPLIED, OTHER THAN THOSE INCLUDED IN THIS WARRANTY STATEMENT, AND WE DISCLAIM ANY IMPLIED WARRANTY OF MERCHANTABILITY OR FITNESS FOR ANY PARTICULAR PURPOSE. Further, we will not be responsible for any consequential, incidental or indirect damages (including, but not limited to, any loss of profits) from any cause whatsoever. No person has authority to change this warranty. *Unless otherwise provided herein. Akron Brass industrial electronic components & the Severe-Duty Monitor have a one (1) year warranty. Select Akron Brass handline nozzles and valves carry a ten (10) year warranty. Weldon products have a two (2) year warranty from date of manufacture (excluding consumable components). Select Weldon LED products carry a five (5) year warranty. Honda products have the manufacturers' warranty and Akron Brass disclaims any warranty in respect of those products.



TECHNICAL SERVICE PARTS

STYLE 3465

PRODUCT 400, 500 GPM BUMPER TURRET

| Chg. | Date |
|------|-------|
| 03 | 05-06 |
| 04 | 07-14 |

| Find | Description | Item | QTY |
|------|---------------------------------------|----------|-----|
| 1 | MOTOR GEARBOX 24V | 34650056 | 1 |
| 1 | MOTOR GEARBOX 12V | 34650055 | 1 |
| 22 | SCREW HEX HEAD CAP 3/8 -16 x 1" | 761072 | 4 |
| 23 | SCREW SOCKET HEAD CAP 10-24 x 1-1/2" | 767112 | 3 |
| 38 | FITTING TUBE 1/8 NPT x 45° | 713067 | 1 |
| 40 | SCREW SOCKET HEAD CAP 4-40 x 1/2" | 760041 | 4 |
| 41 | INSULATION TUBE | 773145 | 11" |
| 43 | FITTING MALE RUN TEE | 713080 | 2 |
| 44 | FITTING BULKHEAD CONNECTOR | 713081 | 5 |
| 45 | ELBOW 90° | 710091 | 8 |
| 46 | FITTING MALE CONNECTOR | 713082 | 1 |
| 47 | LABEL WIRING | 729123 | 1 |
| 48 | PLATE | 744493 | 1 |
| 49 | NAIL GRIP | 736052 | 4 |
| 53 | LABEL SPEED CONTROL | 729124 | 1 |
| 55 | LABEL AIR INLET | 729125 | 1 |
| 57 | LABEL AIR EXHAUST | 729126 | 1 |
| 59 | MOUNTING PLATE | 109215 | 1 |
| 60 | CONNECTOR AIR | 707262 | 1 |
| 61 | SCREW SOCKET HEAD CAP 3/8-16 x 1-3/4" | 767142 | 1 |
| 62 | BAFFLE (400GPM) | 109584 | 1 |
| 62 | BAFFLE (500GPM) | 109548 | 1 |
| 63 | SLEEVE PATTERN | 109545 | 1 |
| 64 | O-RING 2-143 | 757159 | 2 |
| 65 | SCREW 1/2 DOG SET 10-24 x 1/4" | 767103 | 3 |
| 67 | PISTON CENTER | 109547 | 1 |
| 68 | O-RING 2-148 | 757332 | 2 |
| 69 | PISTON REAR | 109546 | 1 |
| 70 | RING RETAINING | 758219 | 1 |

| Find | Description | Item | QTY |
|------|---|----------|-----|
| 71 | O-RING 2-042 | 757106 | 1 |
| 72 | O-RING 2-150 | 757161 | 1 |
| 73 | HOSE BRAIDED 20" | 721265 | 2 |
| 73 | HOSE BRAIDED 34" | 34650127 | 4 |
| 74 | SHIM BAFFLE BLUE | 768218 | 1 |
| 74 | SHIM BAFFLE BROWN | 768219 | 1 |
| 74 | SHIM BAFFLE PINK | 768220 | 2 |
| 75 | TEE OUTLET | 109835 | 1 |
| 76 | SCREW HEX HEAD CAP 7/16-14 x 5" | 761083 | 1 |
| 77 | O-RING 2-013 | 757095 | 1 |
| 78 | O-RING 2-227 | 757289 | 2 |
| 79 | CYLINDER EYE | 707266 | 1 |
| 80 | SCREW ALLEN HEAD CUP POINT SET 10-24 x 1/4" | 765025 | 1 |
| 81 | PIN CYLINDER | 744302 | 1 |
| 82 | O-RING 2-111 | 757198 | 1 |
| 83 | CYLINDER PIVOT | 707267 | 2 |
| 84 | SCREW SOCKET HEAD CAP 10-24 x 3/4" | 767086 | 4 |
| 85 | AIR CYLINDER | 109216 | 1 |
| 86 | SIAMESE | 104493 | 1 |
| 87 | O-RING 2-238 | 757036 | 1 |
| 88 | BALL BRASS 3/8" | 704020* | 29 |
| 89 | ELBOW INLET | 117305 | 1 |
| 90 | O-RING 2-234 | 757029 | 1 |
| 91 | PLUG SWIVEL | 742024 | 2 |
| 92 | FITTING GREASE 3/16 | 713191 | 1 |
| 93 | O-RING 2-217 | 757064 | 1 |
| 94 | BEARING | 704288 | 1 |
| 95 | FITTING 1/8 NPT x 90° | 713199 | 3 |
| 97 | HOSE BRAIDED 22" | 721260 | 2 |
| 98 | PLUG PIPE SOCKET HEAD 1/8" | 744009 | 1 |
| 99 | SCREW SOCKET HEAD CAP 5/16-18 x 1" | 766036 | 1 |

| Find | Description | Item | QTY |
|------|---|--------|-----|
| 100 | SPACER STOP | 770270 | 1 |
| 101 | O-RING 2-010 | 757005 | 2 |
| 102 | SCREW SOCKET HEAD CAP 10-32 x 3/8" | 765152 | 10 |
| 103 | SCREW HEX HEAD CAP 5/16-18 x 3/4" | 761070 | 4 |
| 104 | REGULATOR AIR | 758190 | 1 |
| 105 | FITTING TEE 1/8" | 713084 | 1 |
| 106 | FITTING ELBOW 1/8" | 713085 | 1 |
| 107 | BLOCK TERMINAL | 704293 | 1 |
| 108 | PLUG ACCESS | 744303 | 1 |
| 109 | BOX JUNCTION | 703414 | 1 |
| 110 | VALVE CONTROL | 779058 | 3 |
| 111 | SOLENOID 24V | 769464 | 2 |
| 111 | SOLENOID 12V | 769420 | 2 |
| 112 | CONNECTOR BULKHEAD | 707265 | 1 |
| 113 | WIRING HARNESS 12' | 721264 | 1 |
| 120 | SCREW SOCKET HEAD CAP 4-40 x 3/8" | 767019 | 4 |
| 125 | O-RING 2-235 | 757046 | 1 |
| 126 | BRACKET REGULATOR | 704779 | 1 |
| 128 | BLOCK TERMINAL | 704294 | 1 |
| 130 | FITTING ELBOW | 713075 | 1 |
| 131 | HOSE NYLON | 721261 | 59" |
| 132 | GRIP 1/4 NPT | 718014 | 1 |
| 133 | GROMMET RUBBER | 718098 | 1 |
| 134 | GRIP 3/8 NPT | 718141 | 1 |
| 136 | JUMPER WIRE | 725024 | 4 |
| 145 | SCREW SOCKET HEAD CONE POINT SET 7/16-14 x 1/2" | 765099 | 1 |
| 146 | WASHER FLAT | 784093 | 4 |
| 200 | SOLENOID 24V | 779071 | 2 |
| 200 | SOLENOID 12V | 779061 | 2 |
| 201 | COUNTERBALANCE | 104467 | 1 |
| 202 | SCREW HEX HEAD CAP 1/4-20 x 1-1/4" | 761089 | 2 |
| 203 | BRACKET DRIVE | 704355 | 1 |
| 204 | SPACER MOUNTING | 769468 | 1 |

* KIT OF 50 BALLS: 109342

PHONE: 330.264.5678 or 800.228.1161 | FAX: 330.264.2944 or 800.531.7335 | www.akronbrass.com

Parts List Sheet:

124660

WARRANTY AND DISCLAIMER*: We warrant Akron Brass products for a period of five (5) years* after purchase against defects in materials or workmanship. Akron Brass will repair or replace product which fails to satisfy this warranty. Repair or replacement shall be at the discretion of Akron Brass. Products must be promptly returned to Akron Brass for warranty service. We will not be responsible for: wear and tear; any improper installation, use, maintenance or storage; negligence of the owner or user; repair or modification after delivery; failure to follow our instructions or recommendations; or anything else beyond our control. WE MAKE NO WARRANTIES, EXPRESS OR IMPLIED, OTHER THAN THOSE INCLUDED IN THIS WARRANTY STATEMENT, AND WE DISCLAIM ANY IMPLIED WARRANTY OF MERCHANTABILITY OR FITNESS FOR ANY PARTICULAR PURPOSE. Further, we will not be responsible for any consequential, incidental or indirect damages (including, but not limited to, any loss of profits) from any cause whatsoever. No person has authority to change this warranty. *Unless otherwise provided herein. Akron Brass industrial electronic components & the Severe-Duty Monitor have a one (1) year warranty. Select Akron Brass handline nozzles and valves carry a ten (10) year warranty. Weldon products have a two (2) year warranty from date of manufacture (excluding consumable components). Select Weldon LED products carry a five (5) year warranty. Honda products have the manufacturers' warranty and Akron Brass disclaims any warranty in respect of those products.

©Premier Farnell Corporation. 2012 All rights reserved. No portion of this can be reproduced without the express written consent of Premier Farnell Corporation

D40020