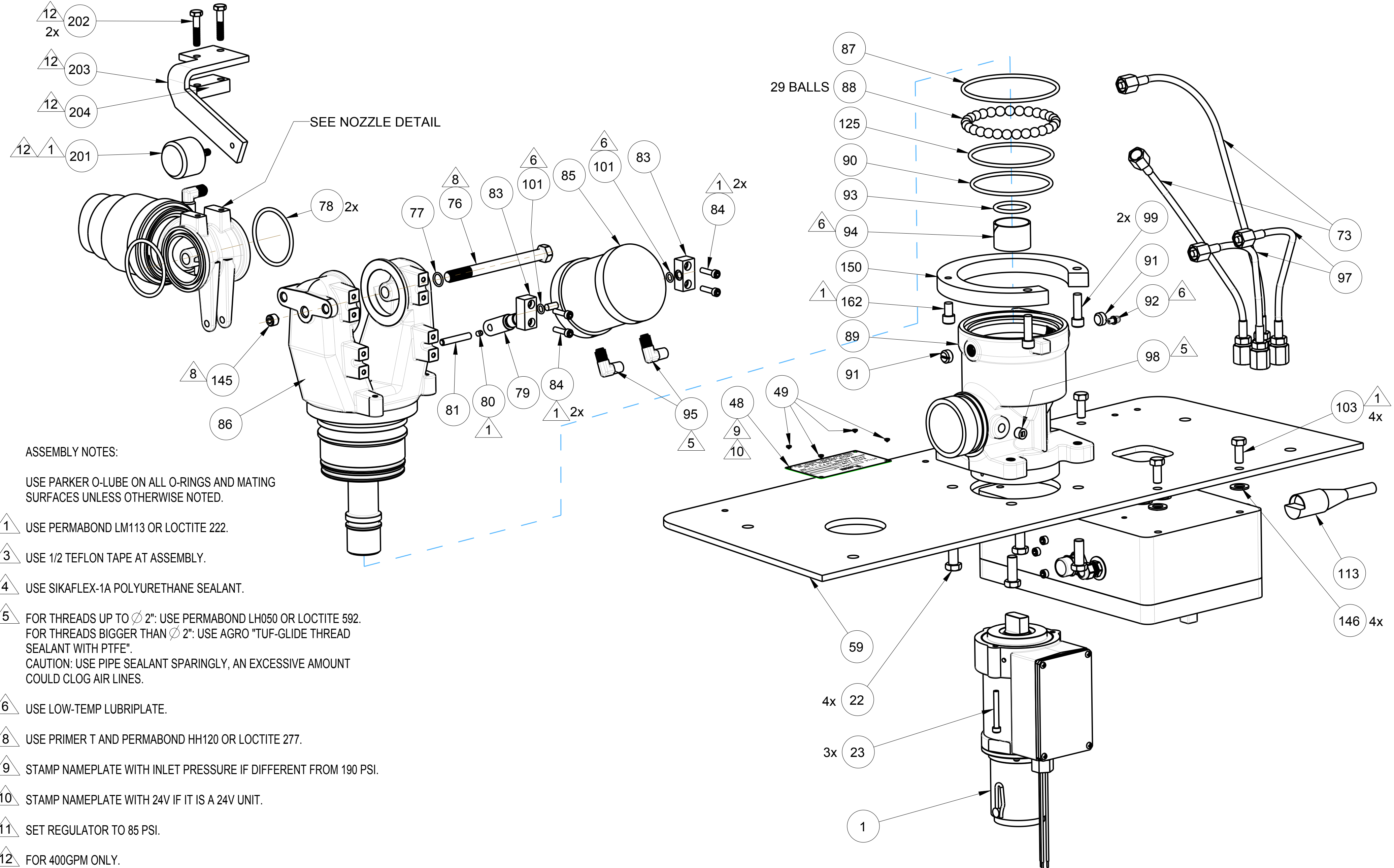


ASSEMBLY NOTES:

USE PARKER O-LUBE ON ALL O-RINGS AND MATING SURFACES UNLESS OTHERWISE NOTED.

- 1 USE PERMABOND LM113 OR LOCTITE 222.
- 3 USE 1/2 TEFLON TAPE AT ASSEMBLY.
- 4 USE SIKAFLEX-1A POLYURETHANE SEALANT.
- 5 FOR THREADS UP TO \varnothing 2": USE PERMABOND LH050 OR LOCTITE 592. FOR THREADS BIGGER THAN \varnothing 2": USE AGRO "TUF-GLIDE THREAD SEALANT WITH PTFE". CAUTION: USE PIPE SEALANT SPARINGLY, AN EXCESSIVE AMOUNT COULD CLOG AIR LINES.
- 6 USE LOW-TEMP LUBRIPLATE.
- 8 USE PRIMER T AND PERMABOND HH120 OR LOCTITE 277.
- 9 STAMP NAMEPLATE WITH INLET PRESSURE IF DIFFERENT FROM 190 PSI.
- 10 STAMP NAMEPLATE WITH 24V IF IT IS A 24V UNIT.
- 11 SET REGULATOR TO 85 PSI.
- 12 FOR 400GPM ONLY.

Chg.	Date
05	04-14
06	06-14



ASSEMBLY NOTES:

USE PARKER O-LUBE ON ALL O-RINGS AND MATING SURFACES UNLESS OTHERWISE NOTED.

- 1 USE PERMABOND LM113 OR LOCTITE 222.
- 3 USE 1/2 TEFLON TAPE AT ASSEMBLY.
- 4 USE SIKAFLEX-1A POLYURETHANE SEALANT.
- 5 FOR THREADS UP TO \varnothing 2": USE PERMABOND LH050 OR LOCTITE 592. FOR THREADS BIGGER THAN \varnothing 2": USE AGRO "TUF-GLIDE THREAD SEALANT WITH PTFE". CAUTION: USE PIPE SEALANT SPARINGLY, AN EXCESSIVE AMOUNT COULD CLOG AIR LINES.
- 6 USE LOW-TEMP LUBRIPLATE.
- 8 USE PRIMER T AND PERMABOND HH120 OR LOCTITE 277.
- 9 STAMP NAMEPLATE WITH INLET PRESSURE IF DIFFERENT FROM 190 PSI.
- 10 STAMP NAMEPLATE WITH 24V IF IT IS A 24V UNIT.
- 11 SET REGULATOR TO 85 PSI.
- 12 FOR 400GPM ONLY.

PHONE: 330.264.5678 or 800.228.1161 | FAX: 330.264.2944 or 800.531.7335 | www.akronbrass.com

Parts List Sheet:

124655

WARRANTY AND DISCLAIMER*: We warrant Akron Brass products for a period of five (5) years* after purchase against defects in materials or workmanship. Akron Brass will repair or replace product which fails to satisfy this warranty. Repair or replacement shall be at the discretion of Akron Brass. Products must be promptly returned to Akron Brass for warranty service. We will not be responsible for: wear and tear; any improper installation, use, maintenance or storage; negligence of the owner or user; repair or modification after delivery; failure to follow our instructions or recommendations; or anything else beyond our control. WE MAKE NO WARRANTIES, EXPRESS OR IMPLIED, OTHER THAN THOSE INCLUDED IN THIS WARRANTY STATEMENT, AND WE DISCLAIM ANY IMPLIED WARRANTY OF MERCHANTABILITY OR FITNESS FOR ANY PARTICULAR PURPOSE. Further, we will not be responsible for any consequential, incidental or indirect damages (including, but not limited to, any loss of profits) from any cause whatsoever. No person has authority to change this warranty. *Unless otherwise provided herein. Akron Brass industrial electronic components & the Severe-Duty Monitor have a one (1) year warranty. Select Akron Brass handline nozzles and valves carry a ten (10) year warranty. Weldon products have a two (2) year warranty from date of manufacture (excluding consumable components). Select Weldon LED products carry a five (5) year warranty. Honda products have the manufacturers' warranty and Akron Brass disclaims any warranty in respect of those products.



TECHNICAL SERVICE PARTS

STYLE 3465

PRODUCT 300GPM,400GPM,750LPM BUMPER TURRET

Chg.	Date
05	04-14
06	06-14

Find	Description	Item	QTY
1	MOTOR GEARBOX 24V	34650056	1
1	MOTOR GEARBOX 12V	34650055	1
22	SCREW HEX HEAD CAP 3/8 -16 x 1"	761072	4
23	SCREW SOCKET HEAD CAP 10-24 x 1-1/2"	767112	3
38	FITTING TUBE 1/8 NPT x 45°	713067	1
40	SCREW SOCKET HEAD CAP 4-40 x 1/2"	760041	2
41	INSULATION TUBE	773145	11"
42	SCREW SOCKET HEAD CAP 4-40 x 5/8"	767094	2
43	FITTING MALE RUN TEE	713080	2
44	FITTING BULKHEAD CONNECTOR	713081	5
45	ELBOW 90°	710091	7
46	FITTING MALE CONNECTOR	713082	2
47	LABEL WIRING	729123	1
48	PLATE	744493	1
49	NAIL GRIP	736052	4
53	LABEL SPEED CONTROL	729124	1
55	LABEL AIR INLET	729125	1
57	LABEL AIR EXHAUST	729126	1
59	MOUNTING PLATE	109421	1
60	CONNECTOR AIR	707262	1
61	SCREW SOCKET HEAD CAP 1/4-20 x 1-1/2" (300GPM/750LPM)	767096	1
61	SCREW SOCKET HEAD CAP 3/8-16 x 1-3/4" (400GPM)	767142	1
62	BAFFLE (300GPM)	104468	1
62	BAFFLE (750LPM)	104475	1
62	BAFFLE (400GPM)	109584	1
63	SLEEVE PATTERN (300GPM/750LPM)	109304	1
63	SLEEVE PATTERN (400GPM)	109545	1
64	O-RING 2-135 (300GPM/750LPM)	757246	1
64	O-RING 2-143 (400GPM)	757159	2
65	RING RETAINING	758186	1
66	O-RING 2-138	757285	2
67	PISTON CENTER (300GPM/750LPM)	104482	1
67	PISTON CENTER (400GPM)	109547	1
68	O-RING 2-140 (300GPM/750LPM)	757286	1
68	O-RING 2-148 (400GPM)	757332	2
69	PISTON REAR (300GPM/750LPM)	104481	1
69	PISTON REAR (400GPM)	109546	1
70	RING RETAINING (300GPM/750LPM)	758187	1
70	RING RETAINING (400GPM)	758219	1

Find	Description	Item	QTY
71	O-RING 2-038 (300GPM/750LPM)	757287	1
71	O-RING 2-042 (400GPM)	757106	1
72	O-RING 2-141 (300GPM/750LPM)	757323	1
72	O-RING 2-150 (400GPM)	757161	1
73	HOSE BRAIDED 20"	721265	2
74	SHIM BAFFLE BROWN (300GPM/750LPM)	769400	1
74	SHIM BAFFLE BLUE (400GPM)	768218	1
74	SHIM BAFFLE BROWN (400GPM)	768219	1
74	SHIM BAFFLE PINK (400GPM)	768220	2
75	TEE OUTLET (300GPM/750LPM)	104485	1
75	TEE OUTLET (400GPM)	109835	1
76	SCREW HEX HEAD CAP 7/16-14 x 5"	761083	1
77	O-RING 2-013	757095	1
78	O-RING 2-227	757289	2
79	CYLINDER EYE	707266	1
80	SCREW ALLEN HEAD CUP POINT SET 10-24 x 1/4"	765025	1
81	PIN CYLINDER	744302	1
82	O-RING 2-111	757198	1
83	CYLINDER PIVOT	707267	2
84	SCREW SOCKET HEAD CAP 10-24 x 3/4"	767086	4
85	AIR CYLINDER	109216	1
86	SIAMESE	104493	1
87	O-RING 2-238	757036	1
88	BALL BRASS 3/8"	704020*	29
89	ELBOW INLET	117305	1
90	O-RING 2-234	757029	1
91	PLUG SWIVEL	742024	2
92	FITTING GREASE 3/16	713191	1
93	O-RING 2-217	757064	1
94	BEARING	704288	1
95	FITTING 1/8 NPT x 90°	713199	3
96	SCREW 1/2 DOG SET 10-24 x 1/4"	767103	3
97	HOSE BRAIDED 22"	721260	2
98	PLUG PIPE SOCKET HEAD 1/8"	744009	1
99	SCREW SOCKET HEAD CAP 5/16-18 x 1"	766036	2

Find	Description	Item	QTY
101	O-RING 2-010	757005	2
102	SCREW SOCKET HEAD CAP 10-32 x 3/8"	765152	10
103	SCREW HEX HEAD CAP 5/16-18 x 3/4"	761070	4
104	REGULATOR AIR	758190	1
105	FITTING TEE 1/8"	713084	1
106	FITTING ELBOW 1/8"	713085	1
107	BLOCK TERMINAL	704293	1
108	PLUG ACCESS	744303	1
109	BOX JUNCTION	703414	1
110	VALVE CONTROL	779058	3
111	SOLENOID 24V	769464	4
111	SOLENOID 12V	769420	2
112	CONNECTOR BULKHEAD	707265	1
113	WIRING HARNESS 12'	721264	1
120	SCREW SOCKET HEAD CAP 4-40 x 3/8"	767019	4
125	O-RING 2-235	757046	1
126	BRACKET REGULATOR	704779	1
128	BLOCK TERMINAL	704294	1
130	FITTING ELBOW	713075	1
131	HOSE NYLON	721261	60"
132	GRIP 1/4 NPT	718014	1
133	GROMMET RUBBER	718098	1
134	GRIP 3/8 NPT	718141	1
136	JUMPER WIRE	725024	4
145	SCREW SOCKET HEAD CONE POINT SET 7/16-14 x 1/2"	765099	1
146	WASHER FLAT	784093	4
150	BRACKET STOP	104476	1
162	SCREW SOCKET HEAD CAP 5/16-18 X 1/2"	765039	1
200	SOLENOID 12V	779061	2
201	COUNTERBALANCE (400GPM)	104467	1
202	SCREW HEX HEAD CAP 1/4-20 x 1-1/4" (400GPM)	761089	2
203	BRACKET DRIVE (400GPM)	704355	1
204	BRACKET STOP	104476	1

* KIT OF 50 BALLS: 109342

PHONE: 330.264.5678 or 800.228.1161 | FAX: 330.264.2944 or 800.531.7335 | www.akronbrass.com

Parts List Sheet:

124655

WARRANTY AND DISCLAIMER*: We warrant Akron Brass products for a period of five (5) years* after purchase against defects in materials or workmanship. Akron Brass will repair or replace product which fails to satisfy this warranty. Repair or replacement shall be at the discretion of Akron Brass. Products must be promptly returned to Akron Brass for warranty service. We will not be responsible for: wear and tear; any improper installation, use, maintenance or storage; negligence of the owner or user; repair or modification after delivery; failure to follow our instructions or recommendations; or anything else beyond our control. WE MAKE NO WARRANTIES, EXPRESS OR IMPLIED, OTHER THAN THOSE INCLUDED IN THIS WARRANTY STATEMENT, AND WE DISCLAIM ANY IMPLIED WARRANTY OF MERCHANTABILITY OR FITNESS FOR ANY PARTICULAR PURPOSE. Further, we will not be responsible for any consequential, incidental or indirect damages (including, but not limited to, any loss of profits) from any cause whatsoever. No person has authority to change this warranty. *Unless otherwise provided herein. Akron Brass industrial electronic components & the Severe-Duty Monitor have a one (1) year warranty. Select Akron Brass handline nozzles and valves carry a ten (10) year warranty. Weldon products have a two (2) year warranty from date of manufacture (excluding consumable components). Select Weldon LED products carry a five (5) year warranty. Honda products have the manufacturers' warranty and Akron Brass disclaims any warranty in respect of those products.

©Premier Farnell Corporation. 2012 All rights reserved. No portion of this can be reproduced without the express written consent of Premier Farnell Corporation