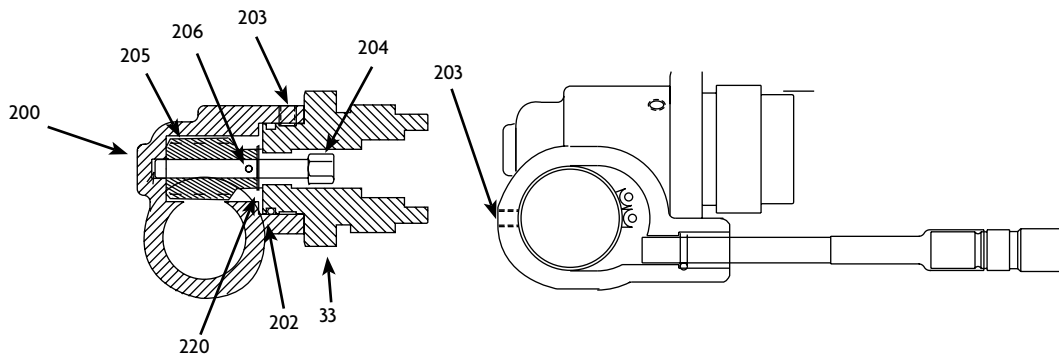
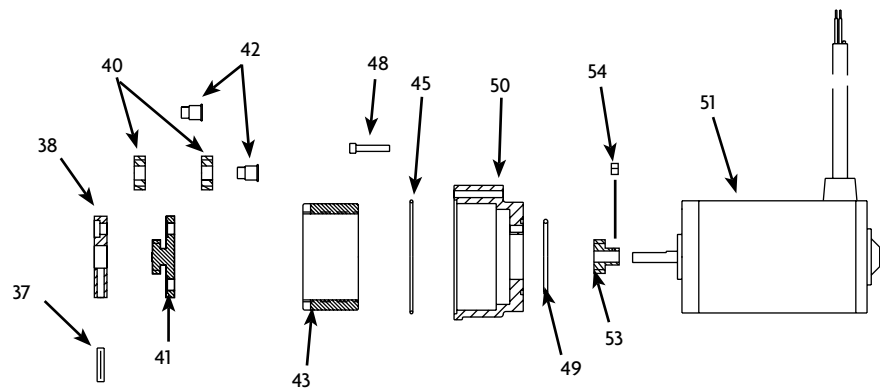
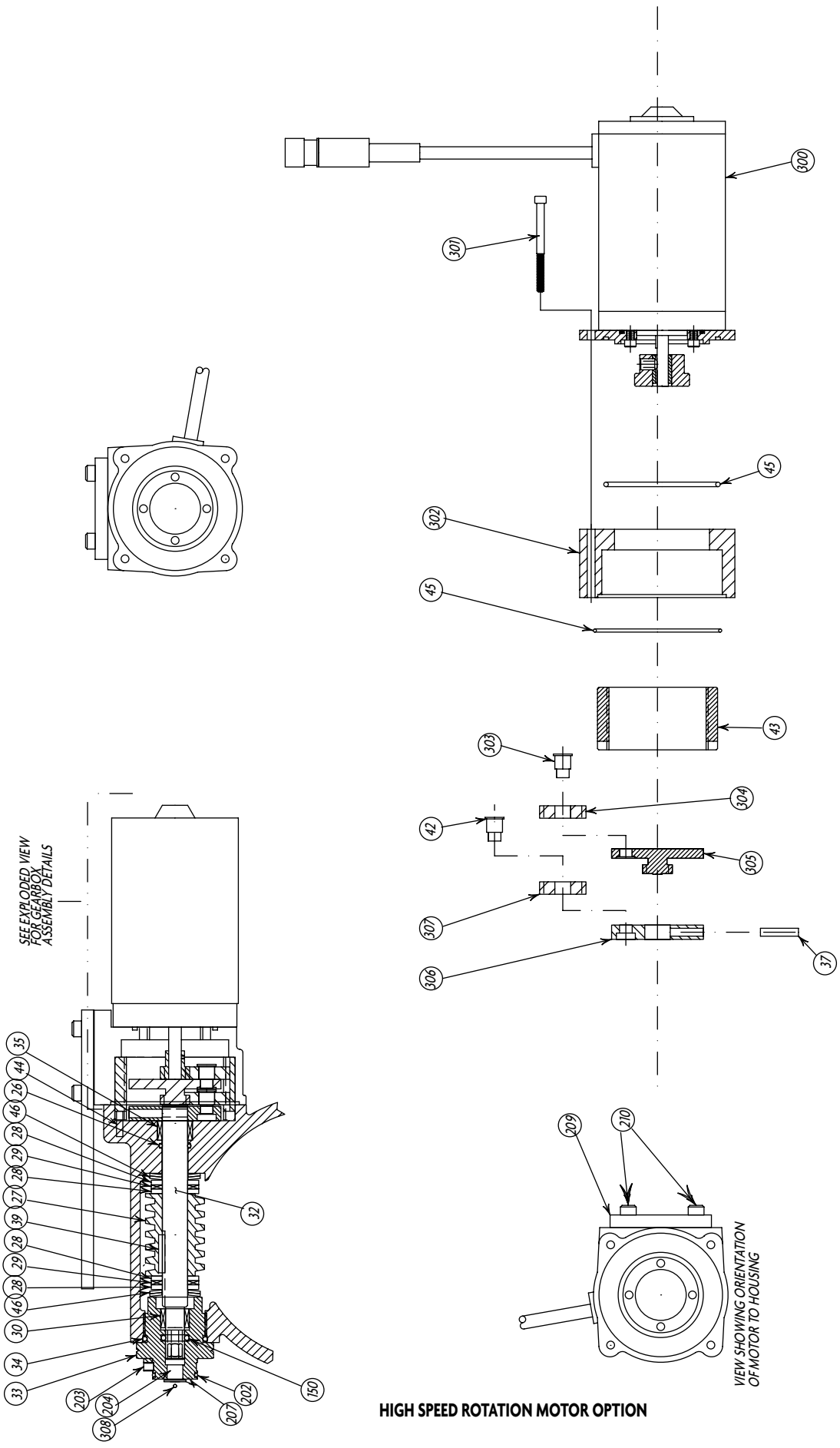


Standard Elevation Motor



Standard Elevation Sensor



HIGH SPEED ROTATION MOTOR OPTION



STYLE 3355
TuckAway™ Electric Monitor
TECHNICAL SERVICE PARTS LIST

| ITEM NO. | DESCRIPTION | PART NO. | QUANTITY | |
|----------|-----------------------|----------|----------|------------|
| | | | STANDARD | HIGH SPEED |
| 2 | FLANGE | 118477 | 1 | 1 |
| 3 | SLEEVE | 119765 | 1 | 1 |
| 4 | MIDDLE ELBOW | 117698 | 1 | 1 |
| 5 | OUTLET ELBOW | 121107 | 1 | 1 |
| 6 | RING BALL RETAINER | 117690 | 1 | 1 |
| 7 | OUTLET GEAR | 117689 | 1 | 1 |
| 8 | O-RING 2-153 | 757327 | 1 | 1 |
| 10 | O-RING 2-339 | 757365 | 2 | 2 |
| 11 | BRASS BALL 3/8 | * | 82 | 82 |
| 12 | SWIVEL PLUG | 742112 | 4 | 4 |
| 13 | VERTICAL STOP | 769596 | 1 | 1 |
| 14 | O-RING 2-158 | 757326 | 1 | 1 |
| 15 | SCREW 1/4-20 X 3/4 | 765030 | 5 | 5 |
| 16 | BALL BRASS 1/2 | ** | 74 | 74 |
| 17 | O-RING 2-249 | 757075 | 1 | 1 |
| 18 | O-RING 2-166 | 757366 | 1 | 1 |
| 20 | PLUG CELCON | 744337 | 1 | 1 |
| 21 | STOP | 769498 | 2 | 2 |
| 22 | SET SCREW 8-32 X 3/16 | 765225 | 1 | 1 |
| 23 | ELEVATION PLUG | 744397 | 4 | 4 |
| 24 | SCREW 1/4-20 X 1 | 765354 | 2 | 2 |
| 26 | O-RING 2-014 | 757041 | 2 | 2 |
| 27 | WORM GEAR | 718273 | 2 | 2 |
| 28 | THRUST WASHER | 784121 | 8 | 8 |
| 29 | NEEDLE BEARING | 703453 | 4 | 4 |
| 30 | BEARING | 704393 | 2 | 2 |
| 31 | SHAFT | 769630 | 1 | 1 |
| 32 | SHAFT | 769631 | 1 | 1 |
| 32 | SHAFT (HIGH SPEED) | 770352 | 1 | 1 |
| 33 | BEARING CAP | 121467 | 2 | 2 |
| 34 | O-RING 2-121 | 757329 | 2 | 2 |
| 35 | NEEDLE ROLLER BEARING | 704395 | 2 | 2 |
| 37 | GROOVE PIN 5/32 X 3/4 | 741056 | 2 | 2 |
| 38 | OUTPUT CARRIER | 707325 | 2 | 2 |
| 39 | SPECIAL KEY | 727044 | 2 | 2 |
| 40 | PLANET GEAR | 718165 | 12 | 12 |
| 41 | CARRIER PLATE | 742119 | 2 | 2 |
| 42 | SHORT RIVET | 754042 | 12 | 12 |
| 43 | ELEVATION GEAR | 718164 | 2 | 2 |
| 44 | ROLL PIN 1/8 X 1/2 | 744288 | 4 | 4 |
| 45 | O-RING 2-036 | 757312 | 2 | 2 |
| 46 | SPRING | 769276 | 8 | 8 |
| 47 | SCREW 6-32 X 1-3/8 | 767132 | 8 | 8 |
| 48 | SCREW 6-32 X 1/2 | 765052 | 8 | 8 |
| 49 | O-RING 2-029 | 757056 | 2 | 2 |
| 50 | GEARBOX HOUSING | 109320 | 1 | 1 |
| 51 | MOTOR S/A | 35781101 | 2 | 1 |

| ITEM NO. | DESCRIPTION | PART NO. | QUANTITY | |
|----------|---------------------|----------|----------|------------|
| | | | STANDARD | HIGH SPEED |
| 94 | ID TAG | 773330 | 1 | 1 |
| 94 | ID TAG (HIGH SPEED) | 773493 | 1 | 1 |
| 95 | GRIP NAIL | 736052 | 4 | 4 |
| 96 | SCREW 8-32 X 1/2 | 765155 | 2 | 1 |
| 97 | CLAMP | 707499 | 2 | 2 |
| 98 | SCREW 10-24 X 1-3/4 | 767126 | 4 | 4 |
| 100 | HARNES | 721364 | 1 | 1 |
| 150 | O-RING 2-110 | 757295 | 2 | 2 |
| 201 | POTTED SENSOR | 33520003 | 2 | 1 |
| 202 | O-RING 2-018 | 757042 | 2 | 2 |
| 203 | SCREW 8-32 X 3/16 | 765042 | 4 | 4 |
| 204 | SHAFT | 769641 | 2 | 2 |
| 205 | PATT ACTUATOR WORM | 785021 | 2 | 2 |
| 206 | ROLL PIN 1/16 X 3/8 | 744341 | 2 | 2 |
| 207 | WASHER | 784072 | 2 | 2 |
| 208 | GEARBOX HOUSING | 119762 | 1 | 1 |
| 209 | MOUNTING PLATE | 119764 | 1 | 1 |
| 210 | SCREW 1/4-20 X 1/2 | 765014 | 4 | 4 |
| 211 | SLIDER | 119763 | 1 | 1 |
| 212 | WRAP | 785024 | 2 | 2 |
| 300 | MOTOR S/A | 33550008 | - | 1 |
| 301 | SCREW 6-32 X 1-3/4 | 765353 | - | 4 |
| 302 | GEARBOX HOUSING | 123862 | - | 1 |
| 303 | SHORT RIVET | 758323 | - | 4 |
| 304 | GEAR | 718300 | - | 4 |
| 305 | SHORT CARRIER PLATE | 742242 | - | 1 |
| 306 | CARRIER SQ. DRIVE | 707476 | - | 1 |
| 307 | PLANET GEAR | 718136 | - | 4 |
| 308 | SENSOR POTTED | 33550009 | - | 1 |
| 309 | SCREW 6-31 X1-3/4 | 765353 | - | 4 |
| 310 | O-RING 2-034 | 757200 | - | 1 |

*Packet of 50 Balls #109342

**Packet of 50 Balls #116252



ISO 9001 REGISTERED COMPANY

PHONE: 330.264.5678 or 800.228.1161 | FAX: 330.264.2944 or 800.531.7335 | akronbrass.com

REVISED: 4/13

WARRANTY AND DISCLAIMER: We warrant Akron Brass products for a period of five (5) years after purchase against defects in materials or workmanship. Akron Brass will repair or replace product which fails to satisfy this warranty. Repair or replacement shall be at the discretion of Akron Brass. Products must be promptly returned to Akron Brass for warranty service.

We will not be responsible for: wear and tear; any improper installation, use, maintenance or storage; negligence of the owner or user; repair or modification after delivery; damage; failure to follow our instructions or recommendations; or anything else beyond our control. WE MAKE NO WARRANTIES, EXPRESS OR IMPLIED, OTHER THAN THOSE INCLUDED IN THIS WARRANTY STATEMENT, AND WE DISCLAIM ANY IMPLIED WARRANTY OF MERCHANTABILITY OR FITNESS FOR ANY PARTICULAR PURPOSE. Further, we will not be responsible for any consequential, incidental or indirect damages (including, but not limited to, any loss of profits) from any cause whatsoever. No person has authority to change this warranty.

© Akron Brass Company. 2011 All rights reserved. No portion of this can be reproduced without the express written consent of Akron Brass Company.