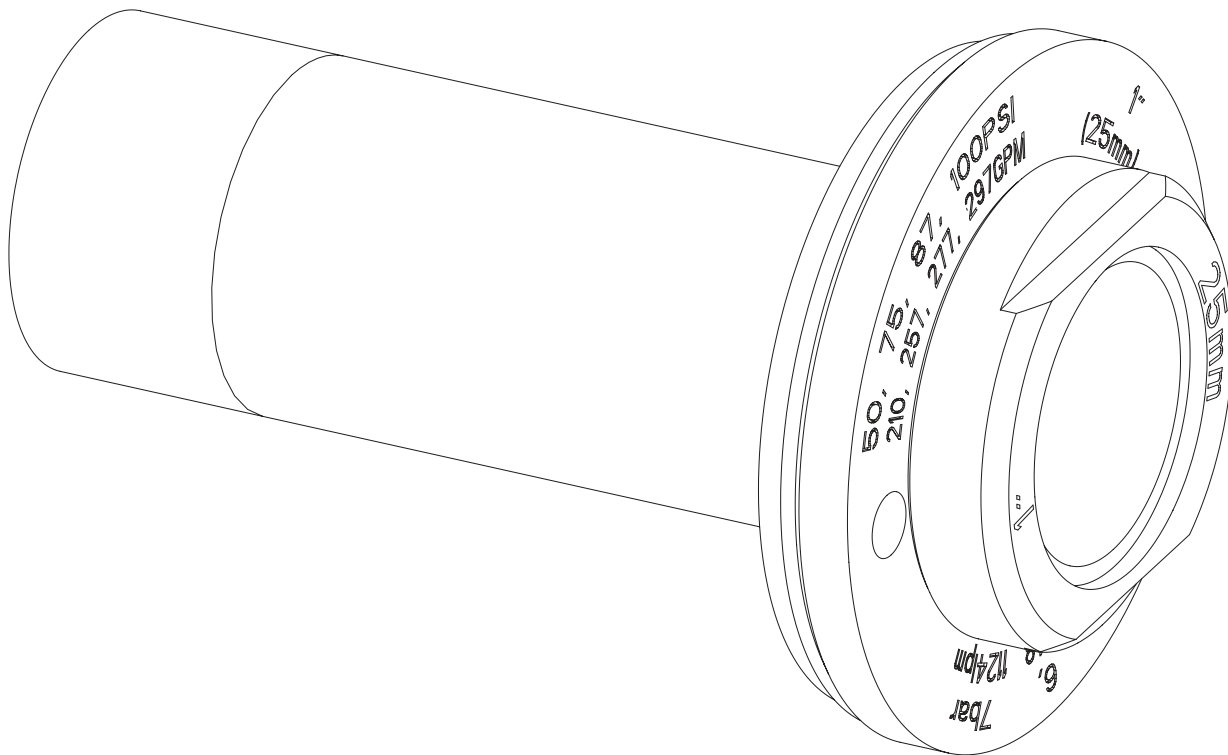




STYLE 1820 ULTRAJET™ NOZZLE TIP ASSEMBLY INSTALLATION INSTRUCTIONS

The following is intended to provide the basic instructions for installation, operation, and maintenance. Read and understand these installation instructions before use.



WARNING Read and follow the operating instructions before use.

WARNING For firefighting use only.

Tools Required

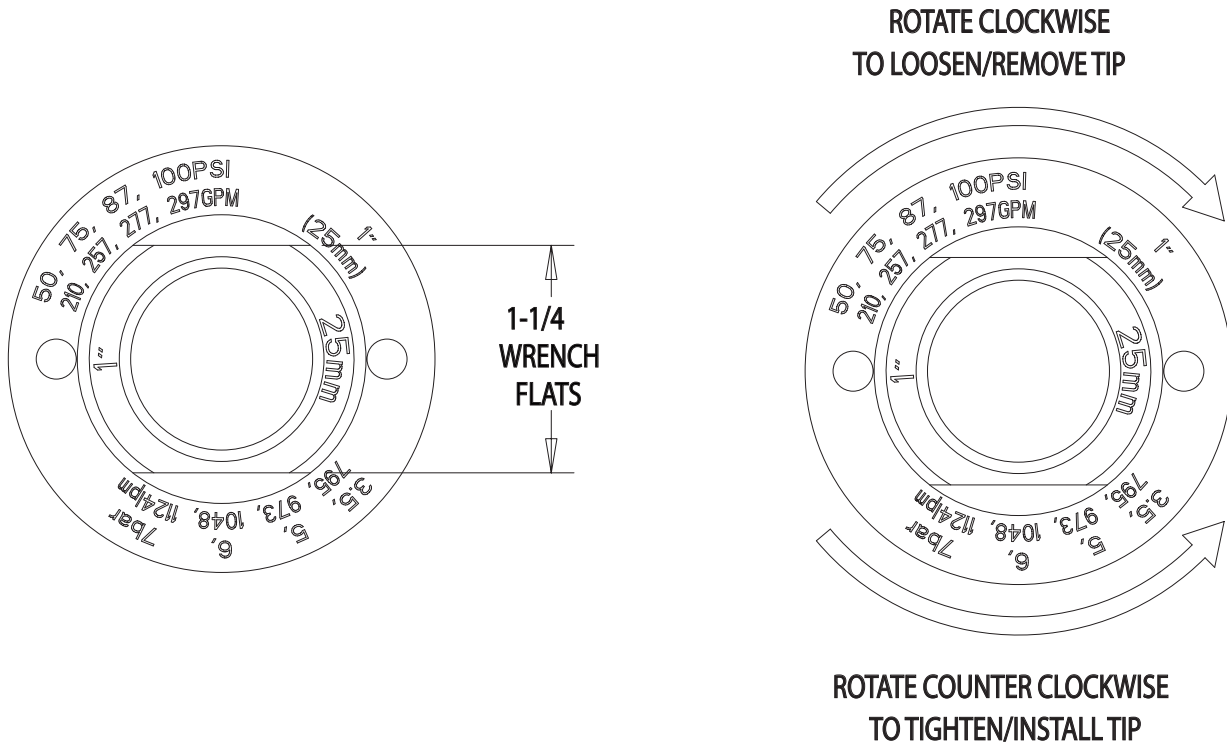
- 1-1/4" Open Ended Wrench
- Or Equivalent Crescent Wrench in Place of Open Ended Wrench
- Loctite 222 or Permabond LM113

Product Warnings

WARNING	• Indicates a hazardous situation which, if not avoided, WILL result in death or serious injury.
DANGER	• Indicates a hazardous situation which, if not avoided, COULD result in death or serious injury.
CAUTION	• Indicates a potentially hazardous situation which, if not avoided, may result in minor or moderate injury.
NOTICE	• Addresses practices not related to personal injury.

Tip Removal

1. Position the Ultrajet™ pattern sleeve in the wide fog position.
2. Using a 1-1/4" open ended wrench or equivalent crescent wrench, grasp the end of the discharge tube across the wrench flats.
3. Rotate the discharge tube in a clockwise direction to loosen. The discharge tube is manufactured with left hand threads instead of the more common right hand threads.
4. Unscrew completely and remove the discharge tube along with the baffle assembly.

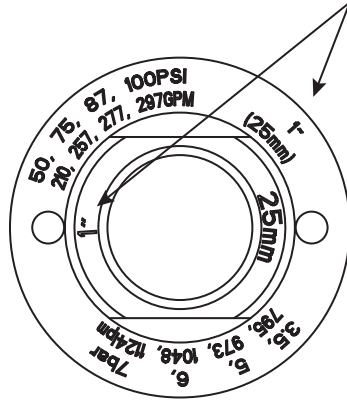


Tip Installation

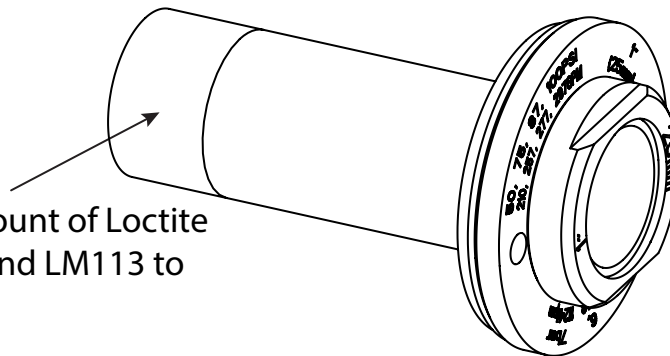
CAUTION

The tip kit includes a smooth bore tip and a pretested baffle assembly. To ensure balanced flow between the smooth bore and the fog pattern, make sure the tip size etched on the end of the smooth bore matches the tip size etched on the face of the baffle head assembly. Failure to match these two numbers will result in different flows through the Ultrajet™ smooth bore and fog pattern.

These two numbers must match.



Apply small amount of Loctite 222 or Permabond LM113 to thread



1. Position the Ultrajet™ pattern sleeve in the wide fog position.
2. The replacement tip must be assembled as shown above. For individual components reference the original parts list supplied with the Ultrajet™.
3. Apply a small amount of Loctite 222 or Permabond LM113 to the male thread on the end of the smooth bore tip.
4. Insert the smooth bore tip into the nozzle and turn counter clockwise until the smooth bore tip hits full insertion and will not turn further.
5. Position the 1-1/4" open end wrench or equivalent crescent wrench on the wrench flats and tighten fully.
6. Operate the pattern sleeve through its full range of motion to check for proper operation.
7. Allow the nozzle to sit for about one hour to allow the Loctite/Permabond to cure before flowing the nozzle.

NOTICE

Prior to using the Ultrajet™ after the smooth bore replacement, review the operating instructions that are supplied with the nozzle.



Tested—Proven—Trusted.

ISO 9001 REGISTERED COMPANY

PHONE: 330.264.5678 or 800.228.1161 | FAX: 330.264.2944 or 800.531.7335 | akronbrass.com

REVISED: 06/17

WARRANTY AND DISCLAIMER: We warrant Akron Brass products for a period of five (5) years after purchase against defects in materials or workmanship. Akron Brass will repair or replace product which fails to satisfy this warranty. Repair or replacement shall be at the discretion of Akron Brass. Products must be promptly returned to Akron Brass for warranty service.

We will not be responsible for: wear and tear; any improper installation, use, maintenance or storage; negligence of the owner or user; repair or modification after delivery; damage; failure to follow our instructions or recommendations; or anything else beyond our control. WE MAKE NO WARRANTIES, EXPRESS OR IMPLIED, OTHER THAN THOSE INCLUDED IN THIS WARRANTY STATEMENT, AND WE DISCLAIM ANY IMPLIED WARRANTY OF MERCHANTABILITY OR FITNESS FOR ANY PARTICULAR PURPOSE. Further, we will not be responsible for any consequential, incidental or indirect damages (including, but not limited to, any loss of profits) from any cause whatsoever. No person has authority to change this warranty.

© Akron Brass Company, 2017 All rights reserved. No portion of this can be reproduced without the express written consent of Akron Brass Company.