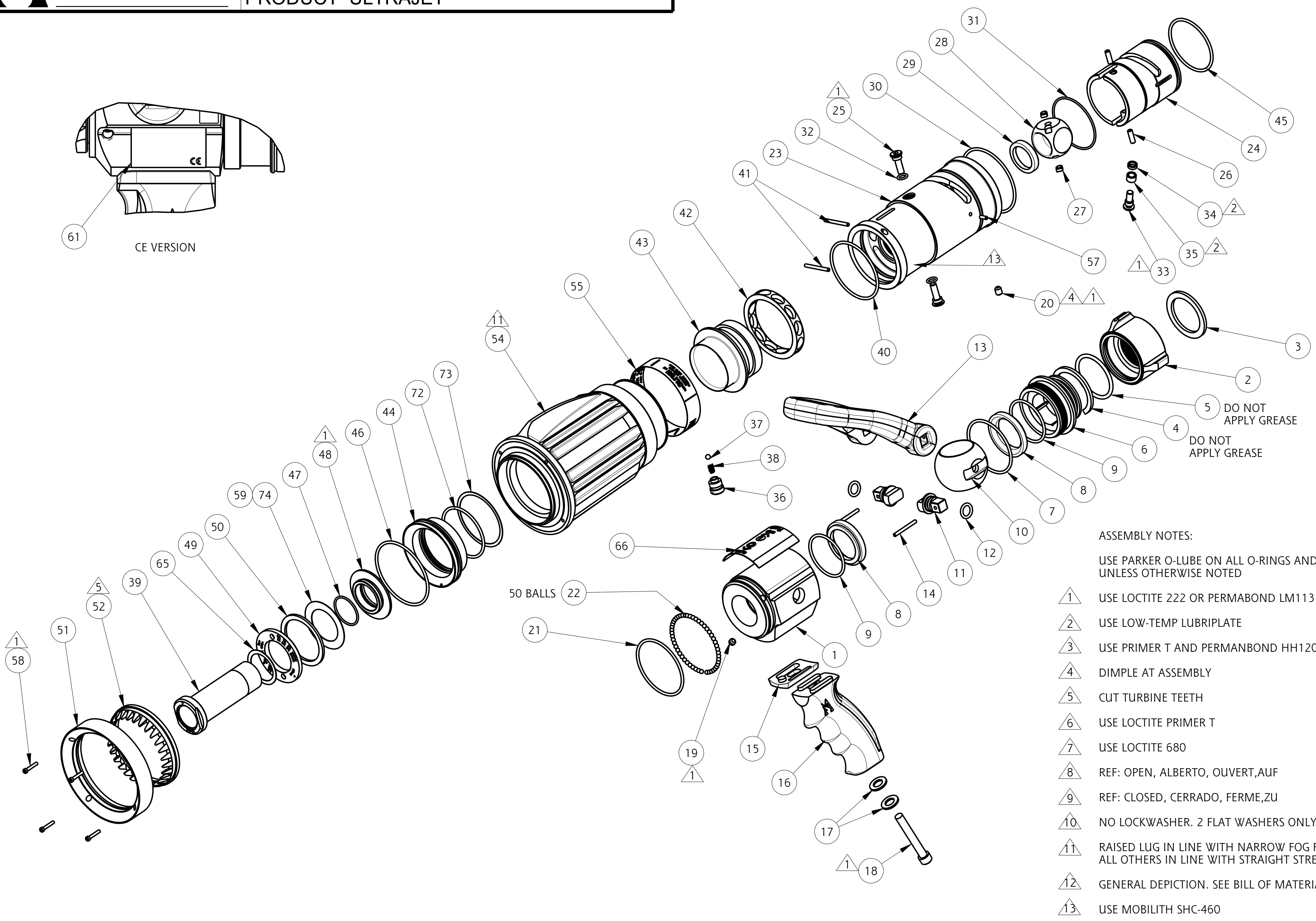
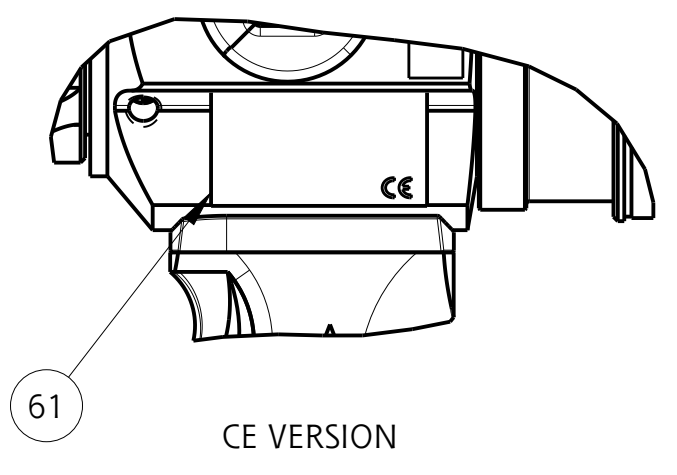


Chg.	Date
10	04-18
11	07-18



DO NOT APPLY GREASE
DO NOT APPLY GREASE

- ASSEMBLY NOTES:
- USE PARKER O-LUBE ON ALL O-RINGS AND MATING SURFACES UNLESS OTHERWISE NOTED
 - 1 USE LOCTITE 222 OR PERMABOND LM113
 - 2 USE LOW-TEMP LUBRIPLATE
 - 3 USE PRIMER T AND PERMANBOND HH120 OR LOCTITE 277
 - 4 DIMPLE AT ASSEMBLY
 - 5 CUT TURBINE TEETH
 - 6 USE LOCTITE PRIMER T
 - 7 USE LOCTITE 680
 - 8 REF: OPEN, ALBERTO, OUVERT,AUF
 - 9 REF: CLOSED, CERRADO, FERME,ZU
 - 10 NO LOCKWASHER. 2 FLAT WASHERS ONLY
 - 11 RAISED LUG IN LINE WITH NARROW FOG FOR CE NOZZLES. ALL OTHERS IN LINE WITH STRAIGHT STREAM.
 - 12 GENERAL DEPICTION. SEE BILL OF MATERIAL
 - 13 USE MOBILITH SHC-460

PHONE: 330.264.5678 or 800.228.1161 | FAX: 330.264.2944 or 800.531.7335 | www.akronbrass.com

Parts List Sheet:

126136

WARRANTY AND DISCLAIMER*: We warrant Akron Brass products for a period of five (5) years* after purchase against defects in materials or workmanship. Akron Brass will repair or replace product which fails to satisfy this warranty. Repair or replacement shall be at the discretion of Akron Brass. Products must be promptly returned to Akron Brass for warranty service. We will not be responsible for: wear and tear; any improper installation, use, maintenance or storage; negligence of the owner or user; repair or modification after delivery; failure to follow our instructions or recommendations; or anything else beyond our control. WE MAKE NO WARRANTIES, EXPRESS OR IMPLIED, OTHER THAN THOSE INCLUDED IN THIS WARRANTY STATEMENT, AND WE DISCLAIM ANY IMPLIED WARRANTY OF MERCHANTABILITY OR FITNESS FOR ANY PARTICULAR PURPOSE. Further, we will not be responsible for any consequential, incidental or indirect damages (including, but not limited to, any loss of profits) from any cause whatsoever. No person has authority to change this warranty. *Unless otherwise provided herein. Akron Brass industrial electronic components & the Severe-Duty Monitor have a one (1) year warranty. Select Akron Brass handline nozzles and valves carry a ten (10) year warranty. Scene Star Lights carry a (6) year warranty. Weldon products have a two (2) year warranty from date of manufacture (excluding consumable components). Select Weldon LED products carry a five (5) year warranty. Honda products have the manufacturers' warranty and Akron Brass disclaims any warranty in respect of those products.

© 2016 Akron Brass Company. All rights reserved. No portion of this can be reproduced without the express written consent of the Akron Brass Company.



TECHNICAL SERVICE PARTS

STYLE 1820

PRODUCT ULTRAJET

IF AN ITEM IS NOTED AS "NOT FIELD REPAIRABLE", OR YOU WISH TO RETURN AN ITEM TO AKRON BRASS FOR SERVICE PLEASE GO ONLINE TO, **ONLINEREPAIR.AKRONBRASS.COM**

Chg.	Date
10	04-18
11	07-18

Find	Description	Item	Qty.
			1820
1	BODY S/O	126092	1
2	A SWIVEL 1.5 NH	-	1
3	A GASKET	717042	1
4	A PISTON RING	-	1
5	A O-RING 2-224	-	1
6	A SWIVEL ADAPTER	-	1
7	O-RING 2-140	757265	1
8	SEAT	769243	2
9	O-RING 2-132	757422	2
10	BALL	704029	1
11	TRUNNION	107860	2
12	O-RING 2-111	757269	2
13	SHUT OFF HANDLE-BLACK	721427	1
14	ROLL PIN 1/8 X 1-1/4	744062	2
15	PISTOL GRIP SPACER	769994	1
16	PISTOL GRIP-BLACK	718233	1
17	FLAT WASHER 5/16	784093	2
18	SCREW 5/16-18 X 2-1/4	763064	1
19	SET SCREW CUP POINT 1/4-20 X 3/16	765008	1
20	SET SCREW CUP POINT 1/4-20 X 5/16	765047	1
21	O-RING 2-142	757493	1
22	C BALL BRASS Ø 5/32"	-	50
23	NOZZLE BODY	126920	1
24	BALL SLIDER	126093	1
25	TIP-BALL TRUNNION	773561	2
26	DOWEL PIN	744539	2
27	BALL INSERT	803258	2
28	TIP-BALL SHUTOFF	803257	1
29	TIP- BALL SEAL	770445	1
30	O-RING 2-146	757413	1
31	O-RING 2-034	757495	1
32	O-RING 2-011	757254	2
33	CAM AXLE	702233	1
34	SHORT CAM ROLLER	807115	1
35	LONG CAM ROLLER	758227	1
36	CAM SCREW	765392	1
37	BALL ST STL Ø 3/16"	704018	1
38	SPRING (CE VERSION)	768448	1
39	B TIP 1"	-	1
39	B TIP 15/16"	-	1
39	B TIP 7/8"	-	1
39	B TIP 3/4"	-	1

Find	Description	Item	Qty.
			1820
40	O-RING 2-143	757496	1
41	DOWEL PIN	744538	1
42	WAVE SPRING	768476	2
43	THROAT	126763	1
44	THROAT SLEEVE	126764	1
45	O-RING 2-139	757497	1
46	O-RING 2-146	757228	1
47	B O-RING 2-025	-	1
48	B BAFFLE HEAD	-	1
49	B GASKET RETAINER 1"	-	1
49	B GASKET RETAINER 15/16"	-	1
49	B GASKET RETAINER 7/8"	-	1
49	B GASKET REATINER 3/4"	-	1
50	B BAFFLE GASKET	714231	1
51	TURBINE RETAINER BLACK	126106	1
52	TURBINE TEETH	772314	1
54	PATTERN SLEEVE W/BUMPER	803197	1
55	PATTERN ID BAND 1820	803060	1
57	DISCHARGE KEY	727045	1
58	SCREW 4-40 X 5/8	767094	4
59	B BAFFLE HEAD SHIM	-	-
61	CE LABEL	729834	1
65	B SHIM .005	-	-
65	B SHIM .010	-	-
65	B SHIM .015	-	-
66	OPEN/CLOSE LABEL	729833	1
67	SET SCREW 5/16-18 X 1/4	765071	-
72	O-RING 2-138	757507	1
73	SHIM	768491	1
74	B BAFFLE HEAD SHIM	-	-
A	1.50"NH SWIVEL ASSEMBLY	45290002	
	1" TIP ASSEMBLY	18150002	
B	15/16" TIP ASSEMBLY	18150003	
	7/8" TIP ASSEMBLY	18150004	
	3/4" TIP ASSEMBLY	18150005	
C	KIT OF 50 BALLS Ø 5/32" BRASS	109042	

PHONE: 330.264.5678 or 800.228.1161 | FAX: 330.264.2944 or 800.531.7335 | www.akronbrass.com

Parts List Sheet:

126136

WARRANTY AND DISCLAIMER*: We warrant Akron Brass products for a period of five (5) years* after purchase against defects in materials or workmanship. Akron Brass will repair or replace product which fails to satisfy this warranty. Repair or replacement shall be at the discretion of Akron Brass. Products must be promptly returned to Akron Brass for warranty service. We will not be responsible for: wear and tear; any improper installation, use, maintenance or storage; negligence of the owner or user; repair or modification after delivery; failure to follow our instructions or recommendations; or anything else beyond our control. WE MAKE NO WARRANTIES, EXPRESS OR IMPLIED, OTHER THAN THOSE INCLUDED IN THIS WARRANTY STATEMENT, AND WE DISCLAIM ANY IMPLIED WARRANTY OF MERCHANTABILITY OR FITNESS FOR ANY PARTICULAR PURPOSE. Further, we will not be responsible for any consequential, incidental or indirect damages (including, but not limited to, any loss of profits) from any cause whatsoever. No person has authority to change this warranty. *Unless otherwise provided herein. Akron Brass industrial electronic components & the Severe-Duty Monitor have a one (1) year warranty. Select Akron Brass handline nozzles and valves carry a ten (10) year warranty. Scene Star Lights carry a (6) year warranty. Weldon products have a two (2) year warranty from date of manufacture (excluding consumable components). Select Weldon LED products carry a five (5) year warranty. Honda products have the manufacturers' warranty and Akron Brass disclaims any warranty in respect of those products.

© 2016 Akron Brass Company. All rights reserved. No portion of this can be reproduced without the express written consent of the Akron Brass Company.