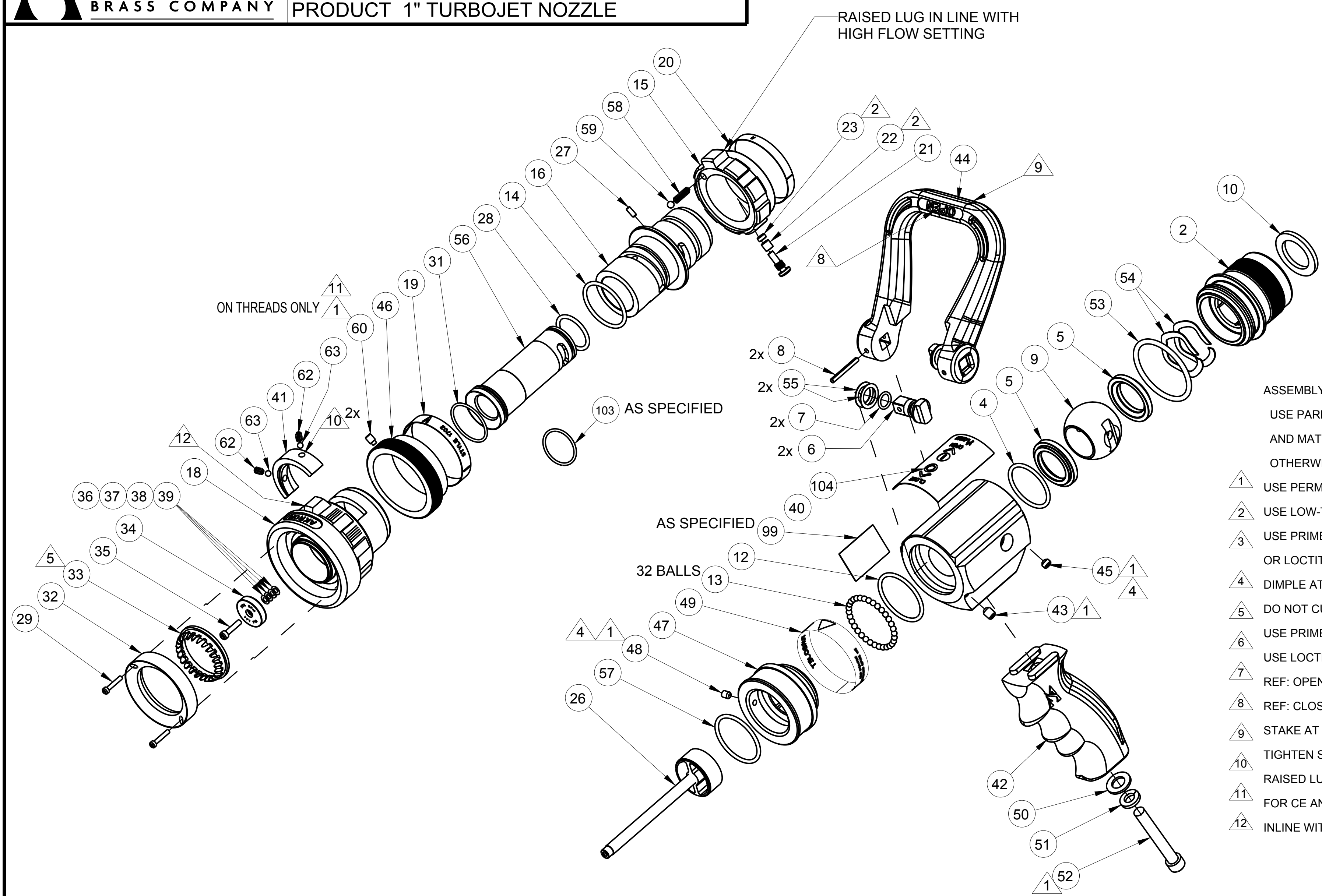




**TECHNICAL SERVICE PARTS**  
**STYLE 1701, 1702, 1704, 1772**  
**PRODUCT 1" TURBOJET NOZZLE**

IF AN ITEM IS NOTED AS "NOT FIELD REPAIRABLE", OR YOU WISH TO RETURN AN ITEM TO AKRON BRASS FOR SERVICE PLEASE GO ONLINE TO, **ONLINEREPAIR.AKRONBRASS.COM**

Chg.	Date
17	04-17
18	9-17



- ASSEMBLY NOTES:**
- USE PARKER O-LUBE ON ALL O-RINGS AND MATING SURFACES UNLESS OTHERWISE NOTED.
  - ▲1 USE PERMABOND LM113 OR LOCTITE 222.
  - ▲2 USE LOW-TEMP LUBRIPLATE.
  - ▲3 USE PRIMER T AND PERMABOND HH120 OR LOCTITE 277.
  - ▲4 DIMPLE AT ASSEMBLY.
  - ▲5 DO NOT CUT TURBINE TEETH.
  - ▲6 USE PRIMER T.
  - ▲7 USE LOCTITE 680.
  - ▲7 REF: OPEN, ABIERTO, OUVERT, AUF.
  - ▲8 REF: CLOSED, CERRADO, FERME, ZU.
  - ▲9 STAKE AT ASSEMBLY.
  - ▲10 TIGHTEN SCREW.
  - ▲11 RAISED LUG IN LINE WITH NARROW FOG
  - ▲11 FOR CE AND MED NOZZLES ALL OTHERS
  - ▲12 IN LINE WITH STRAIGHT STREAM.

PHONE: 330.264.5678 or 800.228.1161 | FAX: 330.264.2944 or 800.531.7335 | [www.akronbrass.com](http://www.akronbrass.com)

Parts List Sheet:

**120816**

**WARRANTY AND DISCLAIMER\*:** We warrant Akron Brass products for a period of five (5) years\* after purchase against defects in materials or workmanship. Akron Brass will repair or replace product which fails to satisfy this warranty. Repair or replacement shall be at the discretion of Akron Brass. Products must be promptly returned to Akron Brass for warranty service. We will not be responsible for: wear and tear; any improper installation, use, maintenance or storage; negligence of the owner or user; repair or modification after delivery; failure to follow our instructions or recommendations; or anything else beyond our control. **WE MAKE NO WARRANTIES, EXPRESS OR IMPLIED, OTHER THAN THOSE INCLUDED IN THIS WARRANTY STATEMENT, AND WE DISCLAIM ANY IMPLIED WARRANTY OF MERCHANTABILITY OR FITNESS FOR ANY PARTICULAR PURPOSE.** Further, we will not be responsible for any consequential, incidental or indirect damages (including, but not limited to, any loss of profits) from any cause whatsoever. No person has authority to change this warranty. \*Unless otherwise provided herein. Akron Brass industrial electronic components & the Severe-Duty Monitor have a one (1) year warranty. Select Akron Brass handline nozzles and valves carry a ten (10) year warranty. Scene Star Lights carry a (6) year warranty. Weldon products have a two (2) year warranty from date of manufacture (excluding consumable components). Select Weldon LED products carry a five (5) year warranty. Honda products have the manufacturers' warranty and Akron Brass disclaims any warranty in respect of those products.

© 2016 Akron Brass Company. All rights reserved. No portion of this can be reproduced without the express written consent of the Akron Brass Company.



**TECHNICAL SERVICE PARTS**  
**STYLE 1701, 1702, 1704, 1772**  
**PRODUCT 1" TURBOJET NOZZLE**

IF AN ITEM IS NOTED AS "NOT FIELD REPAIRABLE", OR YOU WISH TO RETURN AN ITEM TO AKRON BRASS FOR SERVICE PLEASE GO ONLINE TO, **ONLINEREPAIR.AKRONBRASS.COM**

Chg.	Date
17	04-17
18	9-17

Find	Description	Item	QTY 1701	QTY 1702	QTY 1704	QTY 1772		
2	##	SWIVEL 1"NH	48010006	1	1	1	-	
2	##	SWIVEL 1"BSP	48010007	1	1	1	-	
2	##	SWIVEL 1"NPSH	48012002	1	1	1	-	
4	A	O-RING 2-125	757281	1	1	1	1	
5	A	SEAT NOZZLE	769245	2	2	2	2	
6		TRUNNION	109440	2	2	2	2	
7	A	O-RING 2-012	757282	2	2	2	2	
8	A	PIN ROLL 1/8" x 1-1/8"	744080	2	2	2	2	
9	A	BALL CELCON 1"	704490	1	1	1	1	
10	*,A	GASKET	717047	1	1	1	-	
12	C	O-RING 2-128	757283	1	1	1	1	
13	B	BALL BRASS 5/32"DIA.	-	32	32	32	32	
14	C	O-RING 2-126	757311	1	1	1	1	
15		RING GALLONAGE CNTL W/RSD LUG BLK	758271	1	1	1	1	
16		BODY NOZZLE 13-60 GPM	120708	1	1	-	-	
16		BODY NOZZLE 18-30 GPM	120710	-	-	1	-	
16		BODY NOZZLE 13-30 GPM	124329	-	-	1	-	
16		BODY NOZZLE 50-230 LPM	124722	-	-	-	1	
17		SLEEVE PATTERN	124721	-	-	-	1	
18		PATTERN SLEEVE WITH BUMPER (BLACK)	17020520	1	1	1	-	
19		PATTERN INDICATOR BAND	(SEE CHART ON NEXT SHEET)					
20		FLOW CONTROL BAND	(SEE CHART ON NEXT SHEET)					
21	C	AXLE CAM	707252	1	1	1	1	
22	C	ROLLER CAM UPPER	758211	1	1	1	1	
23	C	ROLLER CAM LOWER	758210	1	1	1	1	
26		SPIDER/STEM ASSEMBLY	124379	1	1	1	-	
26		SPIDER/STEM ASSEMBLY	124733	-	-	-	1	
27	C	KEY DISCHARGE	727034	1	1	1	1	
28	C	O-RING 2-021	757344	1	1	1	1	
29		SCREW SOCKET HEAD CAP #4-40 x 5/8"	767094	2	2	2	2	
31	C	O-RING 2-025	757242	1	1	1	1	
32		RETAINER TURBINE	756207	1	1	1	-	
32		RETAINER TURBINE	124296	-	-	-	1	
33	A,C	TURBINE TEETH	772024	1	1	1	1	
34		BAFFLE 75psi/5bar/500kPa	121144	1	1	1	-	
34		BAFFLE 100psi/7bar/700kPa	121391	1	1	1	-	
34		BAFFLE 100psi/7bar/700kPa	124298	-	-	-	1	
34		BAFFLE 87psi/6bar/600kPa	124862	-	-	-	1	
35		SCREW SOCKET HEAD CAP #6-32 x 5/8"	765179	1	1	1	1	

Find	Description	Item	QTY 1701	QTY 1702	QTY 1704	QTY 1772	
36	***	SHIM BAFFLE BLUE PLASTIC	769545	-	-	-	-
37	***	SHIM BAFFLE BROWN PLASTIC	769546	-	-	-	-
38	***	SHIM BAFFLE PINK PLASTIC	769547	-	-	-	-
39	***	SHIM BAFFLE GREEN PLASTIC	769548	-	-	-	-
40		SHUTOFF BODY	107898	1	-	-	-
40		SHUTOFF BODY	102245	-	1	1	1
41		INSERT CAM	723023	1	1	1	-
41		INSERT CAM	723070	-	-	-	1
42		PISTOL GRIP	(SEE CHART ON NEXT SHEET)				
43		SCREW SOCKET HEAD CUP POINT SET 1/4 -20 x 1/4"	766015	1	1	1	1
44		HANDLE SHUT OFF	(SEE CHART ON NEXT SHEET)				
45		SCREW ALLEN HEAD 1/4 -20 x 3/16"	765008	1	1	1	1
46		RING PATTERN SLEEVE	758335	1	1	1	1
47		ADPTER BASE	120706	1	1	1	1
48		SCREW ALLEN HEAD CUP POINT SET #10-24 x 1/4"	765025	1	1	1	1
49	C	BAND INDICATOR	703675	1	1	1	1
50		WASHER FLAT 5/16	784093	-	1	1	1
51		WASHER LOCK 5/16	784090	-	1	1	1
52		SCREW SOCKET HEAD 5/16-18 x 2-1/4"	763064	-	1	1	1
53	A	O-RING 2-225	757375	1	1	1	1
54		SPRING	768272	2	2	2	2
55		SHIM	769351	4	4	4	4
56		TUBE DISCHARGE (1701, 1702) 13-60 GPM	117415	1	1	-	-
56	###	TUBE DISCHARGE (1704) 18-30 GPM [2]	118698	-	-	1	-
56	###	TUBE DISCHARGE (1704) 13-30 GPM [3]	118760	-	-	1	-
56		TUBE DISCHARGE (1772) 50-230 LPM 6 bar/7 bar	124725	-	-	-	1
57	C	O-RING 2-127	757048	1	1	1	1
58	C	SPRING DETENT	769111	1	1	1	1
59	C	BALL 3/16" DIA.	704018	1	1	1	1
60		SCREW SOCKET HEAD FULL DOG SET #6-32 X 1/4"	767191	1	1	1	1
62	C	SPRING	768293	2	2	2	2
63	C	BEARING BALL 5/32 DIA.	704585	2	2	2	2
99		LABEL "CE"	729510	1	1	1	-
99		LABEL "SOLAS/MED"	729809	-	1	-	1
99		LABEL "FM"	729669	-	1	-	-
103		O-RING 2-022	757053	-	-	-	1
104		LABEL OPEN/CLOSE	729860	1	1	1	1
A		FIELD SERVICE KIT (FOR 2000-CURRENT)	91800001				
B		KIT OF 50 BALLS 5/32" DIAMETER	109042				
C		1" TURBOJET REPAIR KIT DISCHARGE END	17020526				

PHONE: 330.264.5678 or 800.228.1161 | FAX: 330.264.2944 or 800.531.7335 | www.akronbrass.com

Parts List Sheet:

**120816**

**WARRANTY AND DISCLAIMER:** We warrant Akron Brass products for a period of five (5) years\* after purchase against defects in materials or workmanship. Akron Brass will repair or replace product which fails to satisfy this warranty. Repair or replacement shall be at the discretion of Akron Brass. Products must be promptly returned to Akron Brass for warranty service. We will not be responsible for: wear and tear; any improper installation, use, maintenance or storage; negligence of the owner or user; repair or modification after delivery; failure to follow our instructions or recommendations; or anything else beyond our control. WE MAKE NO WARRANTIES, EXPRESS OR IMPLIED, OTHER THAN THOSE INCLUDED IN THIS WARRANTY STATEMENT, AND WE DISCLAIM ANY IMPLIED WARRANTY OF MERCHANTABILITY OR FITNESS FOR ANY PARTICULAR PURPOSE. Further, we will not be responsible for any consequential, incidental or indirect damages (including, but not limited to, any loss of profits) from any cause whatsoever. No person has authority to change this warranty. \*Unless otherwise provided herein. Akron Brass industrial electronic components & the Severe-Duty Monitor have a one (1) year warranty. Select Akron Brass handline nozzles and valves carry a ten (10) year warranty. Scene Star Lights carry a (6) year warranty. Weldon products have a two (2) year warranty from date of manufacture (excluding consumable components). Select Weldon LED products carry a five (5) year warranty. Honda products have the manufacturers' warranty and Akron Brass disclaims any warranty in respect of those products.  
 © 2016 Akron Brass Company. All rights reserved. No portion of this can be reproduced without the express written consent of the Akron Brass Company.



**TECHNICAL SERVICE PARTS**  
**STYLE 1701, 1702, 1704, 1772**  
**PRODUCT 1" TURBOJET NOZZLE**

IF AN ITEM IS NOTED AS "NOT FIELD REPAIRABLE", OR YOU WISH TO RETURN AN ITEM TO AKRON BRASS FOR SERVICE PLEASE GO ONLINE TO, **ONLINEREPAIR.AKRONBRASS.COM**

Chg.	Date
17	04-17
18	9-17

Find	Description	LANGUAGE	Item	QTY 1701	QTY 1702	QTY 1704	QTY 1772
19	PATTERN INDICATOR BAND	-	703662	1	-	-	-
19	PATTERN INDICATOR BAND	-	703663	-	1	-	-
19	PATTERN INDICATOR BAND	-	703666	-	-	1	-
19	PATTERN INDICATOR BAND CE	-	703852	-	-	1	-
19	PATTERN INDICATOR BAND	-	703863	-	-	-	-
19	PATTERN INDICATOR BAND	-	803074	-	-	-	1
20	FLOW CONTROL BAND 50 100 150 230 L	SPANISH	803213	1	1	1	-
20	FLOW CONTROL BAND 50 100 150 230 L	GERMAN	803214	1	1	1	-
20	FLOW CONTROL BAND 50 100 150 230 L	FRENCH	803215	1	1	1	-
20	FLOW CONTROL BAND 50 100 150 230 L	ENGLISH	803216	1	1	1	1
20	FLOW CONTROL BAND 13 25 40 60 G	ENGLISH	803217	1	1	1	-
20	FLOW CONTROL BAND 18 30 G	ENGLISH	803229	1	1	1	-
20	FLOW CONTROL BAND 70 115 L	ENGLISH	803230	1	1	1	-
20	FLOW CONTROL BAND 50 90 115 L	ENGLISH	803220	1	1	1	-
20	FLOW CONTROL BAND 13 23 30 G	ENGLISH	803221	1	1	1	-
20	FLOW CONTROL BAND 25 60 115 L	ENGLISH	803222	1	1	1	-
20	FLOW CONTROL BAND 50 90 115 L	SPANISH	803223	1	1	1	-
20	FLOW CONTROL BAND 50 90 115 L	GERMAN	803224	1	1	1	-
20	FLOW CONTROL BAND 50 90 115 L	FRENCH	803225	1	1	1	-
20	FLOW CONTROL BAND 50 100 150 230 CE	ENGLISH	803288	1	1	-	-
20	FLOW CONTROL BAND 50 100 150 230 CE	SPANISH	703760	1	1	-	-
20	FLOW CONTROL BAND 50 100 150 230 CE	GERMAN	803289	1	1	-	-
20	FLOW CONTROL BAND 50 100 150 230 CE	FRENCH	703761	1	1	-	-

Find	Description	COLOR	Item	QTY 1701	QTY 1702	QTY 1704	QTY 1772
42	PISTOL GRIP	BLACK	718233	-	1	1	1
42	PISTOL GRIP	YELLOW	718235	-	1	1	1
42	PISTOL GRIP	GREEN	718239	-	1	1	1
42	PISTOL GRIP	ORANGE	718238	-	1	1	1
42	PISTOL GRIP	BLUE	718237	-	1	1	1
42	PISTOL GRIP	RED	718236	-	1	1	1
42	PISTOL GRIP	GREY	718240	-	1	1	1
42	PISTOL GRIP	WHITE	718234	-	1	1	1
44	**	BALE HANDLE	BLACK	90010001	1	1	1
44	**	BALE HANDLE	YELLOW	90010002	1	1	1
44	**	BALE HANDLE	GREEN	90010005	1	1	1
44	**	BALE HANDLE	ORANGE	90010006	1	1	1
44	**	BALE HANDLE	BLUE	90010007	1	1	1
44	**	BALE HANDLE	RED	90010003	1	1	1
44	**	BALE HANDLE	GRAY	90010004	1	1	1
44	**	BALE HANDLE	WHITE	90010008	1	1	1
44	**	BALE HANDLE	PURPLE	90010011	1	1	1

\* GASKET ITEM 10 INCLUDED IN SWIVEL SUB ASSEMBLY ITEM 2  
 \*\* BALE HANDLE KITS INCLUDE ROLL PINS ITEM 8  
 \*\*\* SHIMS INSTALLED AT FACTORY AS NEEDED FOR FINAL FLOW CALIBRATION.  
 ## FOR OTHER THREADS ORDER BY DESCRIPTION AND THREAD SIZE.  
 ### FOR STYLE 1704 ONLY - USE [2] DESIGNATED PARTS FOR FOR NOZZLES WITH DUAL FLOW SETTINGS.  
 - USE [3] DESIGNATED PARTS FOR FOR NOZZLES WITH THREE FLOW SETTINGS.

PHONE: 330.264.5678 or 800.228.1161 | FAX: 330.264.2944 or 800.531.7335 | www.akronbrass.com

**WARRANTY AND DISCLAIMER\***: We warrant Akron Brass products for a period of five (5) years\* after purchase against defects in materials or workmanship. Akron Brass will repair or replace product which fails to satisfy this warranty. Repair or replacement shall be at the discretion of Akron Brass. Products must be promptly returned to Akron Brass for warranty service. We will not be responsible for: wear and tear; any improper installation, use, maintenance or storage; negligence of the owner or user; repair or modification after delivery; failure to follow our instructions or recommendations; or anything else beyond our control. **WE MAKE NO WARRANTIES, EXPRESS OR IMPLIED, OTHER THAN THOSE INCLUDED IN THIS WARRANTY STATEMENT, AND WE DISCLAIM ANY IMPLIED WARRANTY OF MERCHANTABILITY OR FITNESS FOR ANY PARTICULAR PURPOSE.** Further, we will not be responsible for any consequential, incidental or indirect damages (including, but not limited to, any loss of profits) from any cause whatsoever. No person has authority to change this warranty. \*Unless otherwise provided herein. Akron Brass industrial electronic components & the Severe-Duty Monitor have a one (1) year warranty. Select Akron Brass handline nozzles and valves carry a ten (10) year warranty. Scene Star Lights carry a (6) year warranty. Weldon products have a two (2) year warranty from date of manufacture (excluding consumable components). Select Weldon LED products carry a five (5) year warranty. Honda products have the manufacturers' warranty and Akron Brass disclaims any warranty in respect of those products.  
 © 2016 Akron Brass Company. All rights reserved. No portion of this can be reproduced without the express written consent of the Akron Brass Company.

Parts List Sheet:  
**120816**  
 D44218