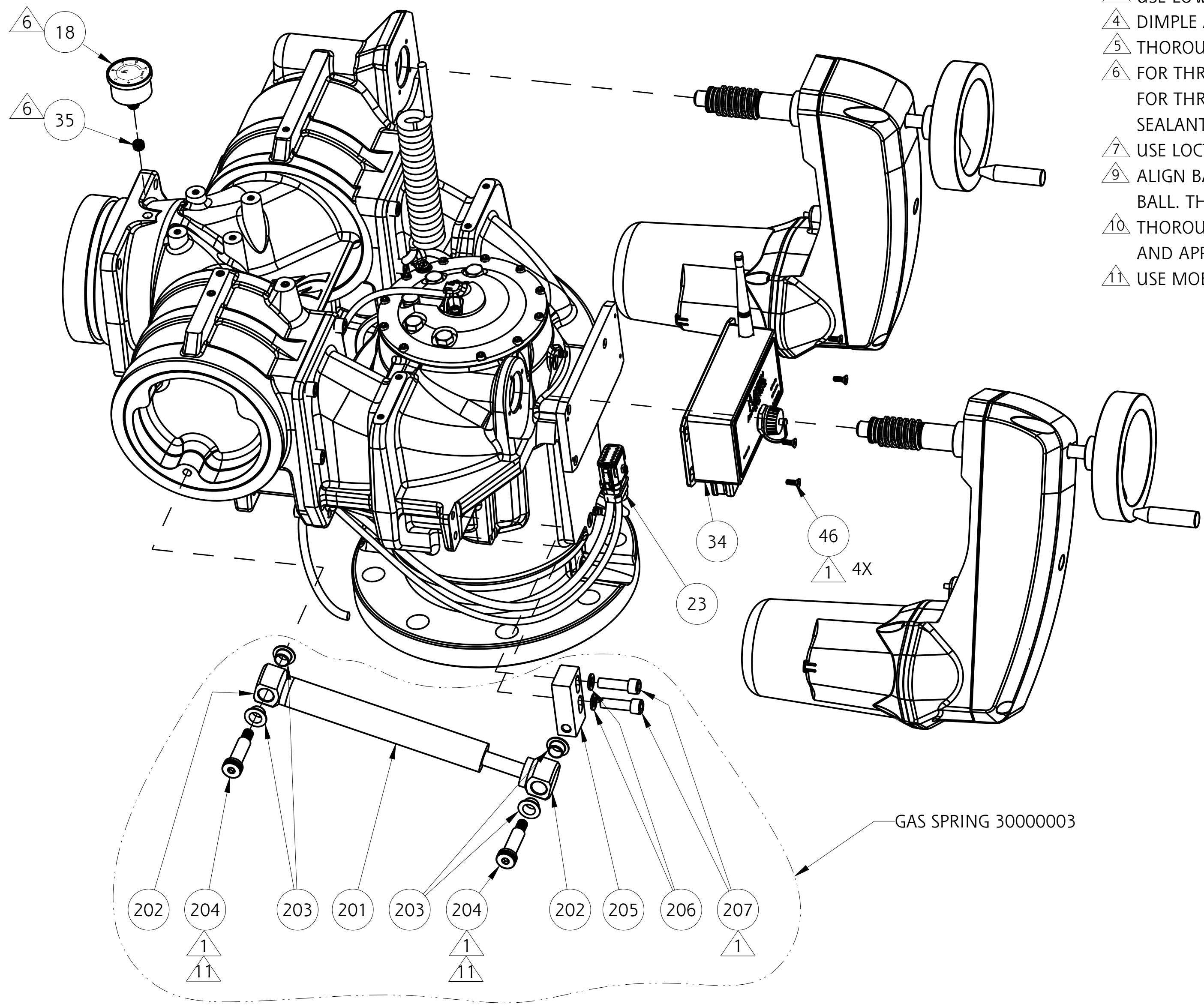


Chg.	Date
03	07-19
04	06-22

ASSEMBLY NOTES:

USE PARKER O-LUBE ON ALL O-RINGS AND MATING SURFACES UNLESS OTHERWISE NOTED.

- ① USE PERMABOND LM113 OR LOCTITE 222.
- ② USE PRIMER T AND PERMABOND HH120 OR LOCTITE 277.
- ③ USE LOW-TEMP LUBRIPLATE.
- ④ DIMPLE AT ASSEMBLY.
- ⑤ THOROUGHLY COAT WITH NEVER SEEZ MARINERS CHOICE.
- ⑥ FOR THREADS UP TO $\varnothing 2"$: USE PERMABOND LH050 OR LOCTITE 592.
FOR THREADS BIGGER THAN $\varnothing 2"$: USE AGRO "TUF-GLIDE THREAD SEALANT WITH PTFE".
- ⑦ USE LOCTITE 290.
- ⑨ ALIGN BALL IN HOLE. TIGHTEN PLUG UNTIL TOUCHES BALL. THEN BACK OUT PLUG 1/4-1/2 TURN.
- ⑩ THOROUGHLY CLEAN THREADS OF PLUG AND MATING PART AND APPLY LOCTITE 425.
- ⑪ USE MOBILITH SHC 460.



PHONE: 800.228.1161 | www.akronbrass.com

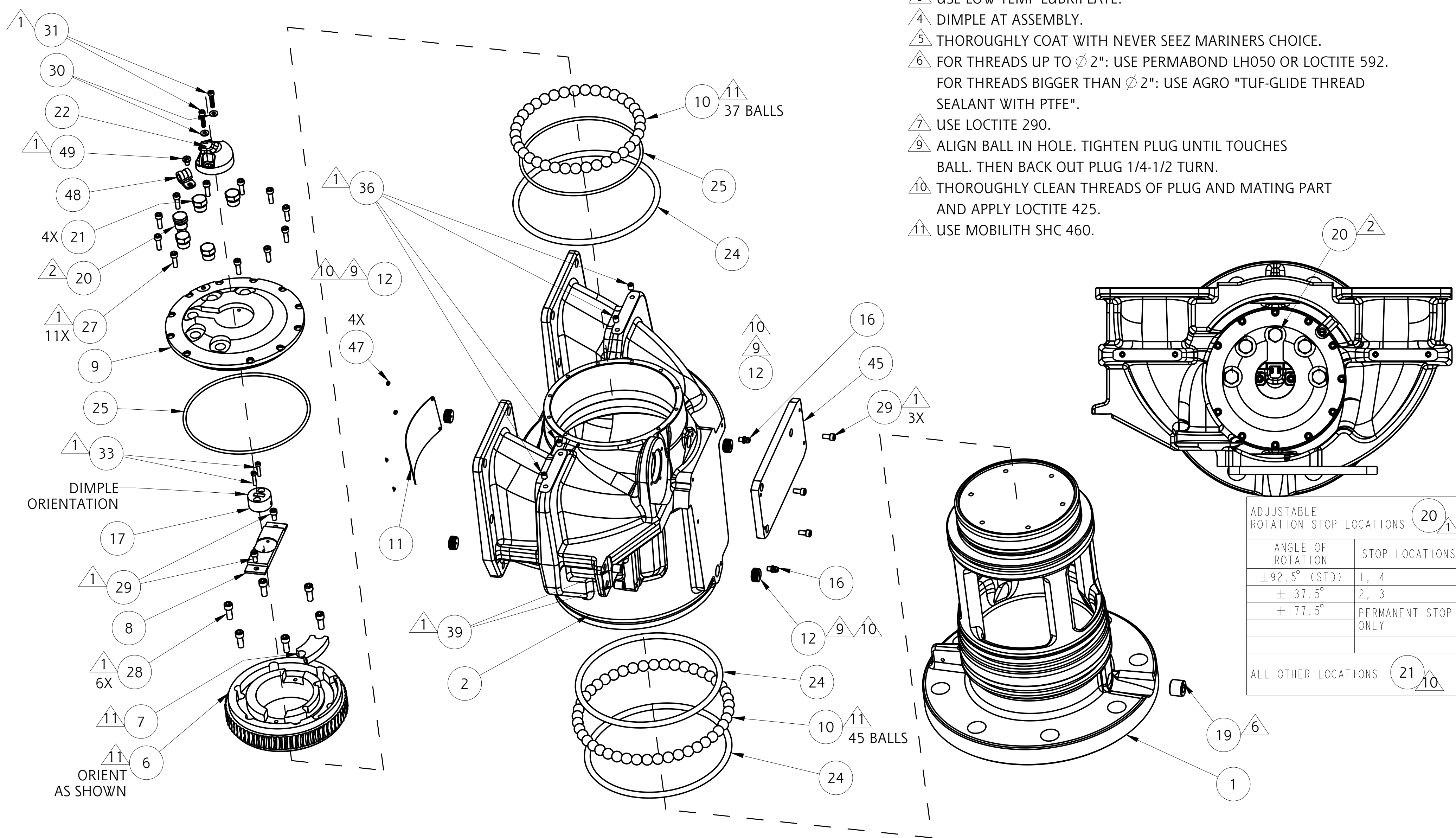
WARRANTY AND DISCLAIMER*: We warrant Akron Brass products for a period of five (5) years* after purchase against defects in materials or workmanship. Akron Brass will repair or replace product which fails to satisfy this warranty. Repair or replacement shall be at the discretion of Akron Brass. Products must be promptly returned to Akron Brass for warranty service. We will not be responsible for: wear and tear; any improper installation, use, maintenance or storage; negligence of the owner or user; repair or modification after delivery; failure to follow our instructions or recommendations; or anything else beyond our control. WE MAKE NO WARRANTIES, EXPRESS OR IMPLIED, OTHER THAN THOSE INCLUDED IN THIS WARRANTY STATEMENT, AND WE DISCLAIM ANY IMPLIED WARRANTY OF MERCHANTABILITY OR FITNESS FOR ANY PARTICULAR PURPOSE. Further, we will not be responsible for any consequential, incidental or indirect damages (including, but not limited to, any loss of profits) from any cause whatsoever. No person has authority to change this warranty. *Unless otherwise provided herein. Akron Brass industrial electronic components & the Severe-Duty Monitor have a one (1) year warranty. Select Akron Brass handline nozzles and valves carry a ten (10) year warranty. Scene Star Lights carry a (6) year warranty. Weldon products have a two (2) year warranty from date of manufacture (excluding consumable components). Select Weldon LED products carry a five (5) year warranty. Honda products have the manufacturers' warranty and Akron Brass disclaims any warranty in respect of those products.
© 2016 Akron Brass Company. All rights reserved. No portion of this can be reproduced without the express written consent of the Akron Brass Company.

Parts List Sheet:

125995

ASSEMBLY NOTES:

- USE PARKER O-LUBE ON ALL O-RINGS AND MATING SURFACES UNLESS OTHERWISE NOTED.
- ① USE PERMABOND LM113 OR LOCTITE 222.
- ② USE PRIMER T AND PERMABOND HH120 OR LOCTITE 277.
- ③ USE LOW-TEMP LUBRIPLATE.
- ④ DIMPLE AT ASSEMBLY.
- ⑤ THOROUGHLY COAT WITH NEVER SEEZ MARINERS CHOICE.
- ⑥ FOR THREADS UP TO $\varnothing 2"$: USE PERMABOND LH050 OR LOCTITE 592.
FOR THREADS BIGGER THAN $\varnothing 2"$: USE AGRO "TUF-GLIDE THREAD SEALANT WITH PTFE".
- ⑦ USE LOCTITE 290.
- ⑨ ALIGN BALL IN HOLE. TIGHTEN PLUG UNTIL TOUCHES BALL. THEN BACK OUT PLUG 1/4-1/2 TURN.
- ⑩ THOROUGHLY CLEAN THREADS OF PLUG AND MATING PART AND APPLY LOCTITE 425.
- ⑪ USE MOBILITH SHC 460.



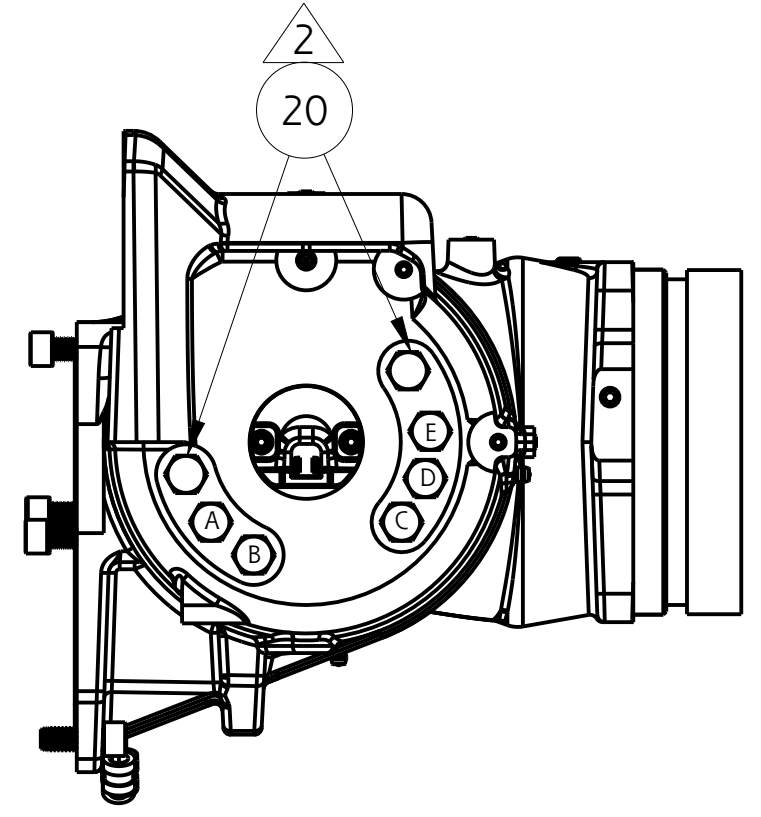
DIMPLE ORIENTATION

ORIENT AS SHOWN

ADJUSTABLE ROTATION STOP LOCATIONS ②①

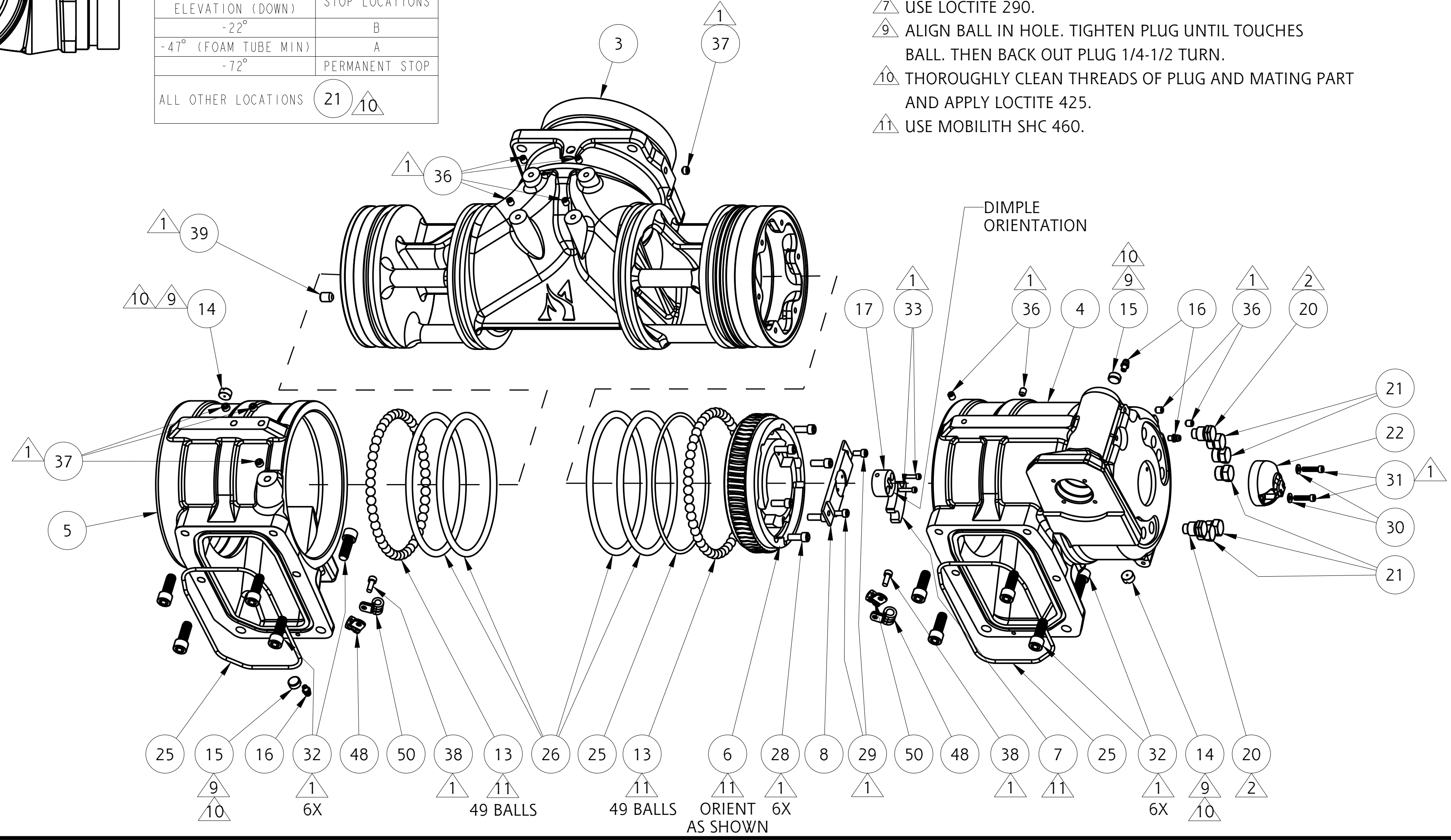
ANGLE OF ROTATION	STOP LOCATIONS
$\pm 92.5^\circ$ (STD)	1, 4
$\pm 137.5^\circ$	2, 3
$\pm 177.5^\circ$	PERMANENT STOP ONLY

ALL OTHER LOCATIONS ②①



ADJUSTABLE ELEVATION STOP LOCATIONS 20 1	
ANGLE OF ELEVATION (UP)	STOP LOCATIONS
+122°	PERMANENT STOP
+92° (STD)	E
+70° (FOAM TUBE MAX)	D (FOAM TUBE)
+47°	C
ANGLE OF ELEVATION (DOWN)	STOP LOCATIONS
-22°	B
-47° (FOAM TUBE MIN)	A
-72°	PERMANENT STOP
ALL OTHER LOCATIONS 21 10	

- ASSEMBLY NOTES:
- USE PARKER O-LUBE ON ALL O-RINGS AND MATING SURFACES UNLESS OTHERWISE NOTED.
 - 1 USE PERMABOND LM113 OR LOCTITE 222.
 - 2 USE PRIMER T AND PERMABOND HH120 OR LOCTITE 277.
 - 3 USE LOW-TEMP LUBRIPLATE.
 - 4 DIMPLE AT ASSEMBLY.
 - 5 THOROUGHLY COAT WITH NEVER SEEZ MARINERS CHOICE.
 - 6 FOR THREADS UP TO $\varnothing 2"$: USE PERMABOND LH050 OR LOCTITE 592. FOR THREADS BIGGER THAN $\varnothing 2"$: USE AGRO "TUF-GLIDE THREAD SEALANT WITH PTFE".
 - 7 USE LOCTITE 290.
 - 9 ALIGN BALL IN HOLE. TIGHTEN PLUG UNTIL TOUCHES BALL. THEN BACK OUT PLUG 1/4-1/2 TURN.
 - 10 THOROUGHLY CLEAN THREADS OF PLUG AND MATING PART AND APPLY LOCTITE 425.
 - 11 USE MOBILITH SHC 460.



PHONE: 800.228.1161 | www.akronbrass.com

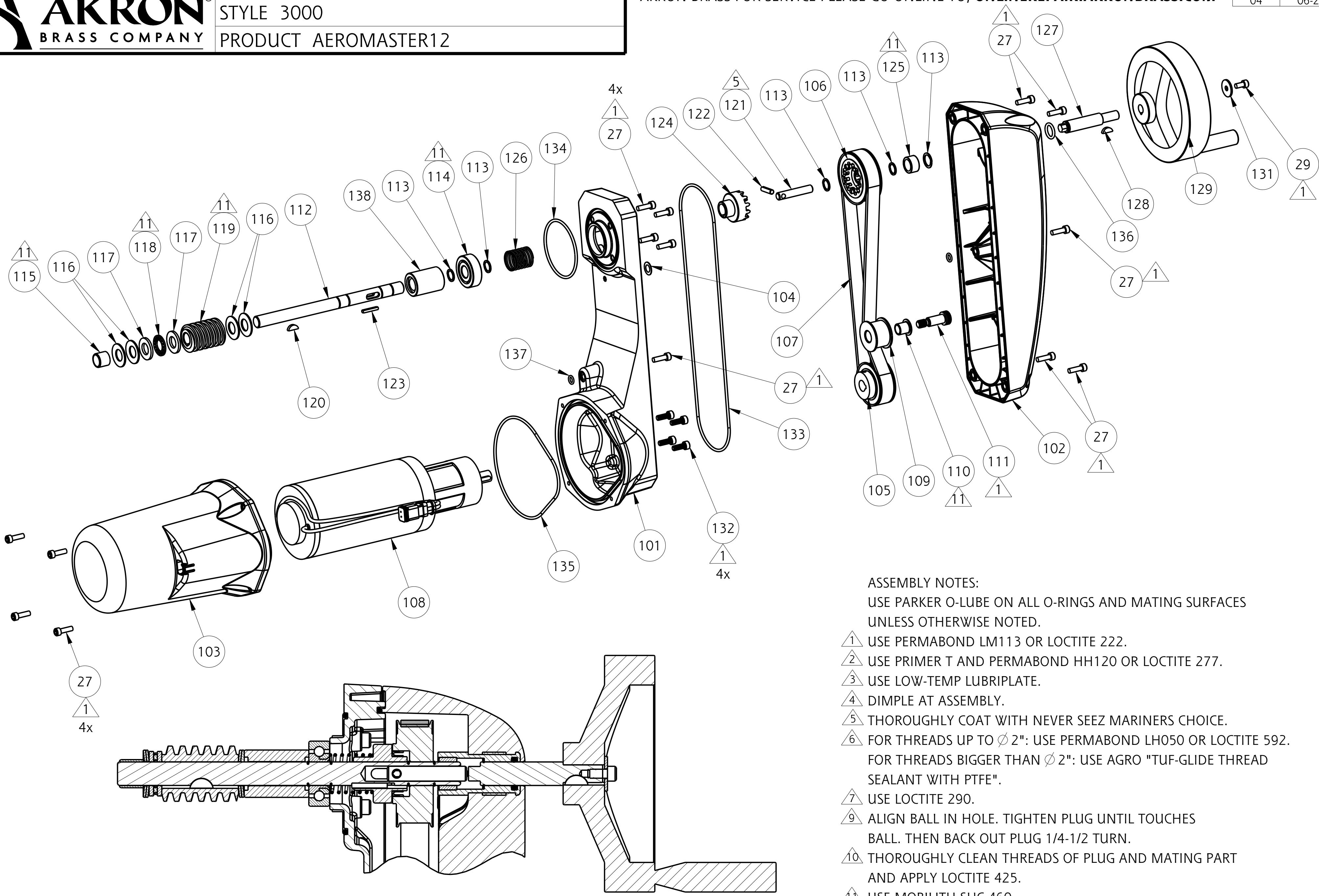
Parts List Sheet:

125995

WARRANTY AND DISCLAIMER*: We warrant Akron Brass products for a period of five (5) years* after purchase against defects in materials or workmanship. Akron Brass will repair or replace product which fails to satisfy this warranty. Repair or replacement shall be at the discretion of Akron Brass. Products must be promptly returned to Akron Brass for warranty service. We will not be responsible for: wear and tear; any improper installation, use, maintenance or storage; negligence of the owner or user; repair or modification after delivery; failure to follow our instructions or recommendations; or anything else beyond our control. WE MAKE NO WARRANTIES, EXPRESS OR IMPLIED, OTHER THAN THOSE INCLUDED IN THIS WARRANTY STATEMENT, AND WE DISCLAIM ANY IMPLIED WARRANTY OF MERCHANTABILITY OR FITNESS FOR ANY PARTICULAR PURPOSE. Further, we will not be responsible for any consequential, incidental or indirect damages (including, but not limited to, any loss of profits) from any cause whatsoever. No person has authority to change this warranty. *Unless otherwise provided herein. Akron Brass industrial electronic components & the Severe-Duty Monitor have a one (1) year warranty. Select Akron Brass handline nozzles and valves carry a ten (10) year warranty. Scene Star Lights carry a (6) year warranty. Weldon products have a two (2) year warranty from date of manufacture (excluding consumable components). Select Weldon LED products carry a five (5) year warranty. Honda products have the manufacturers' warranty and Akron Brass disclaims any warranty in respect of those products.

© 2016 Akron Brass Company. All rights reserved. No portion of this can be reproduced without the express written consent of the Akron Brass Company.

Chg.	Date
03	07-19
04	06-22



- ASSEMBLY NOTES:
- USE PARKER O-LUBE ON ALL O-RINGS AND MATING SURFACES UNLESS OTHERWISE NOTED.
 - ① USE PERMABOND LM113 OR LOCTITE 222.
 - ② USE PRIMER T AND PERMABOND HH120 OR LOCTITE 277.
 - ③ USE LOW-TEMP LUBRIPLATE.
 - ④ DIMPLE AT ASSEMBLY.
 - ⑤ THOROUGHLY COAT WITH NEVER SEEZ MARINERS CHOICE.
 - ⑥ FOR THREADS UP TO $\varnothing 2"$: USE PERMABOND LH050 OR LOCTITE 592. FOR THREADS BIGGER THAN $\varnothing 2"$: USE AGRO "TUF-GLIDE THREAD SEALANT WITH PTFE".
 - ⑦ USE LOCTITE 290.
 - ⑧ ALIGN BALL IN HOLE. TIGHTEN PLUG UNTIL TOUCHES BALL. THEN BACK OUT PLUG 1/4-1/2 TURN.
 - ⑩ THOROUGHLY CLEAN THREADS OF PLUG AND MATING PART AND APPLY LOCTITE 425.
 - ⑪ USE MOBILITH SHC 460.

PHONE: 800.228.1161 | www.akronbrass.com

WARRANTY AND DISCLAIMER*: We warrant Akron Brass products for a period of five (5) years* after purchase against defects in materials or workmanship. Akron Brass will repair or replace product which fails to satisfy this warranty. Repair or replacement shall be at the discretion of Akron Brass. Products must be promptly returned to Akron Brass for warranty service. We will not be responsible for: wear and tear; any improper installation, use, maintenance or storage; negligence of the owner or user; repair or modification after delivery; failure to follow our instructions or recommendations; or anything else beyond our control. WE MAKE NO WARRANTIES, EXPRESS OR IMPLIED, OTHER THAN THOSE INCLUDED IN THIS WARRANTY STATEMENT, AND WE DISCLAIM ANY IMPLIED WARRANTY OF MERCHANTABILITY OR FITNESS FOR ANY PARTICULAR PURPOSE. Further, we will not be responsible for any consequential, incidental or indirect damages (including, but not limited to, any loss of profits) from any cause whatsoever. No person has authority to change this warranty. *Unless otherwise provided herein. Akron Brass industrial electronic components & the Severe-Duty Monitor have a one (1) year warranty. Select Akron Brass handline nozzles and valves carry a ten (10) year warranty. Scene Star Lights carry a (6) year warranty. Weldon products have a two (2) year warranty from date of manufacture (excluding consumable components). Select Weldon LED products carry a five (5) year warranty. Honda products have the manufacturers' warranty and Akron Brass disclaims any warranty in respect of those products.

© 2016 Akron Brass Company. All rights reserved. No portion of this can be reproduced without the express written consent of the Akron Brass Company.

Parts List Sheet:

125995



TECHNICAL SERVICE PARTS

STYLE 3000

PRODUCT AEROMASTER12

IF AN ITEM IS NOTED AS "NOT FIELD REPAIRABLE", OR YOU WISH TO RETURN AN ITEM TO AKRON BRASS FOR SERVICE PLEASE GO ONLINE TO, **ONLINEREPAIR.AKRONBRASS.COM**

Chg.	Date
03	07-19
04	06-22

Find	Description	Item	Qty
1	BASE FLANGE - 6"/DIN 150	126088	1
2	SIAMESE	126089	1
3	OUTLET ELBOW	126090	1
4	STANCHION - GEARBOX	126091	1
5	STANCHION	126085	1
6	WORM GEAR	126087	2
7	SLIDER	126213	2
8	MAGNET LOCATION BAR	803264	2
9	GEAR BOX CAP	126086	1
10	A BALL BRASS 1/2"	-	82
11	TAG ID	744550	1
12	D PLUG SWIVEL 5/16-18	742090	4
13	B BALL BRASS 3/8"	-	98
14	D PLUG SWIVEL WITH HOLE 1/2-20	742123	2
15	D PLUG SWIVEL 1/2-20	742112	2
16	FITTING GREASE 3/16	713191	5
17	MARKER POSITION MAGNET	731127	2
18	GAUGE PRESSURE 0-350 PSI, 0-2500 KPA 1.5" DIAL	718322	1
18	GAUGE PRESSURE 0-25 bars, 0-2.5 MPA 1.5"DIAL	718323	1
19	PLUG PIPE 1/2" NPT	744416	1
20	STOP	769843	7
21	PLUG	745187	9
22	ASSY SENSOR MAGNETIC ROTARY ANGLE	60430005	2
23	WIRING HARNESS	721713	1
24	D O-RING 2-439	757498	3
25	D O-RING 2-255	757338	5
26	D O-RING 2-433	757499	4
27	SCREW SOCKET HEAD CAP #10-24 X 5/8"	765028	39
28	SCREW SOCKET HEAD CAP 1/4-20 X 5/8"	765029	12
29	SCREW SOCKET HEAD CAP #10-24 X 3/8"	767029	9
30	WASHER #8	784123	4
31	SCREW SOCKET HEAD CAP #8-32 X 5/8"	765360	4
32	SCREW SOCKET HEAD CAP 3/8-16 X 1"	767047	12
33	SCREW SOCKET HEAD CAP #6-32 X 5/8"	765179	4
34	CONTROLLER	60520009	1
35	PLUG PIPE 1/8"NPT	742192	1
36	SCREW SOCKET HEAD CUP POINT SET 1/4-20 x 5/16"	765047	12
37	SCREW SOCKET HEAD CUP POINT SET 5/16-18 x 1/4"	765071	4
38	SCREW SOCKET HEAD CAP #10-24 x 1/2"	763038	2
39	SCREW SOCKET HEAD CUP POINT SET 3/8-16 x 1/2"	765187	3

Find	Description	Item	Qty
45	PLATE CONTROL BOX MOUNTING	126214	1
46	SCREW FLAT HEAD #8-32 X 1/2"	765345	4
47	NAIL	736052	4
48	CLAMP CABLE 5/16	707548	3
49	SCREW PAN HEAD MACHINE #10-24 X 1/4"	765104	1
50	CLAMP CABLE 1/4	707189	2
201	C GAS SPRING	768479	1
202	C CLEVIS	126142	2
203	C BUSHING	703819	4
204	C SCREW SHOULDER 1/2"DIA X 1-1/2"LG 5/16-18	767165	2
205	C SUPPORT GAS SPRING	122949	1
206	C WASHER FLAT	784064	2
207	C SCREW SOCKET HEAD CAP 3/8-16 X 1-1/4"	765154	2

A: KIT OF 50 BALLS: 116252
 B: KIT OF 50 BALLS: 109342

C: INCLUDED IN GAS SPRING KIT 30000003
 D: INCLUDED IN SERVICE KIT 92300001

PHONE: 800.228.1161 | www.akronbrass.com

Parts List Sheet:

125995

WARRANTY AND DISCLAIMER: We warrant Akron Brass products for a period of five (5) years* after purchase against defects in materials or workmanship. Akron Brass will repair or replace product which fails to satisfy this warranty. Repair or replacement shall be at the discretion of Akron Brass. Products must be promptly returned to Akron Brass for warranty service. We will not be responsible for: wear and tear; any improper installation, use, maintenance or storage; negligence of the owner or user; repair or modification after delivery; failure to follow our instructions or recommendations; or anything else beyond our control. WE MAKE NO WARRANTIES, EXPRESS OR IMPLIED, OTHER THAN THOSE INCLUDED IN THIS WARRANTY STATEMENT, AND WE DISCLAIM ANY IMPLIED WARRANTY OF MERCHANTABILITY OR FITNESS FOR ANY PARTICULAR PURPOSE. Further, we will not be responsible for any consequential, incidental or indirect damages (including, but not limited to, any loss of profits) from any cause whatsoever. No person has authority to change this warranty. *Unless otherwise provided herein. Akron Brass industrial electronic components & the Severe-Duty Monitor have a one (1) year warranty. Select Akron Brass handline nozzles and valves carry a ten (10) year warranty. Scene Star Lights carry a (6) year warranty. Weldon products have a two (2) year warranty from date of manufacture (excluding consumable components). Select Weldon LED products carry a five (5) year warranty. Honda products have the manufacturers' warranty and Akron Brass disclaims any warranty in respect of those products.

© 2016 Akron Brass Company. All rights reserved. No portion of this can be reproduced without the express written consent of the Akron Brass Company.



TECHNICAL SERVICE PARTS
 STYLE 3000
 PRODUCT AEROMASTER12

IF AN ITEM IS NOTED AS "NOT FIELD REPAIRABLE", OR YOU WISH TO RETURN AN ITEM TO AKRON BRASS FOR SERVICE PLEASE GO ONLINE TO, **ONLINEREPAIR.AKRONBRASS.COM**

Chg.	Date
03	07-19
04	06-22

Find	Description	Item	QTY
101	FLANGE PULLEY	126215	2
102	PULLEY COVER	807107	2
103	MOTOR COVER	807106	2
104	ADHESIVE VENT	779095	2
105	PULLEY 28 TOOTH	745275	2
106	PULLEY 34 TOOTH	745276	2
107	BELT 5 MM HTD PITCH, 15 MM X 625 MM	803265	2
108	MOTOR 12/24V	30000002	2
109	PULLEY TENSIONER	745274	2
110	BUSHING	803266	2
111	SHOULDER BOLT 3/8 DIA. x 3/4 LG - 5/16-18	803267	2
112	SHAFT WORM	768473	2
113	RING RETAINING	758149	10
114	BALL BEARING	803098	2
115	BEARING SLEEVE	703995	2
116	SPRING BELLEVILLE	769276	8
117	WASHER THRUST	784121	4
118	BEARING NEEDLE	703453	2
119	GEAR WORM	718273	2
120	KEY WOODRUFF 1/8 X 1/2	727025	2
121	SHAFT	770452	2
122	PIN ROLL	744068	2
123	KEY SPECIAL	727044	2
124	DOG CLUTCH	807105	2
125	BEARING ROLLER NEEDLE	704395	2
126	SPRING COMPRESSION	768403	2
127	SHAFT OVERRIDE	770451	2
128	KEY WOODRUFF 3/32 X 1/2	727026	2
129	HANDWHEEL	721608	2
131	WASHER	784164	2
132	SCREW SOCKET HEAD CAP M5 x 14mm	765373	8
133	D O-RING 2-171	757435	2
134	D O-RING 2-141	757195	2
135	D O-RING 2-157	757360	2
136	D O-RING 2-112	757313	2
137	D O-RING 2-010	757005	4
138	SPACER	769995	2

A: KIT OF 50 BALLS: 116252
 B: KIT OF 50 BALLS: 109342

C: INCLUDED IN GAS SPRING KIT 30000003
 D: INCLUDED IN SERVICE KIT 92300001

PHONE: 800.228.1161 | www.akronbrass.com

Parts List Sheet:

125995

WARRANTY AND DISCLAIMER*: We warrant Akron Brass products for a period of five (5) years* after purchase against defects in materials or workmanship. Akron Brass will repair or replace product which fails to satisfy this warranty. Repair or replacement shall be at the discretion of Akron Brass. Products must be promptly returned to Akron Brass for warranty service. We will not be responsible for: wear and tear; any improper installation, use, maintenance or storage; negligence of the owner or user; repair or modification after delivery; failure to follow our instructions or recommendations; or anything else beyond our control. WE MAKE NO WARRANTIES, EXPRESS OR IMPLIED, OTHER THAN THOSE INCLUDED IN THIS WARRANTY STATEMENT, AND WE DISCLAIM ANY IMPLIED WARRANTY OF MERCHANTABILITY OR FITNESS FOR ANY PARTICULAR PURPOSE. Further, we will not be responsible for any consequential, incidental or indirect damages (including, but not limited to, any loss of profits) from any cause whatsoever. No person has authority to change this warranty. *Unless otherwise provided herein. Akron Brass industrial electronic components & the Severe-Duty Monitor have a one (1) year warranty. Select Akron Brass handline nozzles and valves carry a ten (10) year warranty. Scene Star Lights carry a (6) year warranty. Weldon products have a two (2) year warranty from date of manufacture (excluding consumable components). Select Weldon LED products carry a five (5) year warranty. Honda products have the manufacturers' warranty and Akron Brass disclaims any warranty in respect of those products.
 © 2016 Akron Brass Company. All rights reserved. No portion of this can be reproduced without the express written consent of the Akron Brass Company.