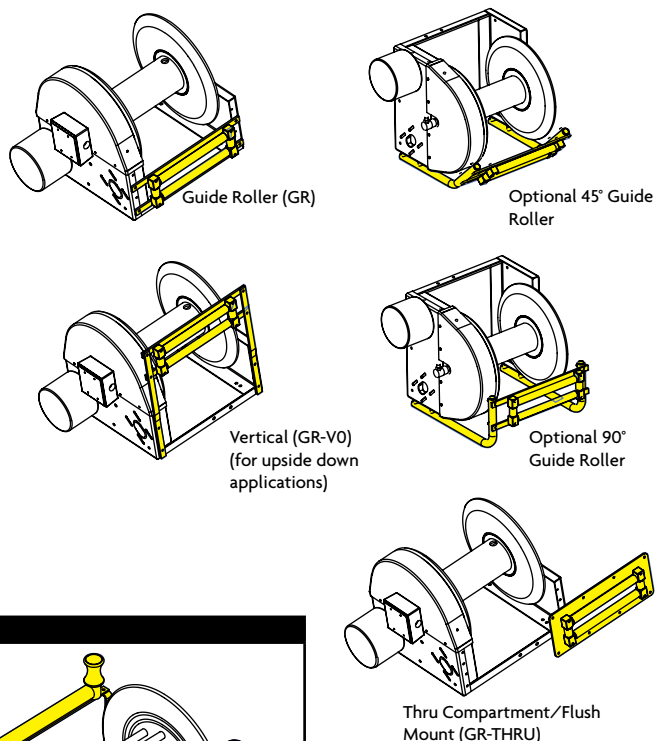


Part Number	Reel Type	A	B	C	D	E	F	G	H	I*
ERWC-15-10	Cord	10.6"	4.5"	17.3"	21.7"	15.0"	16.8"	9.2"	16.7"	23.9"
ERWC-16-6	Cord	5.5"	4.5"	10.7"	15.2"	16.5"	16.8"	9.4"	17.5"	N/A
ERWH-15-10	Hydraulic	10.6"	4.5"	17.3"	22.9"	15.0"	16.8"	9.5"	16.8"	23.9"
ERWH-16-6	Hydraulic	5.6"	4.5"	10.7"	16.1"	16.5"	16.8"	9.5"	17.7"	N/A
ERWH-10-16	Hydraulic	16.0"	4.5"	21.3"	23.9"	10.0"	12.0"	6.3"	11.2"	19.6"
ERWF-15-10	Foam	10.6"	4.8"	17.3"	21.7"	15.0"	16.9"	9.2"	16.7"	23.9"
ERWU-15-10	Utility Air	10.6"	4.5"	17.3"	21.9"	15.0"	16.8"	9.5"	17.0"	23.9"
ERWHB-15-10	High Pressure Breathing	10.6"	4.8"	17.3"	21.9"	15.0"	16.8"	9.7"	17.2"	23.9"
ERWC-10-28	Cord	28.0"	4.5"	33.3"	35.7"	10.0"	12.0"	6.2"	11.2"	19.6"
ERWC-10-16	Cord	16.0"	4.5"	21.3"	21.4"	10.0"	12.0"	6.2"	11.2"	19.6"
ERWH-10-16	Hydraulic	16.0"	4.5"	21.3"	23.9"	10.0"	12.0"	6.3"	11.2"	19.6"
ERWU-10-16	Utility Air	16.0"	4.5"	21.3"	20.4"	10.0"	12.0"	6.2"	11.2"	19.6"
ERWB-22-20	Booster	20.0"	10.0"	26.0"	34.5"	22.0"	24.8"	12.1"	23.1"	N/A
ERWB-24-20	Booster	20.0"	10.0"	26.0"	34.2"	24.0"	24.8"	13.0"	2.0"	N/A
ERWB-16-28	Booster	28.0"	8.0"	33.0"	39.1"	16.5"	16.8"	9.2"	17.4"	N/A

NOTE: Some dimensions may vary slightly.  
\* Optional rear motor mount feature only

Ball Stops	
CS-08	Cord Stop for 8 Gauge Wire
CS-10	Cord Stop for 10 Gauge Wire
CS-12	Cord Stop for 12 Gauge Wire
HS-BA	Hose Stop for Breathing Air Hose
HS-TOOL	Hose Stop for Utility Air Hose
HS-TWIN	Hose Stop for 1/4" Twin Line Hose
Guide Rollers	
GR	Guide Roller Assembly
GR-V45	Guide Roller Assembly (Vertical 45 Degree Angle)
GR-V90	Guide Roller Assembly (Vertical 90 Degree Angle)
GR-V0	Guide Roller Assembly (Vertical 0 Degree Angle)
GR-THRU	Guide Roller Assembly (Thru Compartment Flush Mount)
Control Boxes	
ERW-SL	Control Box with Switch and Breaker Only
ERW-SCS	Control Box with Solenoid, Diode Suppressor and Speed Control
Rear Mount	
ERW-RMC	Rear Mount Conversion Kit for Electric Rewind Reels
Brake	
ERW-BR1	Brake For All Reels With Hose



### Booster Reel Options

