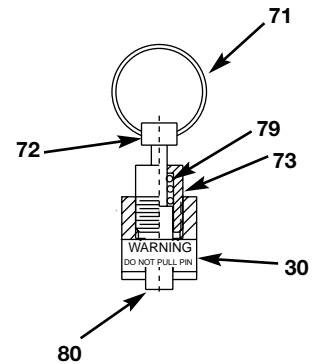
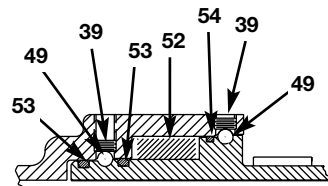
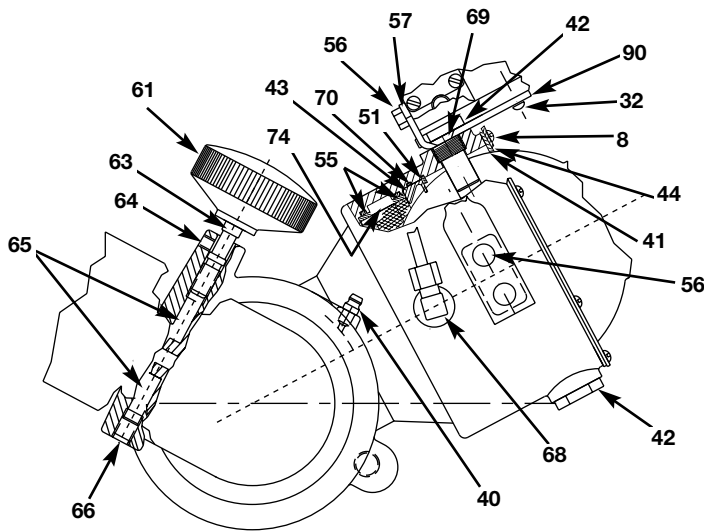
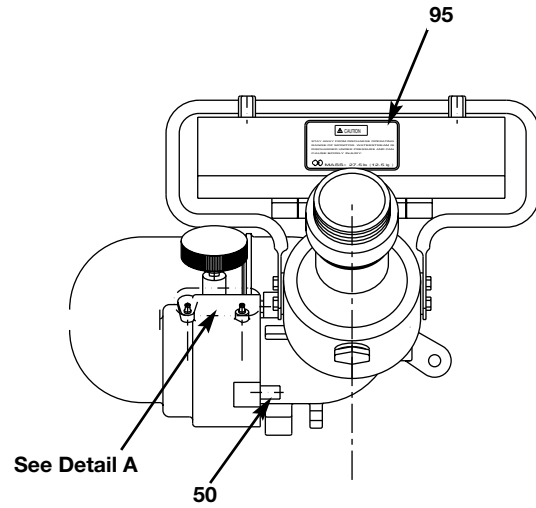
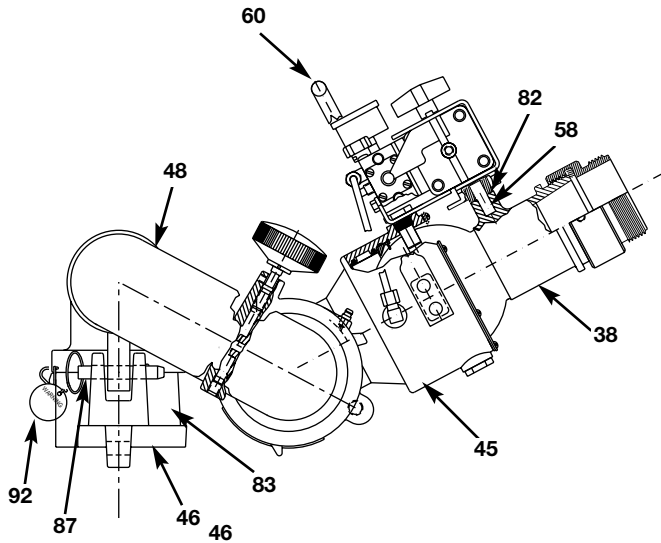
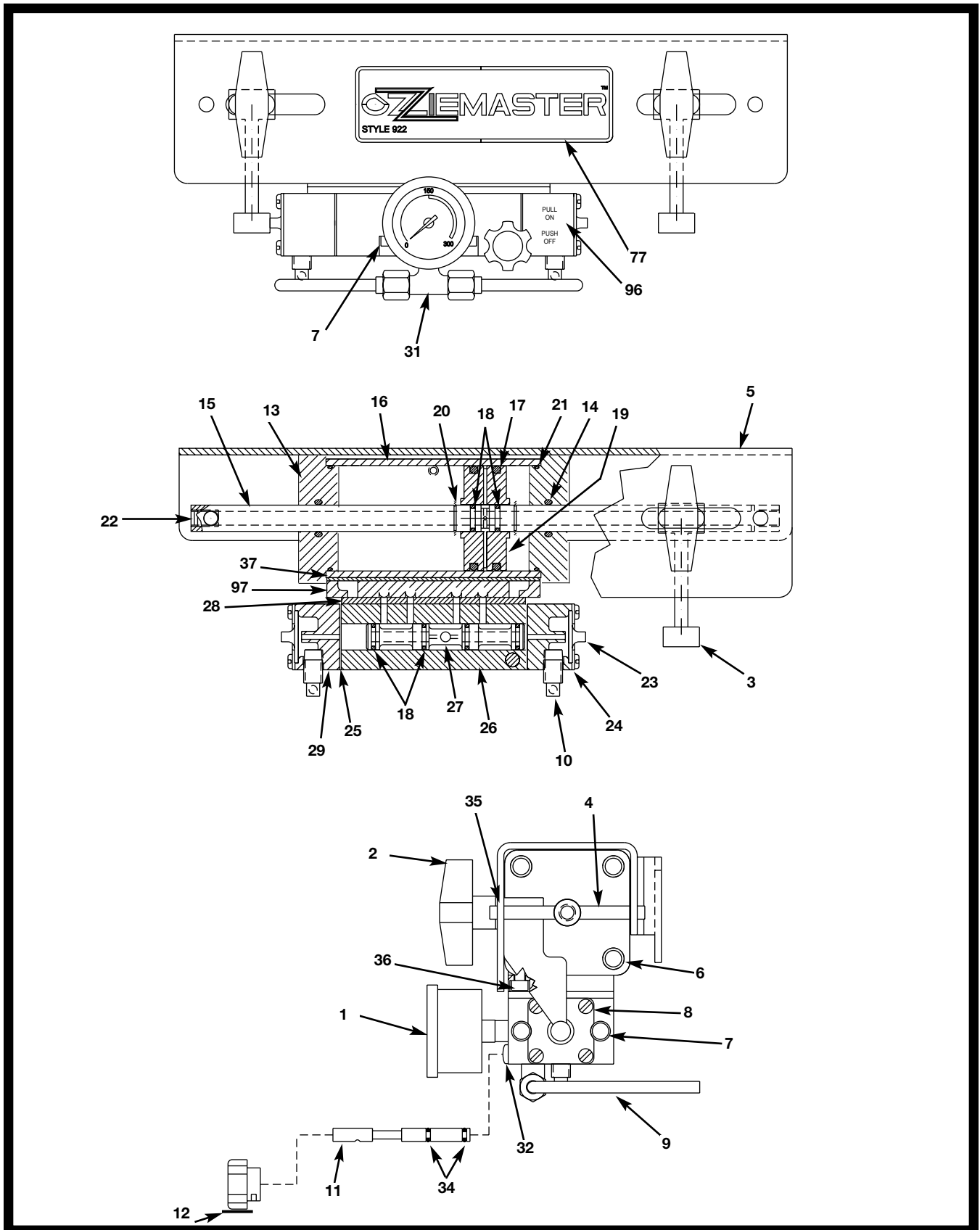


TECHNICAL SERVICE PARTS LIST



TECHNICAL SERVICE PARTS LIST





AKRON
BRASS COMPANY

STYLE 922
OzzieMaster™ Portable Oscillating Monitor
TECHNICAL SERVICE PARTS LIST

ITEM NO.	DESCRIPTION	PART NUMBER	QUANTITY
1	Pressure Gauge	7-18-184	1
2	Knob	7-27-030	2
3	Limit Arm Delrin	7-02-049	2
4	Pin	7-41-066	2
5	Drive Cover	7-07-411	1
6	Button Head Screw	7-66-009	8
7	Socket Head Cap Screw	7-67-100	8
8	Round Head Screw	7-63-012	14
9	Bleed Tube	7-72-174	2
10	Exhaust Plug	7-44-283	2
11	Spindle	7-69-380	1
12	Knob	7-27-031	1
13	Cap Cylinder	7-07-412	2
14	O-Ring	7-57-258	2
15	Cylinder Rod	7-49-027	1
16	Cylinder Block	117521	1
17	O-Ring	7-57-362	2
18	O-Ring	7-57-260	6
19	Piston	7-44-396	1
20	Retaining Ring	7-58-192	2
21	O-Ring	7-57-363	2
22	Socket Head Set Screw	7-65-071	2
23	Valve	7-79-053	2
24	Retainer	7-58-168	2
25	Valve Gasket	7-14-193	2
26	Valve Block	7-03-366	1
27	Spool	7-69-627	1
28	Gasket	7-17-039	1
29	Valve Cap	117522	2
30	Warning Plate	7-44-364	1
31	Fitting Tee	7-12-271	1
32	Screw	7-65-143	2
33	Straps for Dual Inlet (Not Shown)	7-68-302	2
34	O-Ring	7-57-262	2
35	Washer	7-84-092	2
36	Socket Head Cap Screw	7-67-029	4
37	Gasket	7-14-210	1
38	Outlet	117513	1
39	Swivel Plug	7-42-023	4
40	Grease Fitting	7-13-191	2
41	Ball Cover	7-07-409	1
42	Ball Trunnion	7-72-172	2
43	Ball Seal	7-68-303	1
44	Ball Retainer	7-56-118	1
45	Outlet Elbow	117514	1
46	Inlet Retaining Ring	7-58-216	1
47	Inlet Vee Gasket	7-14-173	1
48	Gooseneck Elbow	117518	1
49	Ball Bearing	*	94
50	Stud	7-69-137	1
51	Retaining Ring	7-58-236	1
52	Brake Band	117519	1
53	O-Ring	7-57-046	2
54	O-Ring	7-57-359	1
55	O-Ring	7-57-360	2
56	Hex Screw	7-61-050	6
57	Motor Bracket	7-04-640	1
58	Roll Pin	7-44-287	1
60	Handle	7-21-341	1
61	Knob	109189	1
63	Brake Shaft	7-68-301	1
64	Socket Head Set Screw	7-65-002	1
65	Pin Groove	7-44-273	2
66	Socket Head Cup Screw	7-65-043	1
68	Elbow Fitting	7-13-075	2
69	Flat Head Screw	7-67-068	2



ITEM NO.	DESCRIPTION	PART NUMBER	QUANTITY
70	O-Ring	7-57-361	1
71	Split Key Ring	7-58-130	1
72	Plunger Screw	7-65-184	1
73	Housing Plunger Pin	7-21-318	1
74	Filter Screw	7-69-628	1
77	Name Plate	7-43-007	1
79	Plunger Spring	7-68-150	1
80	Plunger Pin	7-44-363	1
82	Roller	7-58-237	1
83	Adapter for 3411/3413 Single Inlet Base	0922-0025	1
83	Adapter for Dual Inlet Base/Flange	0922-0028	1
87	Lanyard Assemble	109023	2
90	Washer	7-84-072	1
91	Serial No Tag (Not Shown)	7-07-410	1
92	Lock Pin Warning Tag	7-73-135	1
95	Caution Tag	7-73-320	1
96	Oscillation On-Off Tag	7-73-292	1
97	Cylinder Adapter	117523	1

*Packet of 50 ball bearings - P/N 109011

