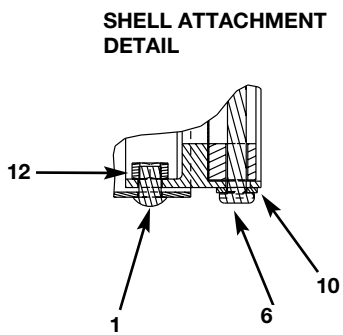
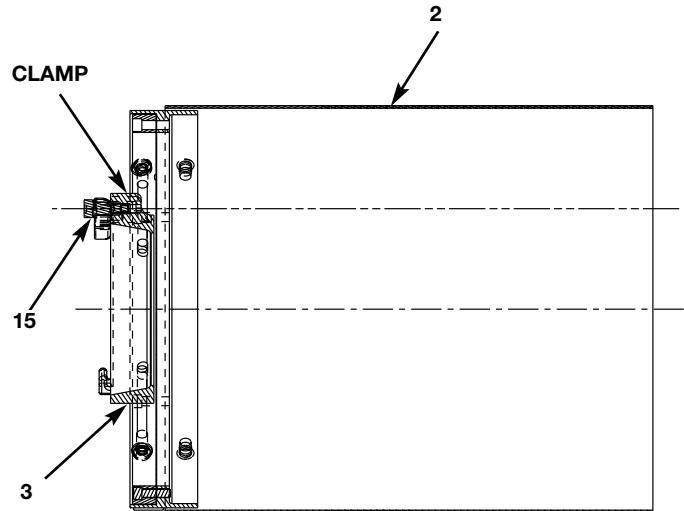
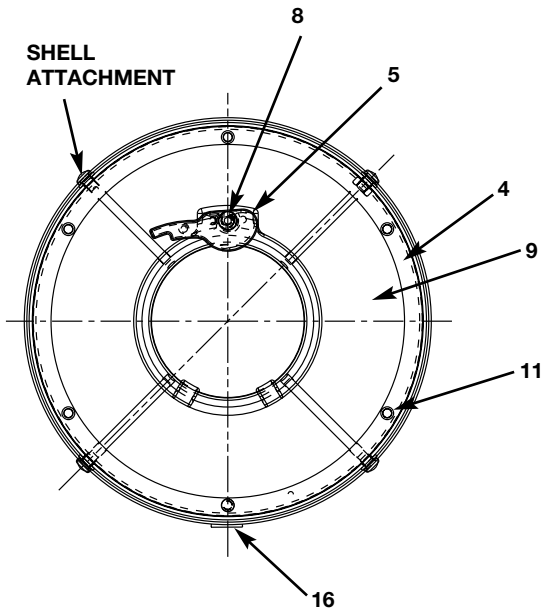
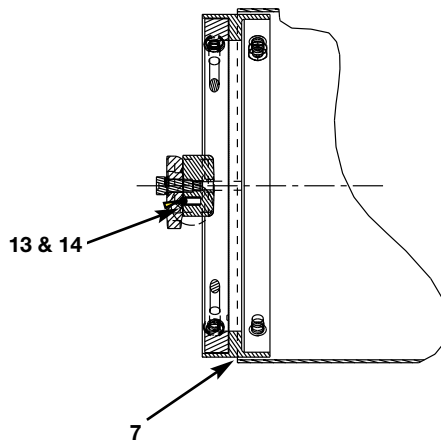


TECHNICAL SERVICE PARTS LIST



CLAMP DETAIL





**STYLE 866, 868, 877
Mid-X Foam Tube**

TECHNICAL SERVICE PARTS LIST

ITEM NO.	DESCRIPTION	PART NUMBER	QUANTITY		
			866	868	877
1	Socket Button Head	7-65-153	4	4	4
2	Shell	118865	1	1	1
3	Housing Clamp	118901	1	-	-
3	Housing Clamp	118900	-	1	-
3	Housing Clamp	118864	-	-	1
4	End Stop	118869	1	1	1
5	Locking Cam	101868	1	1	1
6	Long Socket Head Bolt	7-65-224	-	4	-
6	Long Socket Head Bolt	7-65-223	4	-	4
7	Support Ring	118890	1	1	1
8	Hex Head Screw	7-67-127	1	1	1
9	Screen	7-68-327	1	1	1
10	Washer	7-84-094	-	4	8
11	Socket Head Screw	7-63-038	6	6	6
12	Nut	7-34-061	4	4	4
13	Ball	7-03-050	1	1	1
14	Spring	7-68-023	1	1	1
15	O-Ring	7-57-254	1	1	1
16	Label	7-04-718	1	-	-
16	Label	7-04-719	-	1	-
16	Label	7-04-720	-	-	1



ISO 9001 REGISTERED COMPANY

PHONE: 330.264.5678 or 800.228.1161 | FAX: 330.264.2944 or 800.531.7335 | www.akronbrass.com
 Available in Canada through AKRON MANUFACTURING COMPANY
 PHONE: 519.773.8431 | FAX: 519.773.3794

REVISED 06/03

WARRANTY AND DISCLAIMER: We warrant Akron Brass products for a period of five (5) years after purchase against defects in materials or workmanship. Akron Brass will repair or replace product which fails to satisfy this warranty. Repair or replacement shall be at the discretion of Akron Brass. Products must be promptly returned to Akron Brass for warranty service.
 We will not be responsible for: wear and tear; any improper installation, use, maintenance or storage; negligence of the owner or user; repair or modification after delivery; damage; failure to follow our instructions or recommendations; or anything else beyond our control. WE MAKE NO WARRANTIES, EXPRESS OR IMPLIED, OTHER THAN THOSE INCLUDED IN THIS WARRANTY STATEMENT, AND WE DISCLAIM ANY IMPLIED WARRANTY OF MERCHANTABILITY OR FITNESS FOR ANY PARTICULAR PURPOSE. Further, we will not be responsible for any consequential, incidental or indirect damages (including, but not limited to, any loss of profits) from any cause whatsoever. No person has authority to change this warranty.

© Premier Farnell Corporation, 2000 All rights reserved. No portion of this can be reproduced without the express written consent of Premier Farnell Corporation.

