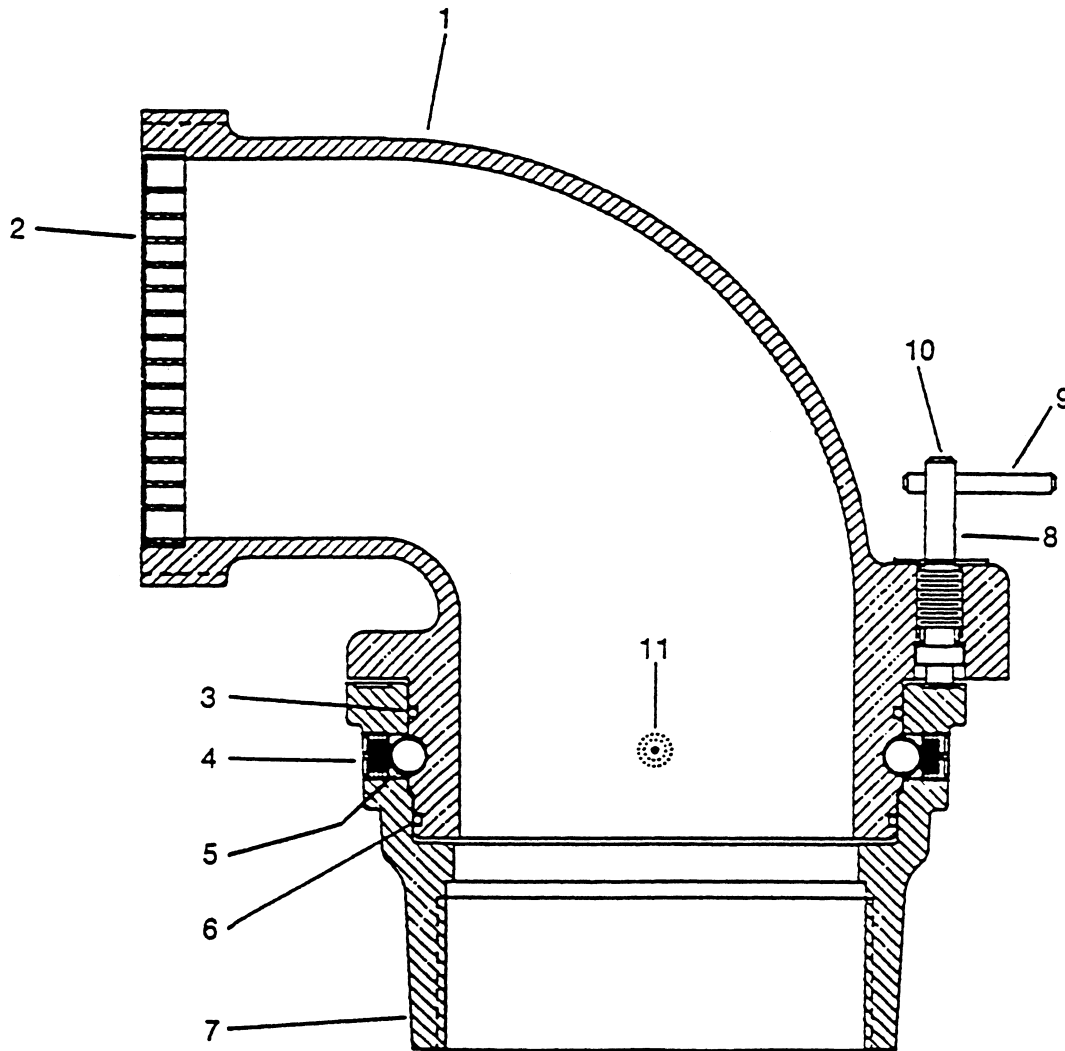


TECHNICAL SERVICE PARTS LIST





STYLE 655
Swiveling Suction Elbow
TECHNICAL SERVICE PARTS LIST

ITEM NO.	DESCRIPTION	PART NUMBER	QUANTITY	
			4" NPT	5" NPT
1	4" NH Inlet Elbow	115764	1	—
1	4.5" NH Inlet Elbow	116148	1	—
1	5" NH Inlet Elbow	107091	—	1
1	6" NH Inlet Elbow	107123	—	1
2	4" Inlet Strainer	7-69-466	1	—
2	4.5" Inlet Strainer	7-69-466	1	—
2	5" Inlet Strainer	4-69-467	—	1
2	6" Inlet Strainer	7-69-467	—	1
3	O-Ring	7-57-102	1	—
3	O-Ring	7-57-304	—	1
4	Swivel Plug	7-42-090	2	2
5	Ball Bearings	*	33	39
6	O-Ring	7-57-075	1	—
6	O-Ring	7-57-303	—	1
7	4" NPT Outlet	107090	1	—
7	5" NPT Outlet	107092	—	1
8	Brake Stem	7-69-465	1	1
9	Brake Handle	7-21-286	1	1
10	Socket Head Screw	7-65-024	1	1
11	Grease Fitting	7-13-191	1	1

*Packet of 50 Ball Bearings—P/N 116252



ISO 9001 REGISTERED COMPANY

PHONE: 330.264.5678 or 800.228.1161 | FAX: 330.264.2944 or 800.531.7335 | www.akronbrass.com
 Available in Canada through AKRON MANUFACTURING COMPANY
 PHONE: 519.773.8431 | FAX: 519.773.3794

AB-629 (REV. 4/99)

WARRANTY AND DISCLAIMER: We warrant Akron Brass products for a period of five (5) years after purchase against defects in materials or workmanship. Akron Brass will repair or replace product which fails to satisfy this warranty. Repair or replacement shall be at the discretion of Akron Brass. Products must be promptly returned to Akron Brass for warranty service. We will not be responsible for: wear and tear; any improper installation, use, maintenance or storage; negligence of the owner or user; repair or modification after delivery; damage; failure to follow our instructions or recommendations; or anything else beyond our control. WE MAKE NO WARRANTIES, EXPRESS OR IMPLIED, OTHER THAN THOSE INCLUDED IN THIS WARRANTY STATEMENT, AND WE DISCLAIM ANY IMPLIED WARRANTY OF MERCHANTABILITY OR FITNESS FOR ANY PARTICULAR PURPOSE. Further, we will not be responsible for any consequential, incidental or indirect damages (including, but not limited to, any loss of profits) from any cause whatsoever. No person has authority to change this warranty.

© Premier Farnell Corporation. 2000 All rights reserved. No portion of this can be reproduced without the express written consent of Premier Farnell Corporation.

A Premier Farnell Company