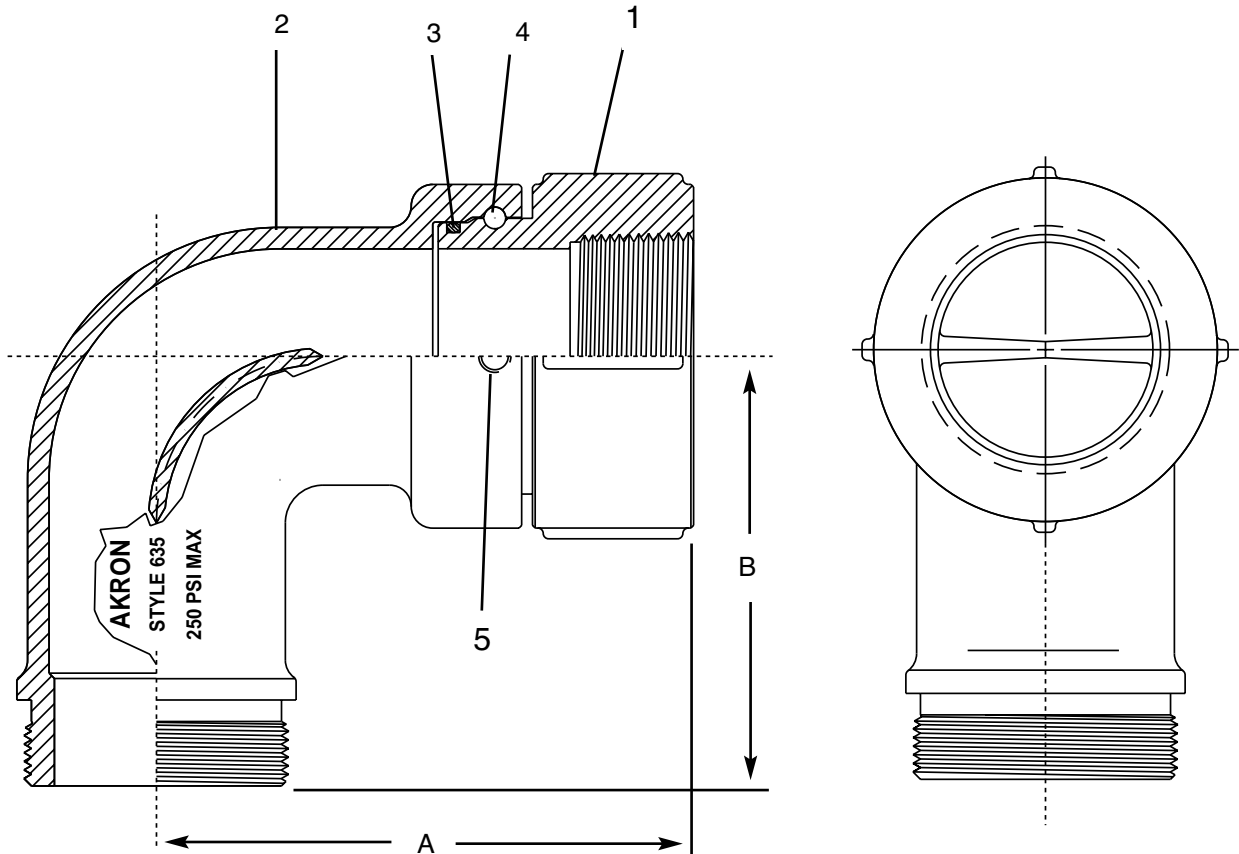


TECHNICAL SERVICE PARTS LIST



SIZE	A	B
1 1/2" Short	3 3/32"	2 7/16"
1 1/2" Long	3 3/32"	4 5/8"
2" Short	3 3/32"	2 7/16"
2" Long	3 3/32"	4 5/8"
2 1/2"	6 1/4"	5"



**STYLE 0635
SWIVEL ELBOW
1 1/2", 2" and 2 1/2"**

TECHNICAL SERVICE PARTS LIST

INSTALLATION

1. Make sure Elbow swivels 360° continuously before installation.
2. Use pipe compound on NPT threads to assure a good seal.
3. Tighten NPT thread with pipe wrench or strap wrench.

ITEM	DESCRIPTION	PART NUMBER	QUANTITY				
			1 1/2" SHORT	1 1/2" LONG	2" SHORT	2" LONG	2 1/2"
1	1 1/2" NPT Swivel	101834	1	1	–	–	–
1	2" NPT Swivel	101833	–	–	1	1	–
1	2 1/2" NPT Swivel	117035	–	–	–	–	1
2	1 1/2" NH Short Elbow	105750	1	–	1	–	–
2	1 1/2" NH Long Elbow	105753	–	1	–	1	–
2	2 1/2" NH Elbow	117038	–	–	–	–	1
3	O-Ring	7-57-207	1	1	1	1	–
3	O-Ring	7-57-249	–	–	–	–	1
4	Ball Bearings	7-04-030	50	50	50	50	–
4	Ball Bearings	7-03-017	–	–	–	–	40
5	Screw	7-65-002	1	1	1	1	–
5	Plug	7-42-023	–	–	–	–	1



ISO 9001 REGISTERED COMPANY

PHONE: 330.264.5678 or 800.228.1161 | FAX: 330.264.2944 or 800.531.7335 | www.akronbrass.com
Available in Canada through AKRON MANUFACTURING COMPANY
PHONE: 519.773.8431 | FAX: 519.773.3794

AB-028 (REV. 01/00)

WARRANTY AND DISCLAIMER: We warrant Akron Brass products for a period of five (5) years after purchase against defects in materials or workmanship. Akron Brass will repair or replace product which fails to satisfy this warranty. Repair or replacement shall be at the discretion of Akron Brass. Products must be promptly returned to Akron Brass for warranty service.

We will not be responsible for: wear and tear; any improper installation, use, maintenance or storage; negligence of the owner or user; repair or modification after delivery; damage; failure to follow our instructions or recommendations; or anything else beyond our control. WE MAKE NO WARRANTIES, EXPRESS OR IMPLIED, OTHER THAN THOSE INCLUDED IN THIS WARRANTY STATEMENT, AND WE DISCLAIM ANY IMPLIED WARRANTY OF MERCHANTABILITY OR FITNESS FOR ANY PARTICULAR PURPOSE. Further, we will not be responsible for any consequential, incidental or indirect damages (including, but not limited to, any loss of profits) from any cause whatsoever. No person has authority to change this warranty.

© Premier Farnell Corporation. 2000 All rights reserved. No portion of this can be reproduced without the express written consent of Premier Farnell Corporation.

A Premier Farnell Company