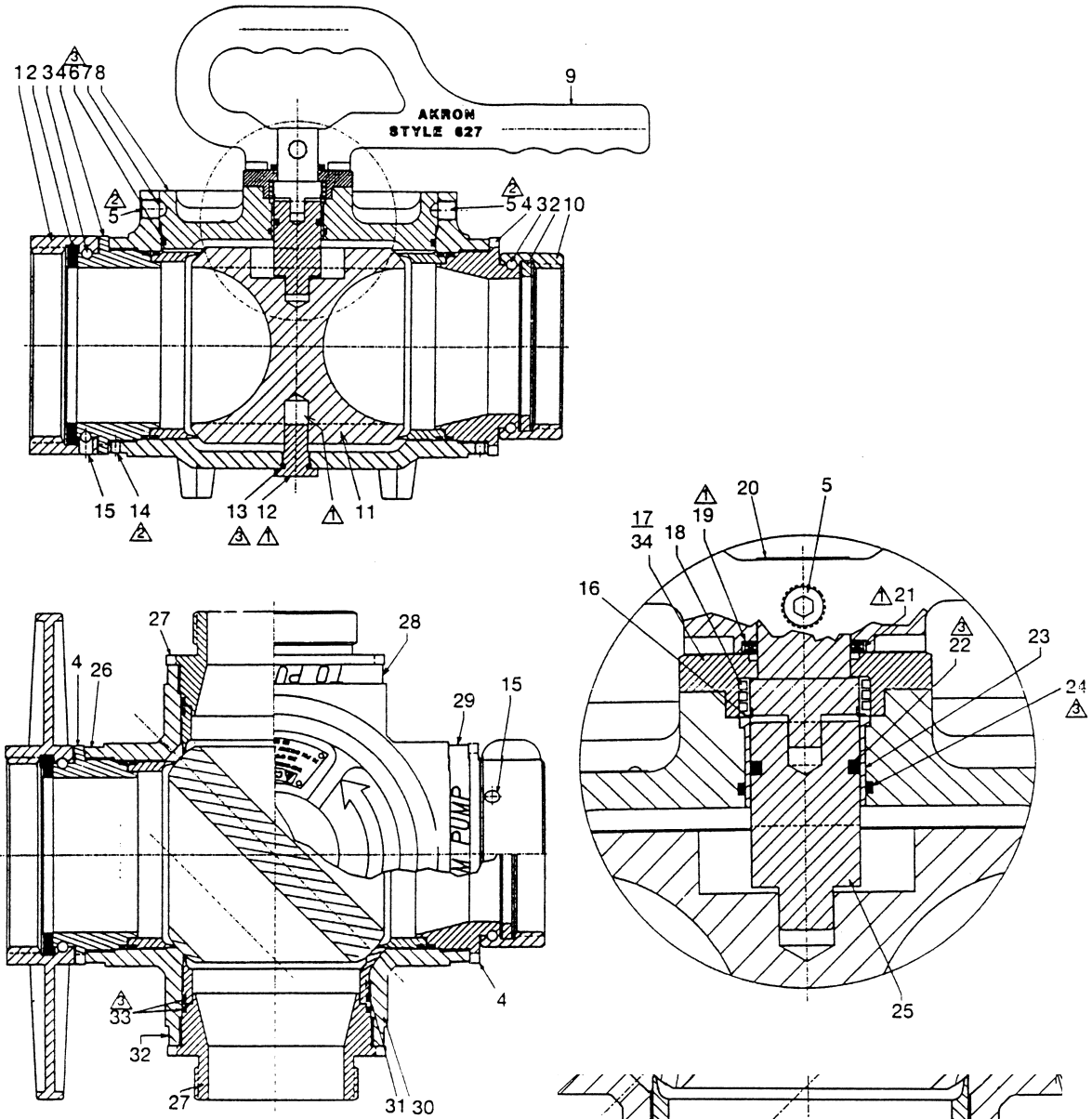


NOTE: This unit is no longer in production. For service and repair, please contact Akron's Customer Service at 800.228.1161 or 330.264.5678.

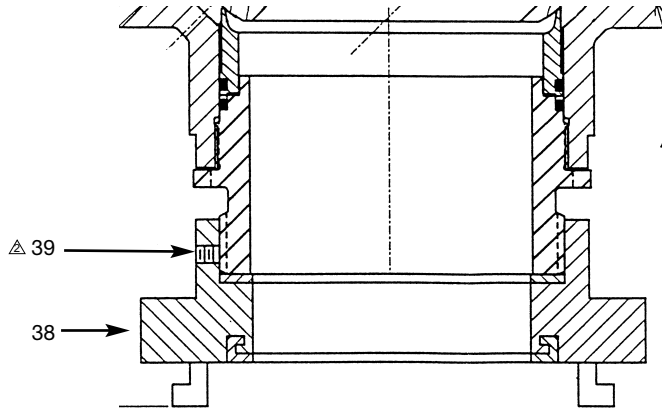
**STYLE 627
4-Way Hydrant Valve**

TECHNICAL SERVICE PARTS LIST



Assembly Notes

- △ Use Low-Temp Lubriplate
- △ Use Loctite 277 or Permabond HH120
- △ Use Parker-O-Lube or equivalent petroleum based lubricant





AKRON

FIREFIGHTING EQUIPMENT

STYLE 627 4-Way Hydrant Valve TECHNICAL SERVICE PARTS LIST

ITEM NO.	DESCRIPTION	PART NUMBER	QUANTITY
1	Long Handle Swivel 4" NH†	104049	1
1	Long Handle Swivel 4.5" NH†	104050	1
2	Swivel Gasket 4"	7-14-024	2
2	Swivel Gasket 4.5"	7-14-025	2
2	Swivel Gasket 2.5"	7-17-043	1
3	Ball Bearings	*	116
4	Swivel Adapter 4"	115331	2
4	Swivel Adapter 4.5"	115301	2
4	Swivel Adapter 2.5"	115329	1
5	Socket Head Set Screw	7-65-139	4
6	O-Ring	7-57-343	1
7	Ball Bearings	**	56
8	Cover	115929	1
9	Handle	115298	1
10	Rocker Lug Swivel 4" NH†	104015	1
10	Rocker Lug Swivel 4.5" NH†	104016	1
10	Rocker Lug Swivel 2.5" NH†	101420	1
11	Ball	115332	1
12	Threaded Trunnion	101769	1
13	O-Ring	7-57-217	1
14	Allen Head Screw	7-65-166	1
15	Swivel Plug	7-42-023	2
16	Retaining Ring	7-58-154	1
17	Retaining Plate	7-42-089	1
18	Tork-Lok Spring	7-68-210	1
19	Shims	7-69-585	2
20	Handle Trunnions	7-73-285	1
21	Friction Spring	7-69-586	2
22	O-Ring	7-57-010	1
23	Trunnion Sleeve	7-69-584	2
24	O-Ring	7-57-257	1
25	Ball Trunnion	7-73-287	1
26	ID Band "Hydrant"	7-03-502	1
27	Male Adapter 4" NH†	115333	2
27	Male Adapter 4.5" NH†	115376	2
27	Male Adapter 2.5 NH†	115335	2
27	Male Adapter 4" BSP (for Storz)	115334	As Req.
27	Male Adapter 5" BSP (for Storz)	115928	As Req.
28	ID Band "TO PUMP"	7-03-499	1
29	ID Band "FROM PUMP"	7-03-501	1
30	Housing	115299	1
31	Seat	115919	4
32	ID Band "TO FIRE"	7-03-503	1
33	O-Ring	7-57-078	8
34	Socket HEad Cap Screw	7-65-028	4
35	Caution Plate (Not Shown)	7-44-373	1
36	Warning Plate (Not Shown)	7-44-374	1
37	Grip Nails (Not Shown)	7-36-045	8
38	4" Storz Head	107070	As Req.
38	5" Storz Head	107071	As Req.
39	Set Screw (for Storz)	7-65-002	As Req.

*Packet of 50 Ball Bearings - P/N 109041

**Packet of 50 Ball Bearings - P/N 109042

†For other threads, order bt description and thread size (ODM and TPI) or by Thread Code.



AKRON

BRASS COMPANY

ISO 9001 REGISTERED COMPANY

PHONE: 330.264.5678 or 800.228.1161 | FAX: 330.264.2944 or 800.531.7335 | www.akronbrass.com

Available in Canada through AKRON MANUFACTURING COMPANY

PHONE: 519.773.8431 | FAX: 519.773.3794

REVISED 08/02

WARRANTY AND DISCLAIMER: We warrant Akron Brass products for a period of five (5) years after purchase against defects in materials or workmanship. Akron Brass will repair or replace product which fails to satisfy this warranty. Repair or replacement shall be at the discretion of Akron Brass. Products must be promptly returned to Akron Brass for warranty service.

We will not be responsible for: wear and tear; any improper installation, use, maintenance or storage; negligence of the owner or user; repair or modification after delivery; damage; failure to follow our instructions or recommendations; or anything else beyond our control. WE MAKE NO WARRANTIES, EXPRESS OR IMPLIED, OTHER THAN THOSE INCLUDED IN THIS WARRANTY STATEMENT, AND WE DISCLAIM ANY IMPLIED WARRANTY OF MERCHANTABILITY OR FITNESS FOR ANY PARTICULAR PURPOSE. Further, we will not be responsible for any consequential, incidental or indirect damages (including, but not limited to, any loss of profits) from any cause whatsoever. No person has authority to change this warranty.

© Premier Farnell Corporation. 2000 All rights reserved. No portion of this can be reproduced without the express written consent of Premier Farnell Corporation.

A Premier Farnell Company