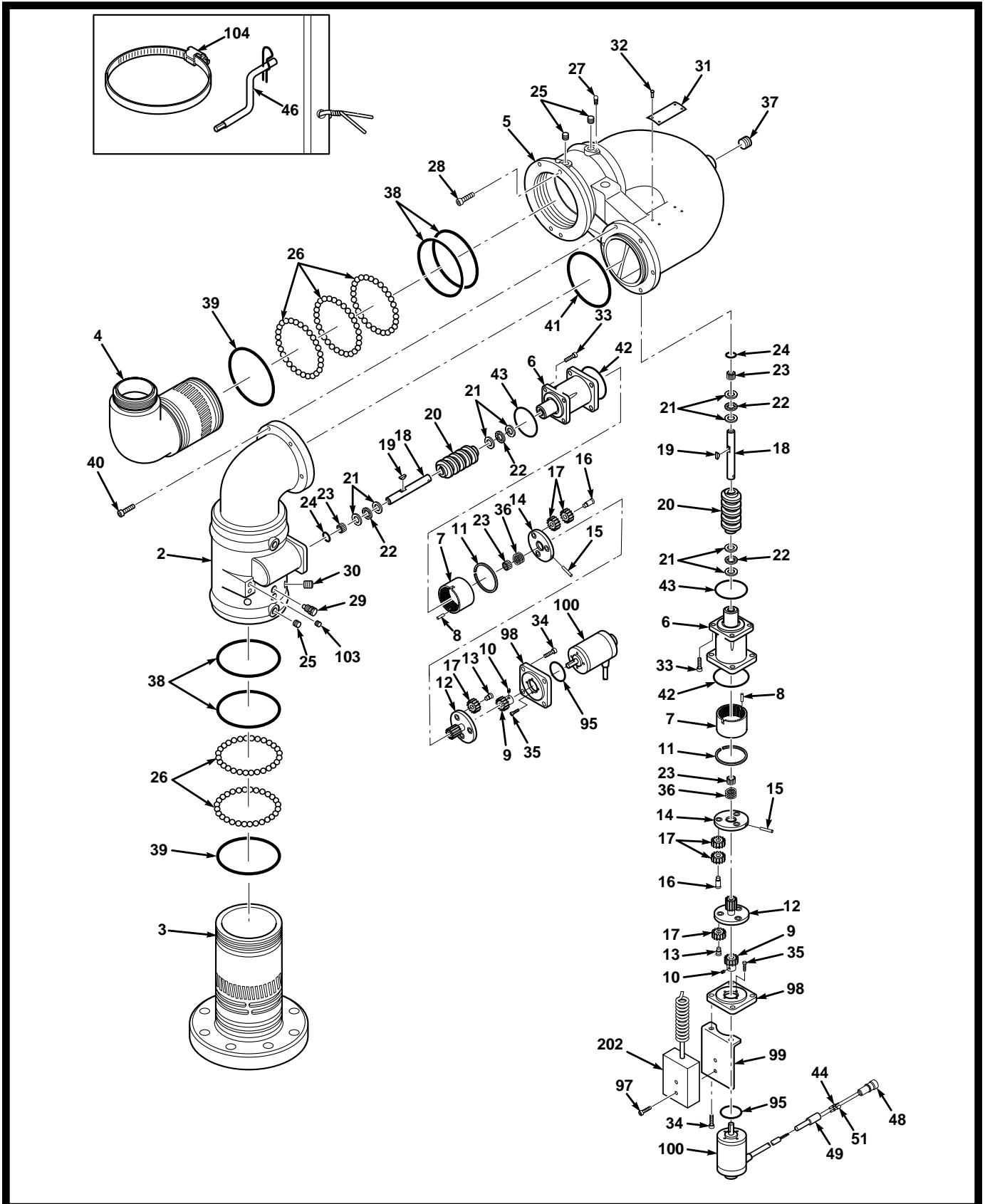
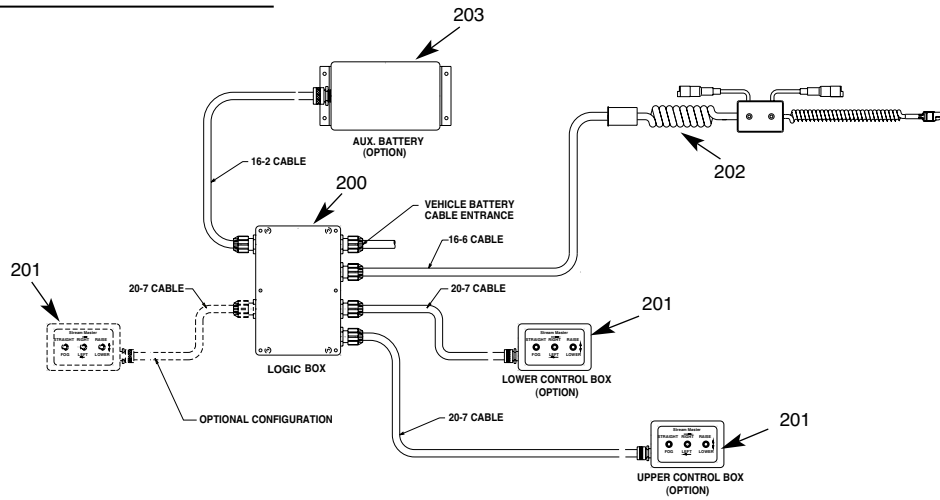


## TECHNICAL SERVICE PARTS LIST





ITEM NO.	DESCRIPTION	PART NUMBER	QUANTITY	ITEM NO.	DESCRIPTION	PART NUMBER	QUANTITY
2	Elbow Inlet	115696	1	33	Socket Head Cap Screw	767086	8
3	Adapter Base	115712	1	34	Socket Head Cap Screw	767041	8
4	Elbow Outlet	115714	1	35	Socket Head Cap Screw	765052	8
5	Elbow Middle	115697	1	36	Spirawave Spring	769592	2
6	Housing Gear	115699	2	37	Pipe Square Socket Plug	744286	1
7	Internal Gear	718190	2	38	O-Ring	757076	4
8	Roll Pin	744288	4	39	O-Ring	757077	1
9	Motor Gear	718163	2	40	Socket Head Cap Screw	765120	6
10	Socket Head Set Screw	765082	2	41	O-Ring	757080	1
11	Retaining Ring	758228	2	42	O-Ring	757024	2
12	Carrier Plate	744388	2	43	O-Ring	757063	2
13	Short Rivet	754052	8	44	Connector Pin	741054	2
14	Output Plate	744390	2	46	Fabricated Crank	707366	1
15	Groove Pin	741062	2	48	Connector Housing	721254	2
16	Long Rivet	754051	8	49	Connector Boot	704280	2
17	Spur Gear	718165	24	51	Connector Socket	769404	2
18	Output Shaft	769590	2	95	O-Ring	757056	2
19	Woodruff Key	727025	2	97	Socket Head Cap Screw	767126	2
20	Worm Gear	718166	2	98	Face Motor Plate	744389	2
21	Thrust Washer	784121	8	99	Wiring Harness Bracket	704619	1
22	Thrust Roller Bearing	704529	4	100	Owosso Motor	731065	2
23	Roller Needle Bearing	704395	4	103	Set Screw	765187	2
24	O-Ring	757313	2	104	Housing Worm Clamp	707400	1
25	Swivel Plug	742112	10	200	PC Board	3578-1039	1
26	Brass Ball	704020	188	201	Control Box	3578-0004	1
27	Grease Fitting	713191	2	202	Wiring Harness	721336	1
28	Socket Head Set Screw	765067	2	203	12V Battery (optional)	3578-0085	1
29	Stop	769498	2				
30	Plug	744337	13				
31	Tag ID	773294	1				
32	Grip Nail	736052	4				