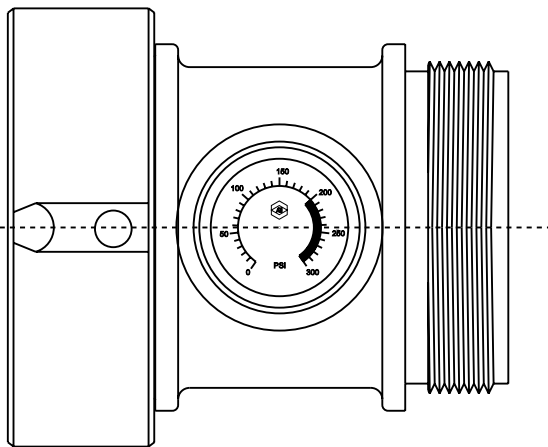
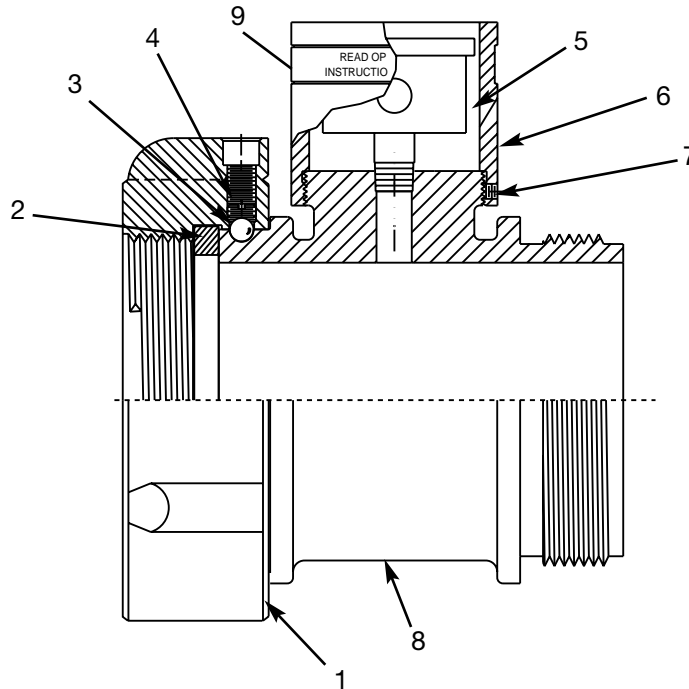
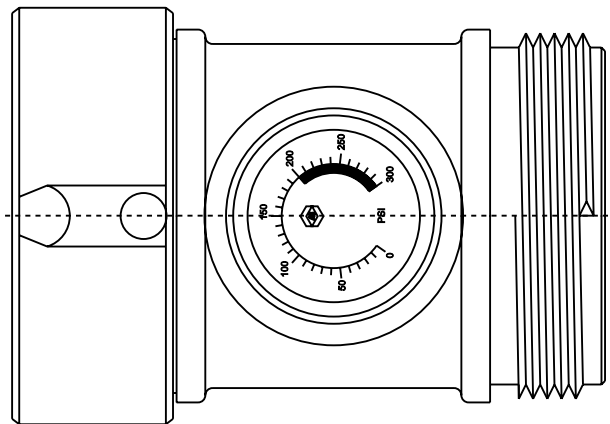


TECHNICAL SERVICE PARTS LIST



3" Line Gauge
Gauge Position



2 1/2" Line Gauge
Gauge Position



STYLE 0035
2 1/2" & 3" Line Gauge

TECHNICAL SERVICE PARTS LIST

ITEM NO.	DESCRIPTION	PART NUMBER	QUANTITY	
			2 1/2"	3"
1	2 1/2" Swivel NH	101420	1	–
1	2 1/2" Swivel FDNY	117074	1	–
1	3" Swivel NH	104013	–	1
1	3" Swivel FDNY	104026	–	1
2	2 1/2" Gasket	717043	1	–
2	3" Gasket	714022	–	1
3	Ball Bearings	703017	39	46
4	Plug	742023	1	1
5	Gauge	718132	1	1
6	Gauge Guard	117077	1	1
7	Screw	765042	1	1
8	2 1/2" Body NH	117078	1	–
8	2 1/2" Body FDNY	117079	1	–
8	3" Body NH	117080	–	1
8	3" Body FDNY	117081	–	1
9	Label	704405	1	1



ISO 9001 REGISTERED COMPANY

PHONE: 330.264.5678 or 800.228.1161 | FAX: 330.264.2944 or 800.531.7335 | www.akronbrass.com
 Available in Canada through AKRON MANUFACTURING COMPANY
 PHONE: 519.773.8431 | FAX: 519.773.3794

AB-403 (REV. 03/00)

WARRANTY AND DISCLAIMER: We warrant Akron Brass products for a period of five (5) years after purchase against defects in materials or workmanship. Akron Brass will repair or replace product which fails to satisfy this warranty. Repair or replacement shall be at the discretion of Akron Brass. Products must be promptly returned to Akron Brass for warranty service.
 We will not be responsible for: wear and tear; any improper installation, use, maintenance or storage; negligence of the owner or user; repair or modification after delivery; damage; failure to follow our instructions or recommendations; or anything else beyond our control. WE MAKE NO WARRANTIES, EXPRESS OR IMPLIED, OTHER THAN THOSE INCLUDED IN THIS WARRANTY STATEMENT, AND WE DISCLAIM ANY IMPLIED WARRANTY OF MERCHANTABILITY OR FITNESS FOR ANY PARTICULAR PURPOSE. Further, we will not be responsible for any consequential, incidental or indirect damages (including, but not limited to, any loss of profits) from any cause whatsoever. No person has authority to change this warranty.

© Premier Farnell Corporation. 2000 All rights reserved. No portion of this can be reproduced without the express written consent of Premier Farnell Corporation.

A Premier Farnell Company