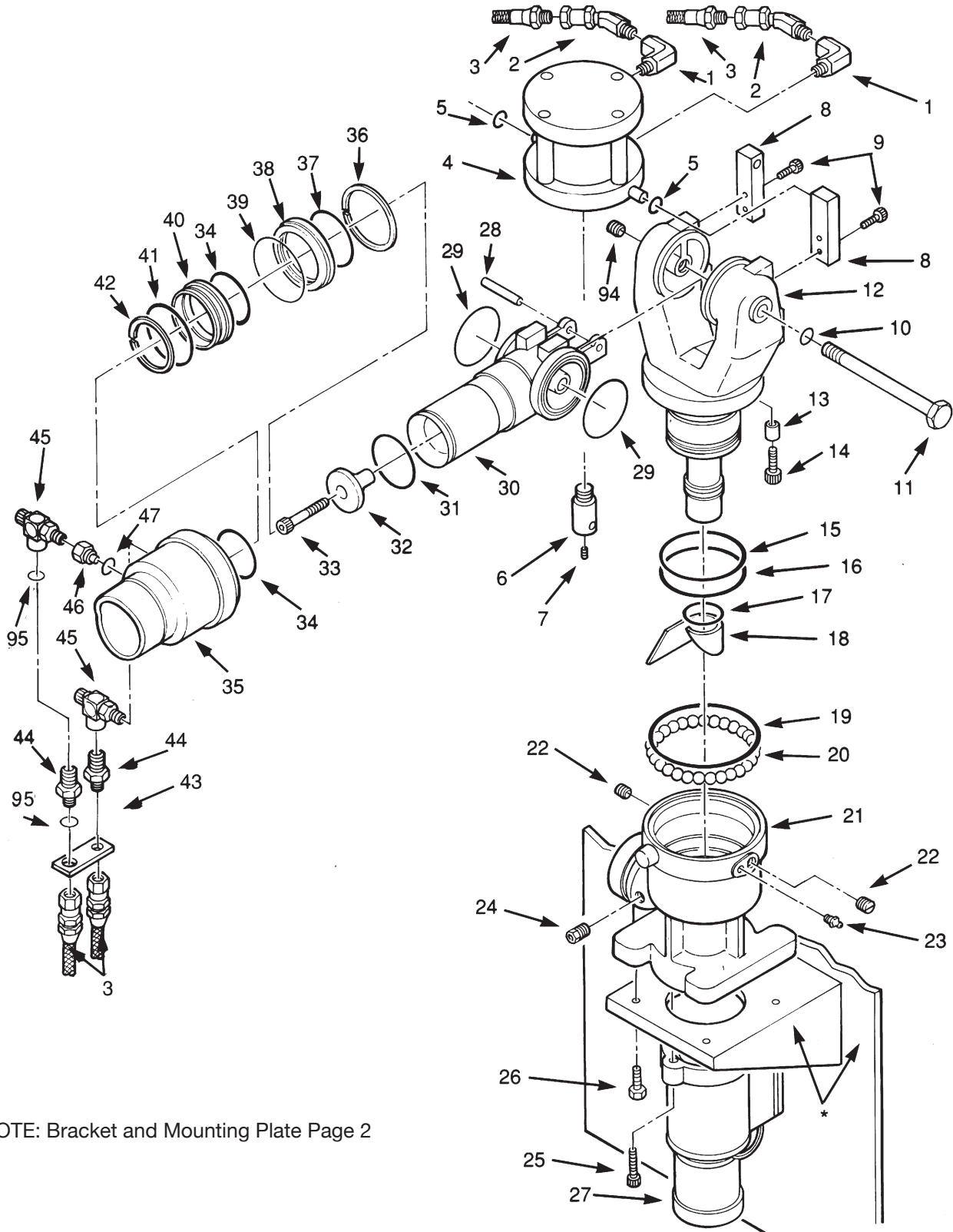
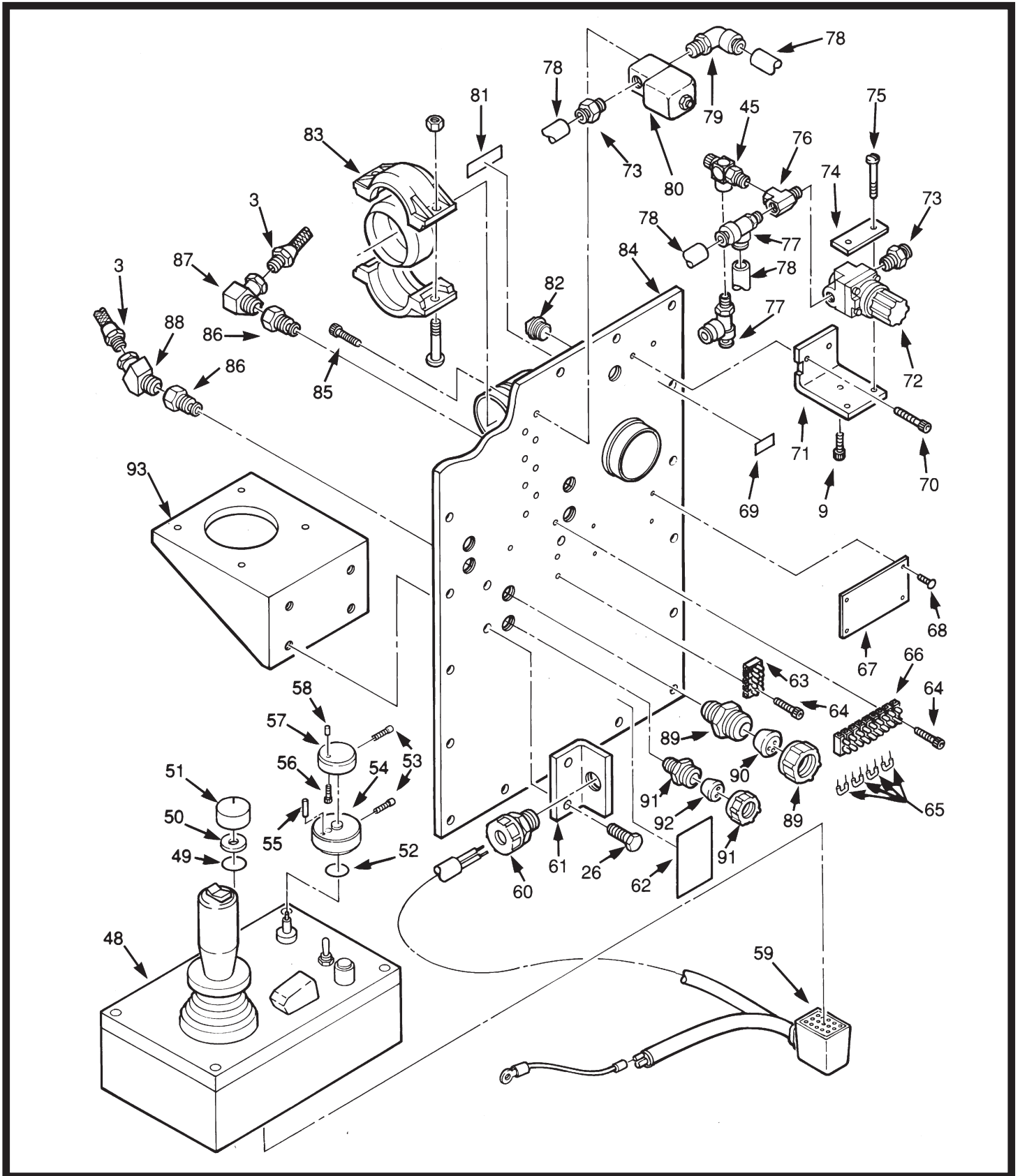


TECHNICAL SERVICE PARTS



*NOTE: Bracket and Mounting Plate Page 2

TECHNICAL SERVICE PARTS





STYLE 3466 BUMPER TURRET TECHNICAL SERVICE PARTS LIST

ITEM NO.	DESCRIPTION	PART NUMBER	QUANTITY
1	Elbow Fitting	7-13-085	2
2	Tube Fitting	7-13-076	2
3	Braided Hydraulic Hose	7-21-265	4
4	Air Cylinder	7-07-260	1
†5	O-Ring	7-57-005	2
6A	Cylinder Eye 250-300 GPM	7-10-089	1
6B	Cylinder Eye 500 GPM	7-10-104	1
7	Set Screw	7-65-025	1
8	Cylinder Pivot	7-45-078	2
9	Socket Head Cap Screw	7-67-086	5
†10	O-Ring	7-57-095	1
11	Hex Head Cap Screw	7-76-083	1
12	Siamese	104493	1
13	Stop Spacer	7-70-270	1
14	Socket Head Cap Screw	7-66-036	1
†15	O-Ring	7-57-046	1
†16	O-Ring	7-57-029	1
†17	O-Ring	7-57-064	1
18	Rulon Bearings	7-04-288	1
†19	O-Ring	7-57-036	1
20	Ball Bearings	7-04-020	29
21	Inlet Elbow	104477	1
22	Swivel Plug	7-42-024	2
23	Grease Fitting	7-13-191	1
24	Pipe Plug	7-44-009	1
25	Socket Head Cap Screw	7-67-112	3
26	Hex Head Cap Screw	7-61-072	4
27 A	Motor/Actuator (12 volt)	3465-0055	1
27 B	Motor/Actuator (24 volt)	3465-0056	1
27 C	Motor Only (12 volt)	3465-0175	1
27 D	Motor Only (24 volt)	3465-0176	1
28	Cylinder Pin	7-44-302	1
†29	O-Ring	7-57-289	2
30A	Outlet Tee 250-300 GPM	104494	1
30B	Outlet Tee 500 GPM	109544	1
†31	O-Ring	7-57-246	1
32A	Baffle-250 GPM	104491	1
32B	Baffle-300 GPM	104468	1
32C	Baffle-500 GPM	109548	1
33	Socket Head Cap Screw	7-67-096	2
†34A	O-Ring 250-300 GPM	7-57-285	2

ITEM NO.	DESCRIPTION	PART NUMBER	QUANTITY
34B	O-Ring 500 GPM	07-57-159	1
35A	Pattern Sleeve 250-300 GPM	109304	1
35B	Pattern Sleeve 500 GPM	109545	1
36	Retaining Ring	7-58-187	1
†37A	O-Ring 250-300 GPM	7-57-286	1
37B	O-Ring 500 GPM	07-57-332	2
38A	Rear Piston 250-300 GPM	104482	1
38B	Rear Piston 500 GPM	109546	1
†39	O-Ring	7-57-287	1
40A	Center Piston 250-300 GPM	104482	1
40B	Center Piston 500 GPM	109547	1
†41	O-Ring	7-57-288	1
42	Retaining Ring	7-58-186	1
43	Flow Bracket	7-04-307	1
44	Straight Fitting	7-13-083	2
45	Control Valve	7-79-058	3
46	Air Connector	7-07-262	1
†47	O-Ring	7-57-022	1
*48	Control Package (Complete)	34660010	1
†49	O-Ring	7-57-226	1
50	Spacer	7-70-269	1
51	Control Knob	7-27-037	1
†52	O-Ring	7-57-243	1
53	Socket Head Cap Screw	7-65-042	2
54	Left Limit Knob	104478	1
55	Roll Pin	7-44-050	1
56	Socket Head Cap Screw	7-67-019	1
57	Right Limit Knob	104479	1
58	Roll Pin	7-44-066	1
59	Wiring Harness	7-21-262	1
60	Cord Grip	7-18-105	1
61	Cord Bracket	7-04-291	1
62	Wiring Label	7-29-123	1
63	Terminal Block	7-04-293	1
64	Socket Head Cap Screw	7-67-094	4
65	Jumper	7-25-026	4
66	Terminal Block	7-04-293	1
67	Identification Plate	7-44-359	1
68	Nail Grip	7-36-045	4
69	Air Inlet Label	7-29-125	1
70	Socket Head Cap Screw	7-65-014	2

ITEM NO.	DESCRIPTION	PART NUMBER	QUANTITY
71	Regulating Bracket	7-04-290	1
72	Air Regulator	7-58-190	1
73	Male Fitting	7-13-082	5
74	Regulator Clamp	7-07-263	1
75	Round Head Screw	7-66-035	2
76	Tee Fitting	7-13-084	1
77	Tee Fitting	7-13-080	2
78	Nylon Hose (1/4" x 20 mtr per Assem.)	7-21-261	4
79	90° Elbow Fitting	7-10-091	4
80	Solenoid Valve	7-69-420	4
81	Speed Control Label	7-29-124	1
82	Access Plug	7-44-303	1
83	2" Victablic Coupling	7-07-259	1
84	Mounting Plate with Elbow	7-45-077	1
85	Socket Head Cap Screw	7-65-152	8
86	Bulk Head Fitting	7-13-081	4
87	Elbow Fitting	7-10-090	2
88	45° Elbow Fitting	7-10-092	2
89	Grip	7-18-141	1
90	3 Hole Grommet	7-03-398	1
91	Grip	7-18-014	1
92	2 Hole Grommet	7-18-098	1
93	Turret Bracket	104490	1
94	Socket Head Set Screw	7-65-099	1
95	O-Ring	7-57-295	2
96	P.C. Board	7-04-562	1

† Parts included in 91960001 service kit