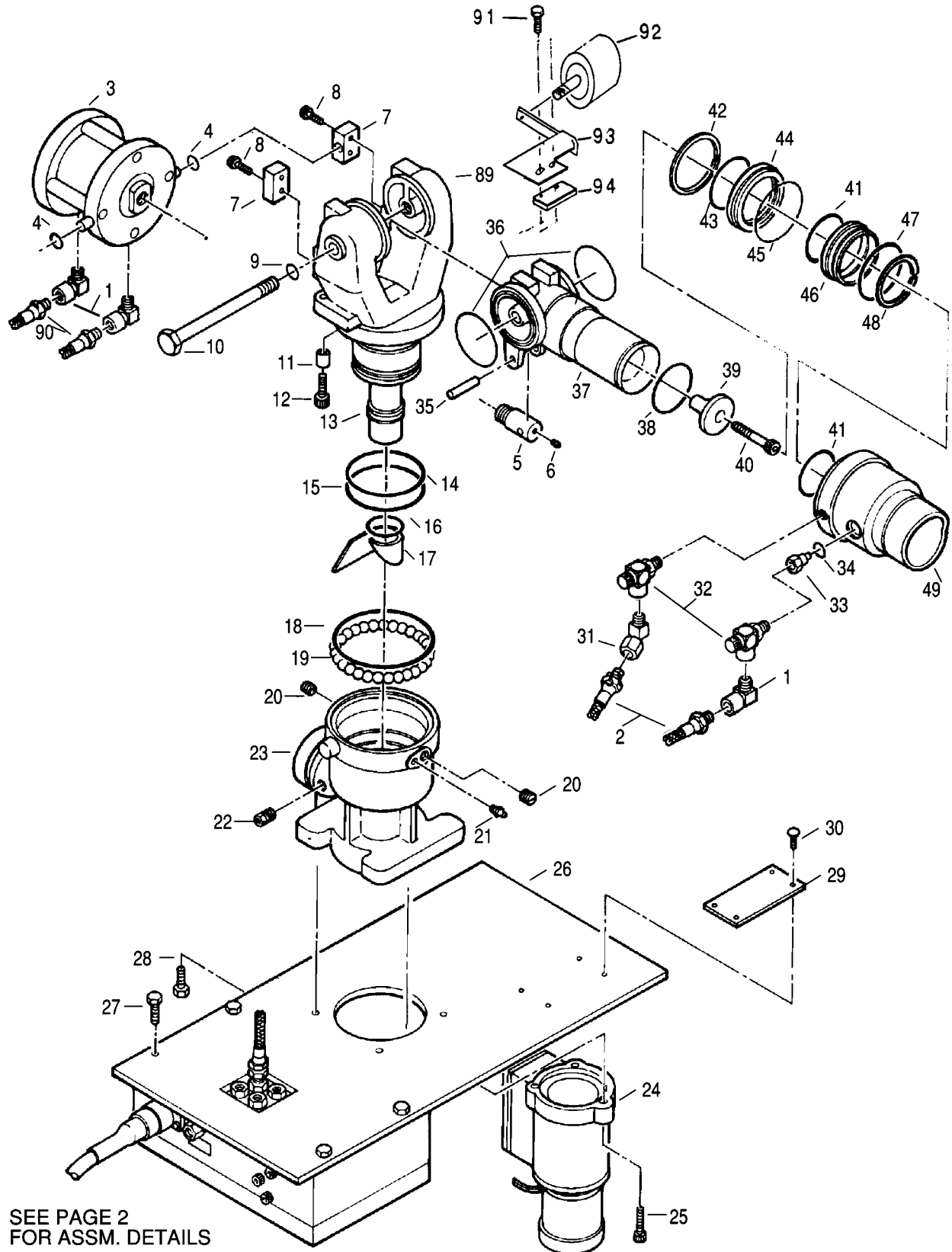
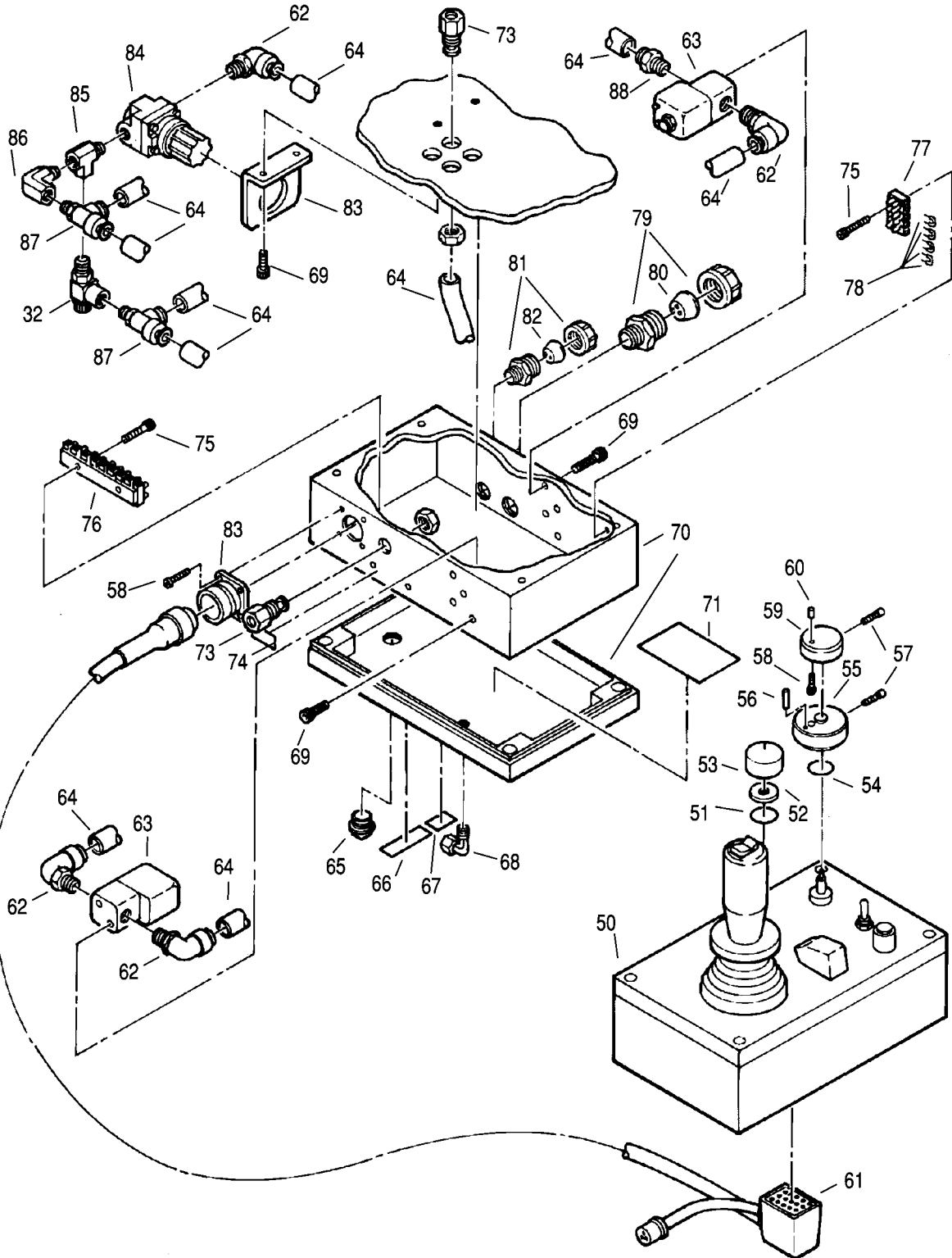


TECHNICAL SERVICE PARTS



SEE PAGE 2
FOR ASSM. DETAILS





STYLE 3465 BUMPER TURRET TECHNICAL SERVICE PARTS LIST

ITEM NO.	DESCRIPTION	PART NUMBER	QTY
1	90° Fitting	7-13-199	3
2	Braided Hose	7-21-265	2
3	Air Cylinder	109216	1
4	O-Ring	7-57-005	2
5	Cylinder Eye	7-07-266	1
6	Set Screw	7-65-025	1
7	Cylinder Pivot	7-07-267	2
8	Socket Head Cap Screw	7-67-086	4
9	O-Ring	7-57-095	1
10	Hex Head Cap Screw (Bolt)	7-61-083	1
11	Stop Spacer	7-70-270	1
12	Socket Head Cap Screw	7-66-036	1
13	Siamese	104493	1
14	O-Ring	7-57-046	1
15	O-Ring	7-57-029	1
16	O-Ring	7-57-064	1
17	Rulon Bearing	7-04-288	1
18	O-Ring	7-57-036	1
19	Ball Bearing	7-04-020	29
20	Celcon Plug	7-42-024	2
21	Grease Fitting	7-13-191	1
22	Pipe Plug	7-44-009	1
23	Inlet Elbow	104477	1
24A	Motor/Actuator (12 Volt)	3465-0055	1
24B	Motor/Actuator (24 Volt)	3465-0056	1
24C	Motor Only (12 Volt)	3465-0175	1
24D	Motor Only (24 Volt)	3465-0176	1
25	Socket Head Cap Screw	7-37-112	3
26A	Mounting Plate	109215	1
26B	Mounting Plate (Trapezoid)	109421	1
27	Hex Head Cap Screw	7-61-070	4
28	Hex Head Cap Screw	7-61-072	4
29	Ident Plate	7-44-359	1
30	Nail Grip	7-36-045	4
31	Tube Fitting	7-13-067	1
32	Control Valve	7-79-058	3
33	Air Connector	7-07-262	1
34	O-Ring	7-57-022	1
35	Cylinder Pin	7-44-302	1
36	O-Ring	7-57-289	2
37A	Outlet Tee (Up to 300 GPM)	104485	1
37B	Outlet Tee (Above 300 GPM)	109544	1

ITEM NO.	DESCRIPTION	PART NUMBER	QTY
38A	O-Ring	7-57-246	1
38B	O-Ring (500 GPM)	7-57-159	1
39A	Baffle 300 GPM	104468	1
39B	Baffle 200 GPM	104470	1
39C	Baffle 250 GPM	104491	1
39D	Baffle 95 GPM	104469	1
39E	Baffle 150 GPM	104471	1
39F	Baffle 125 GPM	104473	1
39G	Baffle 60 GPM	104472	1
39H	Baffle 500GPM	109548	1
39J	Baffle 400 GPM	109584	1
40A	Socket Head Cap Screw	7-67-096	1
40B	Socket Head Cap Screw (400 GPM)	7-67-142	1
41A	O-Ring	7-57-285	2
41B	O-Ring (500 GPM)	7-57-159	2
42A	Retaining Ring	7-58-187	1
42B	Retaining Ring (500 GPM)	7-58-219	1
43A	O-Ring	7-57-286	1
43B	O-Ring (400 GPM)	7-57-332	1
44A	Rear Piston	104481	1
44B	Rear Piston (400 GPM)	109546	1
45A	O-Ring	7-57-287	1
45B	O-Ring (400 GPM)	7-57-161	1
46A	Center Piston	104482	1
46B	Center Piston (400 GPM)	109547	1
47A	O-Ring	7-57-323	1
47B	O-Ring (500 GPM)	7-57-161	1
48A	Retaining Ring	7-58-186	1
48B	Retaining Ring (400 GPM)	7-58-187	1
49A	Pattern Sleeve	109304	1
49B	Pattern Sleeve (400 GPM)	109545	1
50A*	Control Box Assembly Landscape (12 Volt)	3465-0076	1
50B*	Control Box Assembly Landscape (24 Volt)	34650072	1
50C*	Control Box Assembly Portrait (12 Volt)	34650073	1
50D*	Control Box Assembly Portrait (24 Volt)	34650077	1
51	O-Ring	7-57-226	1
52	Spacer	7-70-269	1
53	Control Knob	7-27-037	1
54	O-Ring	7-57-243	1
55	Left Limit Knob	104478	1
56	Roll Pin	7-44-050	1
57	Socket Head Cap Screw	7-65-164	2



STYLE 3465 BUMPER TURRET TECHNICAL SERVICE PARTS LIST

ITEM NO.	DESCRIPTION	PART NUMBER	QTY
58	Socket Head Cap Screw	7-67-019	4
59	Right Limit Knob	104479	1
60	Roll Pin	7-44-066	1
61A	8 Ft. Wiring Harness w/Plugs	7-21-263	1
61B	12 Ft. Wiring Harness w/Plugs	7-21-264	1
61C	25 Ft. Wiring Harness w/Plugs	7-21-269	1
62	90° Fitting	7-10-091	7
63A	Solenoid Valve (12 Volt)	7-69-420	4
63B	Solenoid Valve (24 Volt) (500 GPM)	7-69-464	4
64	Nylon Hose 60"	7-21-261	1
65	Access Plug	7-44--303	1
66	Speed Cont. Label	7-29-124	1
67	Air Exhaust Label	7-29-126	1
68	Elbow Fitting	7-13-075	1
69	Socket Head Cap Screw	7-65-152	10
70	Junction Box	7-03-414	1
71	Wiring Label	7-29-123	1
72	Connector Plug	7-07-265	1
73	Fitting	7-13-081	5
74	Air Inlet Label	7-29-125	1
75	Socket Head Cap Screw	7-67-094	4
76	Terminal Block	7-04-293	1
77	Terminal Block	7-04-294	1
78	Jumper	7-25-024	4
79	Grip	7-18-141	1
80	3 Hole Bushing	7-03-398	1
81	Grip	7-18-014	1
82	2 Hole Bushing	7-18-098	1
83	Regulator Bracket	7-04-306	1
84	Air Regulator	7-58-190	1
85	Tee Fitting	7-13-084	1
86	Elbow Fitting	7-13-085	1
87	Male Fitting	7-13-080	2
88	Fitting	7-13-082	2

ITEM NO.	DESCRIPTION	PART NUMBER	QTY
89	Set Screw	7-65-099	1
90	Hose Braided	7-21-260	2
91	Screw	7-61-089	2
92	Counter Balance (Units over 300 GPM)	104467	1
93	Bracket	7-04-355	1
94	Spacer	7-69-468	1
95A	PC Board (12 Volt)	7-04-558	1
95B	PC Board (24 Volt)	7-04-557	1
96	Joystick	34650174	1



PHONE: 330.264.5678 or 800.228.1161 | FAX: 330.264.2944 or 800.531.7335 | www.akronbrass.com

REVISED: 8/08

WARRANTY AND DISCLAIMER: We warrant Akron Brass products for a period of five (5) years after purchase against defects in materials or workmanship. Akron Brass will repair or replace product which fails to satisfy this warranty. Repair or replacement shall be at the discretion of Akron Brass. Products must be promptly returned to Akron Brass for warranty service.

We will not be responsible for: wear and tear; any improper installation, use, maintenance or storage; negligence of the owner or user; repair or modification after delivery; damage; failure to follow our instructions or recommendations; or anything else beyond our control. WE MAKE NO WARRANTIES, EXPRESS OR IMPLIED, OTHER THAN THOSE INCLUDED IN THIS WARRANTY STATEMENT, AND WE DISCLAIM ANY IMPLIED WARRANTY OF MERCHANTABILITY OR FITNESS FOR ANY PARTICULAR PURPOSE. Further, we will not be responsible for any consequential, incidental or indirect damages (including, but not limited to, any loss of profits) from any cause whatsoever. No person has authority to change this warranty.

© Premier Farnell Corporation. 2000 All rights reserved. No portion of this can be reproduced without the express written consent of Premier Farnell Corporation.

A Premier Farnell Company