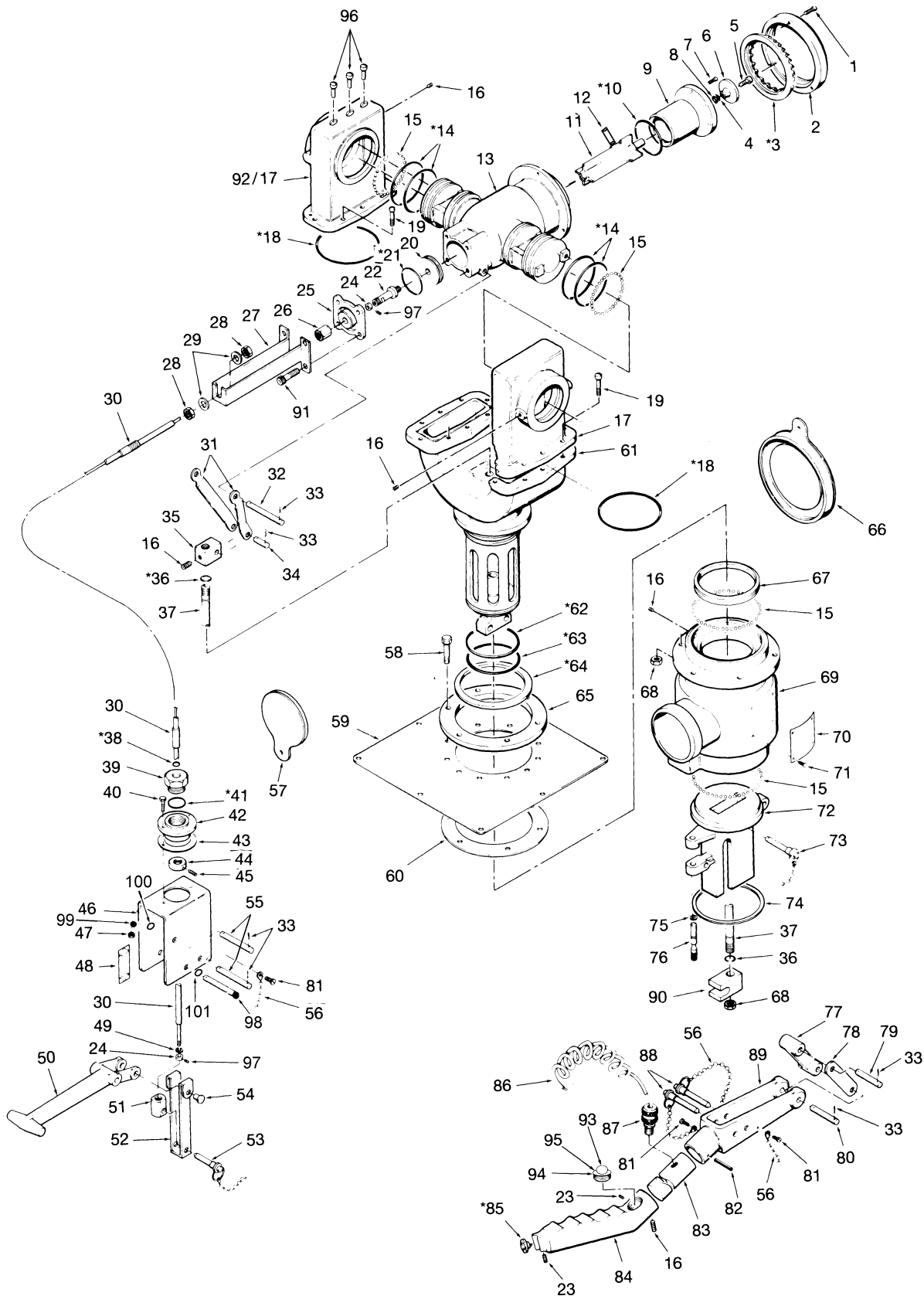


TECHNICAL SERVICE PARTS LIST



TECHNICAL SERVICE PARTS LIST

ITEM NO.	DESCRIPTION	PART NO.	QTY.	ITEM NO.	DESCRIPTION	PART NO.	QTY.
1	Socket Head Cap Screw	7-65-052	3	52	Cable Connector	7-07-094	1
2	Retaining Ring	105700	1	53	Security Pin	7-04-159	1
*3	Turbine	7-72-101	1	54	Clevis Pin	7-44-170	2
4	Shim	7-68-141	As Required	55	Lever Pin	7-44-175	2
5	Socket Head Cap Screw	7-63-043	1	56	Beaded Chain	7-06-254	5
6	Baffle Head	105689	1	57	Control Weather Cap	7-07-096	1
7	Set Screw	7-65-042	4	58	Hex Head Cap Screw	7-65-107	6
8	Spacer	7-69-224	1	59	Mounting Plate	7-42-067	1
9	Throat	105702	1	60	Pot Flange Gasket	7-14-165	1
*10	O-Ring 2-5/8 x 2-3/8	7-57-205	1	61	Siamese/Base	109858	1
11	Blade	105688	1	*62	O-Ring 3-3/4 x 3-1/2	7-57-036	1
12	Roll Pin	7-44-197	4	*63	O-Ring 3-5/8 x 3-3/8	7-57-216	1
13	Nozzle Body	105687	1	*64	Seal Ring	7-69-260	1
*14	O-Ring 3-1/8 x 2-7/8	7-57-065	4	65	Pot Flange	105692	1
15	Ball Bearings	7-03-050	244	66	Monitor Weather Cap	7-07-097	1
16	Set Screw	7-65-083	4	67	Bearing Ring	7-03-035	1
17	Stanchion	105701	1	68	Hex Nut	7-34-063	7
*18	O-Ring 4-1/8 x 3-7/8	7-57-210	2	69	Roof Pot	105699	1
19	Socket Head Cap Screw	7-67-003	16	70	Name Plate	7-44-185	1
20	Front Plunger	105698	1	71	Drive Screw	7-36-045	4
*21	O-Ring 2 x 1-3/4	7-57-182	1	72	Drive Socket	105743	1
22	Extension Blade	105740	1	73	Security Pin	7-04-158	2
23	Set Screw	7-67-026	2	74	Spirolox Ring	7-58-133	1
24	Cable Core Collar	7-07-090	2	75	Snap Ring	7-58-247	1
25	Bearing Plate	105697	1	76	Lock Pin	7-41-050	1
26	Cable Monitor Nut	7-34-068	1	77	Handle Yoke Spacer	7-69-261	1
27	Nozzle Cable Bracket	7-04-161	1	78	Lower Control Link	7-29-055	2
28	Hex Jam Nut	7-34-065	2	*79	Clevis Pin	7-44-172	1
29	Washer	7-84-054	2	80	Clevis Pin	7-44-171	1
30	Pattern Control Cable	7-07-095	1	81	Machine Screw	7-61-041	3
30	Pattern Control Cable Special	7-07-428	1	82	Roll Pin	7-44-169	1
31	Upper Control Link	7-29-056	2	83	Operating Handle	7-21-176	1
32	Nozzle Clevis Pin	7-44-173	1	83	Operating Handle Special	117931	1
33	Cotter Pin	7-44-168	12	84	Handle Grip — Standard	105738	1
34	Clevis Pin	7-44-174	1	84	Handle Grip — Coated	109022	1
35	Upper Control Block	7-07-093	1	84	Handle Grip — Special	7-18-071	1
*36	O-Ring 1/2 x 3/8	7-57-180	2	*85	Switch	7-69-473	1
37	Control Rod	7-56-075	1	86	Coiled Cable	7-07-327	1
*38	O-Ring 5/8 x 7/16	7-57-198	1	87	Cable Grip	7-18-014	1
39	Cable Roof Nut	7-34-067	1	88	Security Pin	7-04-160	2
40	Hex Head Cap Screw	7-61-064	2	89	Handle Yoke	105739	1
*41	O-Ring 1 x 3/4	7-57-001	1	90	Lower Control Block	7-07-092	1
42	Roof Connector	105741	1	91	Socket Head Cap Screw	7-66-036	4
43	Connector Gasket	7-14-164	1	92	Stanchion	106354	1
44	Cable Housing Collar	7-07-091	1	93	Lens	7-29-198	1
45	Set Screw	7-65-025	1	94	Light Indicator	7-29-199	1
46	Lever Bracket	7-04-162	1	95	Incandescent Lamp	7-29-200	1
47	Hex Nut	7-34-061	2	96	Cap Plug	7-44-194	3
48	Pattern Control Decal	7-08-067	2	97	Set Screw	7-65-082	2
49	Truarc Ring	7-58-134	1	98	Bolt	7-67-154	1
50	Nozzle Pattern Lever	105732	1	99	Nut	7-35-068	1
51	Cable Swivel Eye	7-10-059	1	100	Washer	7-84-145	2
				101	Washer	7-84-075	1

*Parts included in Repair Kit Style 9170.