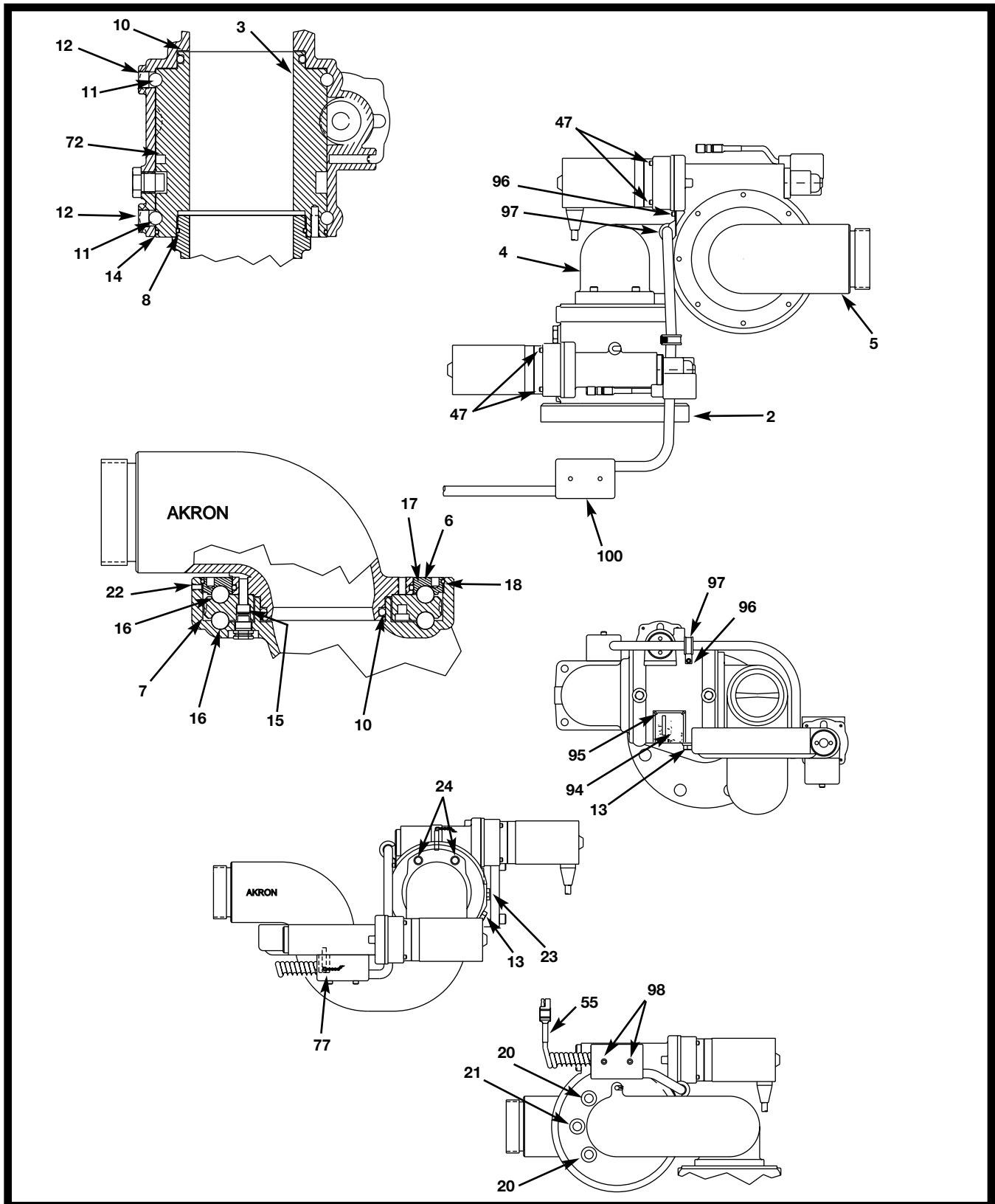


TECHNICAL SERVICE PARTS LIST





STYLE 3352
TuckAway™ Electric Monitor

TECHNICAL SERVICE PARTS LIST

ITEM NO.	DESCRIPTION	PART NUMBER	QUANTITY
2	Flange	118477	1
3	Sleeve	118096	1
4	Middle Elbow	117698	1
5	Outlet Elbow	117695	1
6	Ring Ball Retainer	117690	1
7	Gear Outlet	117689	1
8	O-Ring	757327	2
10	O-Ring	757365	2
11	Brass Ball	*	*
12	Swivel Plug	742112	4
13	Vertical Stop	769596	2
14	O-Ring	757326	1
15	Socket Head Cap Screw	765030	5
16	Bronze Ball	**	**
17	O-Ring	757102	1
18	O-Ring	757366	1
20	Stop	769498	2
21	Plug	744337	1
22	Socket Head Set Screw	765042	1
23	Socket Head Cap Screw Plug	744397	2
26	O-Ring	757041	2
27	Gear Worm	718166	2
28	Thrust Washer	784121	8
29	Bearing Thrust Roller	704529	4
30	Bearing	704393	2
31	Rotation Shaft	769630	1
32	Elevation Shaft	769631	1
33	Bearing Cap	118487	2
34	O-Ring	757329	2
35	Bearing Roller Needle	704395	2
37	Pin Groove	741056	2
38	Carrier Output	707325	2
39	Key	727044	2
40	Gear Spur	718165	12
41	Plate Carrier	742119	2
42	Rivet	754052	12
43	Gear Internal Elevation	718164	2
44	Pin Roll	744288	4
45	O-Ring	757312	2
46	Spring	769276	8
47	Socket Head Cap Screw	767132	8
48	Socket Head Cap Screw	765052	8
49	O-Ring	757056	2
50	Housing - Elevation	109320	2



STYLE 3352
TuckAway™ Electric Monitor

ITEM NO.	DESCRIPTION	PART NUMBER	QUANTITY
51	Motor	35780011	2
53	Gear Motor	718163	2
54	Socket Head Set Screw	765082	2
94	ID Tag	773330	1
95	Nail Grip	736052	4
96	Socket Head Screw	765064	2
97	Clamp	707367	2
98	Socket Head Cap Screw	767126	4
100	Wiring Harness	721364	1
200	Sensor	33520003	2
202	O-Ring	757042	2
203	Socket Head Set Screw	765042	6
204	Shaft	769641	2
205	Worm Pattern Actuator	785021	2
206	Roll Pin	744341	2
220	Washer	784072	2
Not Shown	PC Board	33520014	1

*Packet of 50 Balls #109342

**Packet of 50 Balls #116252



ISO 9001 REGISTERED COMPANY

PHONE: 330.264.5678 or 800.228.1161 | FAX: 330.264.2944 or 800.531.7335 | www.akronbrass.com

Available in Canada through AKRON MANUFACTURING COMPANY

PHONE: 519.773.8431 | FAX: 519.773.3794

REVISED 6/06

WARRANTY AND DISCLAIMER: We warrant Akron Brass products for a period of five (5) years after purchase against defects in materials or workmanship. Akron Brass will repair or replace product which fails to satisfy this warranty. Repair or replacement shall be at the discretion of Akron Brass. Products must be promptly returned to Akron Brass for warranty service.

We will not be responsible for: wear and tear; any improper installation, use, maintenance or storage; negligence of the owner or user; repair or modification after delivery; damage; failure to follow our instructions or recommendations; or anything else beyond our control. WE MAKE NO WARRANTIES, EXPRESS OR IMPLIED, OTHER THAN THOSE INCLUDED IN THIS WARRANTY STATEMENT, AND WE DISCLAIM ANY IMPLIED WARRANTY OF MERCHANTABILITY OR FITNESS FOR ANY PARTICULAR PURPOSE. Further, we will not be responsible for any consequential, incidental or indirect damages (including, but not limited to, any loss of profits) from any cause whatsoever. No person has authority to change this warranty.

© Premier Farnell Corporation, 2000 All rights reserved. No portion of this can be reproduced without the express written consent of Premier Farnell Corporation.

A Premier Farnell Company