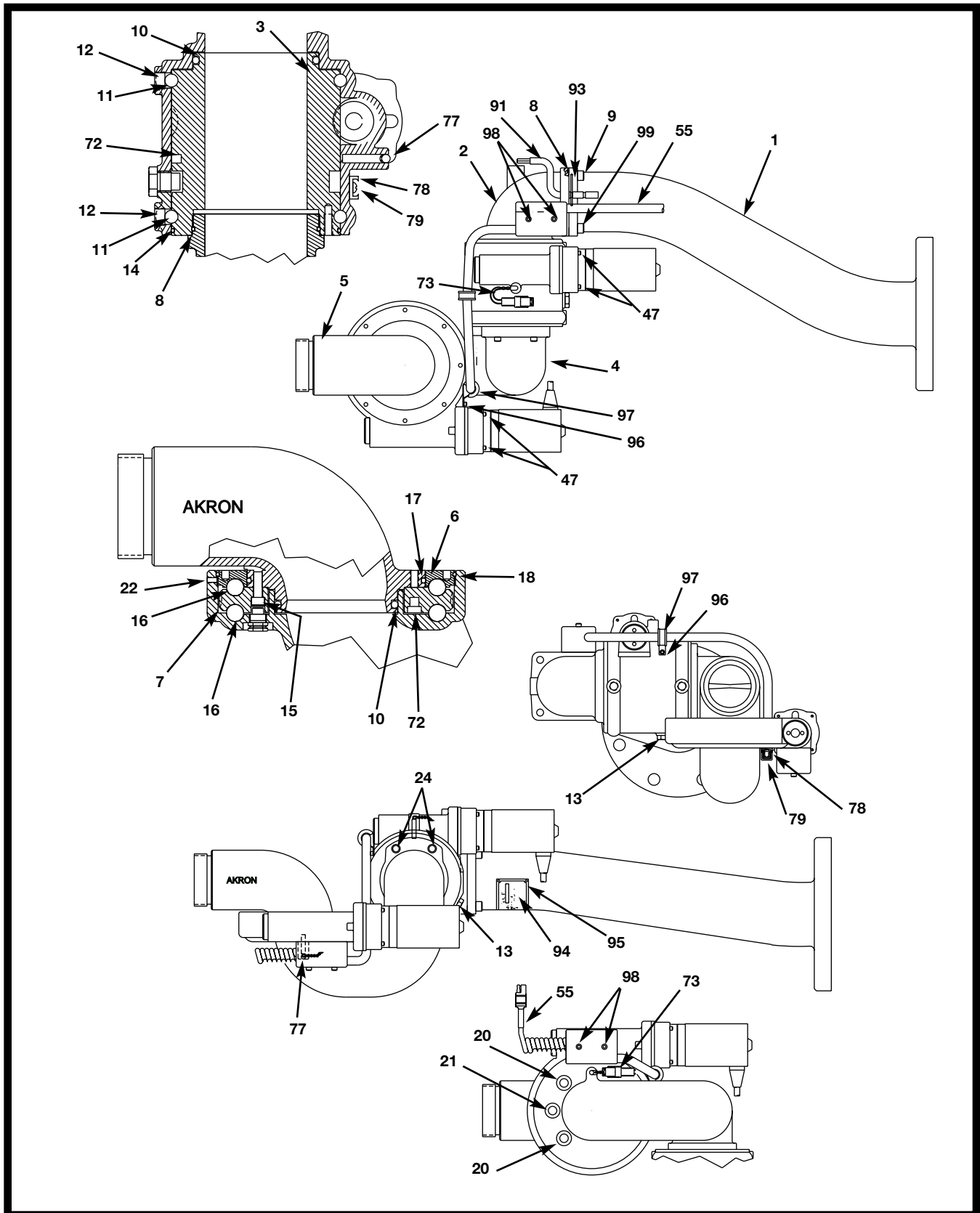
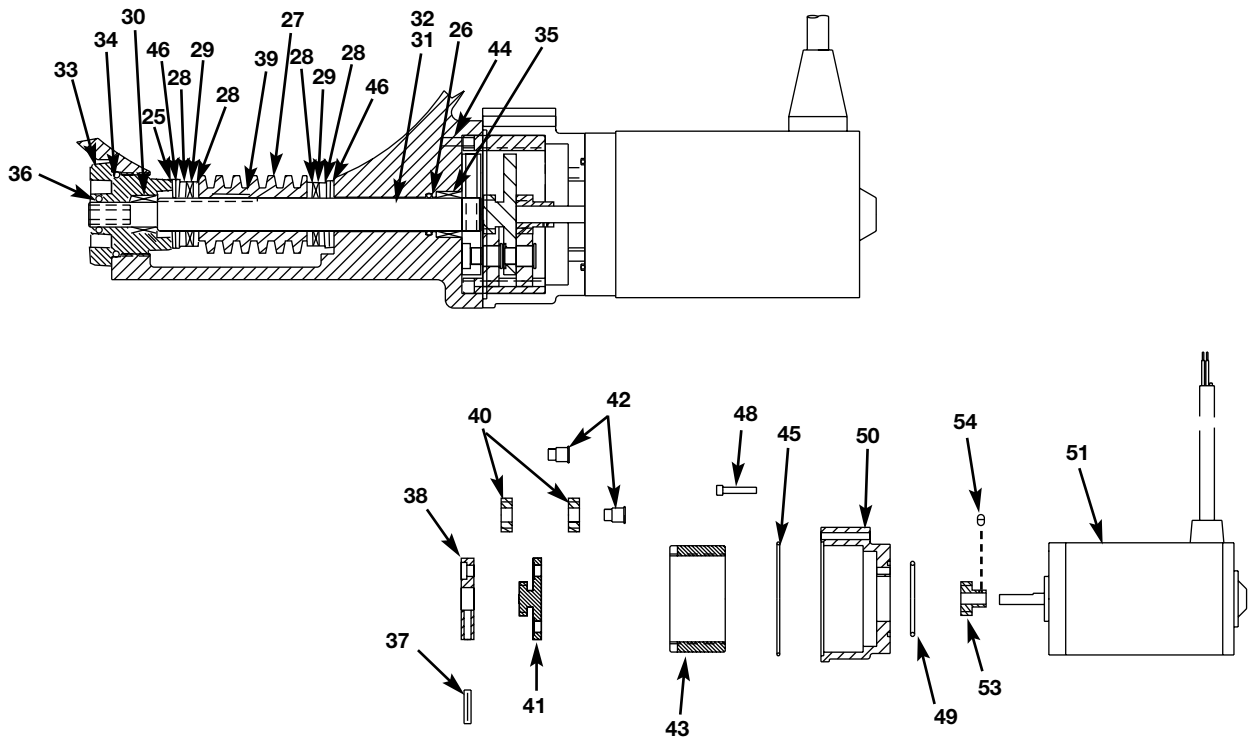


**TECHNICAL SERVICE PARTS LIST**



**TECHNICAL SERVICE PARTS LIST**





**STYLE 3350**  
**TuckAway™ Electric Monitor**

**TECHNICAL SERVICE PARTS LIST**

ITEM NO.	DESCRIPTION	PART NUMBER	QUANTITY
1	Pipe Inlet	117692	1
2	Elbow Inlet	117691	1
3	Sleeve	117694	1
4	Middle Elbow	117698	1
5	Outlet Elbow	117695	1
6	Ring Ball Retainer	117690	1
7	Gear Outlet	117689	1
8	O-Ring	757327	2
9	Socket Head Cap Screw	767047	1
10	O-Ring	757365	2
11	Brass Ball	*	*
12	Swivel Plug	742112	4
13	Vertical Stop	769596	2
14	O-Ring	757326	1
15	Socket Head Cap Screw	765030	5
16	Bronze Ball	**	**
17	O-Ring	757102	1
18	O-Ring	757366	1
20	Stop	769498	2
21	Plug	744337	1
22	Socket Head Set Screw	765042	1
24	Socket Head Cap Screw	767003	2
25	Shim	769494	As Req.
26	O-Ring	757041	2
27	Gear Worm	718166	2
28	Thrust Washer	784121	8
29	Bearing Thrust Roller	704529	4
30	Bearing	704393	2
31	Rotation Shaft	769630	1
32	Elevation Shaft	769631	1
33	Bearing Cap	117696	2
34	O-Ring	757329	2
35	Bearing Roller Needle	704395	2
36	O-Ring	757295	2
37	Pin Groove	741056	2
38	Carrier Output	707325	2
39	Key	727044	2
40	Gear Spur	718165	12
41	Plate Carrier	742119	2
42	Rivet	754052	12
43	Gear Internal Elevation	718164	2
44	Pin Roll	744288	4
45	O-Ring	757312	2
46	Spring	769276	8
47	Socket Head Cap Screw	767132	8
48	Socket Head Cap Screw	765052	8
49	O-Ring	757056	2



**STYLE 3350**  
**TuckAway™ Electric Monitor**

ITEM NO.	DESCRIPTION	PART NUMBER	QUANTITY
50	Gearbox Housing	109320	2
51	Motor	35780011	2
53	Gear Motor	718163	2
54	Socket Head Set Screw	765082	2
55	Wiring Harness	721342	1
72	Magnet	731081	6
73	Switch	34400003	2
77	Rubber Ball	703544	2
78	Bracket	704589	2
79	Screw	765208	2
91	Handle Override	721291	1
93	Clip Hairpin Cotter	744339	1
94	ID Tag	773325	1
95	Nail Grip	736052	4
96	Socket Head Screw	765064	2
97	Clamp	707367	2
98	Socket Head Cap Screw	767126	4
99	Socket Head Cap Screw	765154	3
Not Shown	Panel Mount Control Box with Guard	34400041	1
Not Shown	Upper Control Box with Guard	33500003	1
Not Shown	12/24V PC Board	33500021	1

\*Packet of 50 Balls #109342

\*\*Packet of 50 Balls #116252



ISO 9001 REGISTERED COMPANY

PHONE: 330.264.5678 or 800.228.1161 | FAX: 330.264.2944 or 800.531.7335 | [www.akronbrass.com](http://www.akronbrass.com)

Available in Canada through AKRON MANUFACTURING COMPANY

PHONE: 519.773.8431 | FAX: 519.773.3794

REVISED 10/02

WARRANTY AND DISCLAIMER: We warrant Akron Brass products for a period of five (5) years after purchase against defects in materials or workmanship. Akron Brass will repair or replace product which fails to satisfy this warranty. Repair or replacement shall be at the discretion of Akron Brass. Products must be promptly returned to Akron Brass for warranty service.

We will not be responsible for: wear and tear; any improper installation, use, maintenance or storage; negligence of the owner or user; repair or modification after delivery; damage; failure to follow our instructions or recommendations; or anything else beyond our control. WE MAKE NO WARRANTIES, EXPRESS OR IMPLIED, OTHER THAN THOSE INCLUDED IN THIS WARRANTY STATEMENT, AND WE DISCLAIM ANY IMPLIED WARRANTY OF MERCHANTABILITY OR FITNESS FOR ANY PARTICULAR PURPOSE. Further, we will not be responsible for any consequential, incidental or indirect damages (including, but not limited to, any loss of profits) from any cause whatsoever. No person has authority to change this warranty.

© Premier Farnell Corporation, 2000 All rights reserved. No portion of this can be reproduced without the express written consent of Premier Farnell Corporation.

**A Premier Farnell Company**