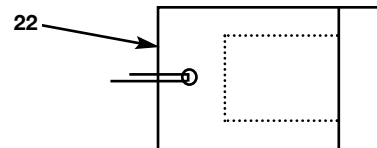
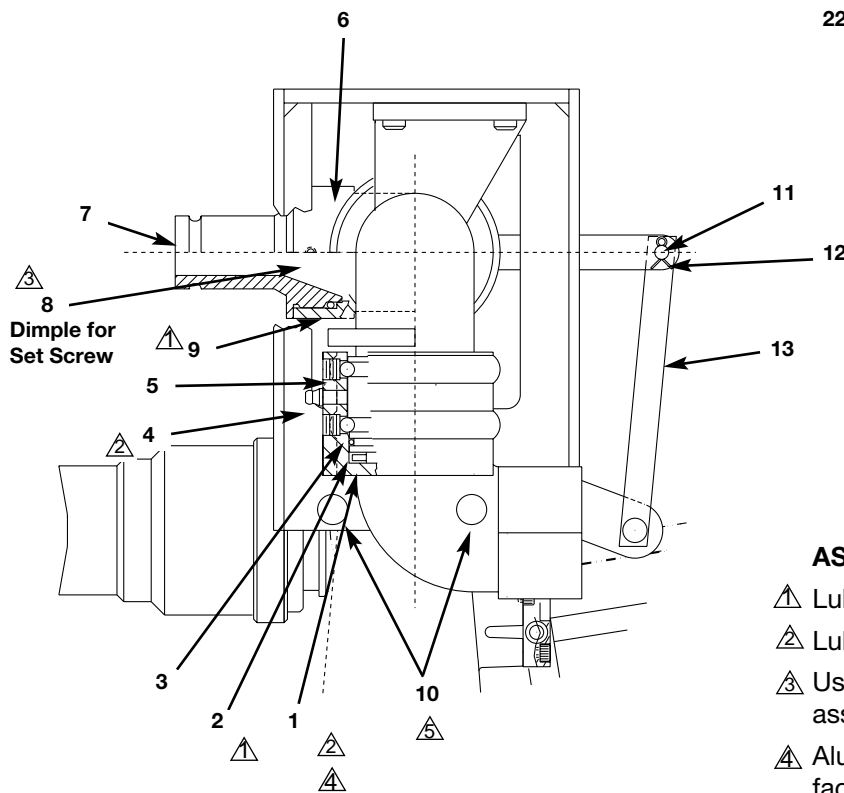
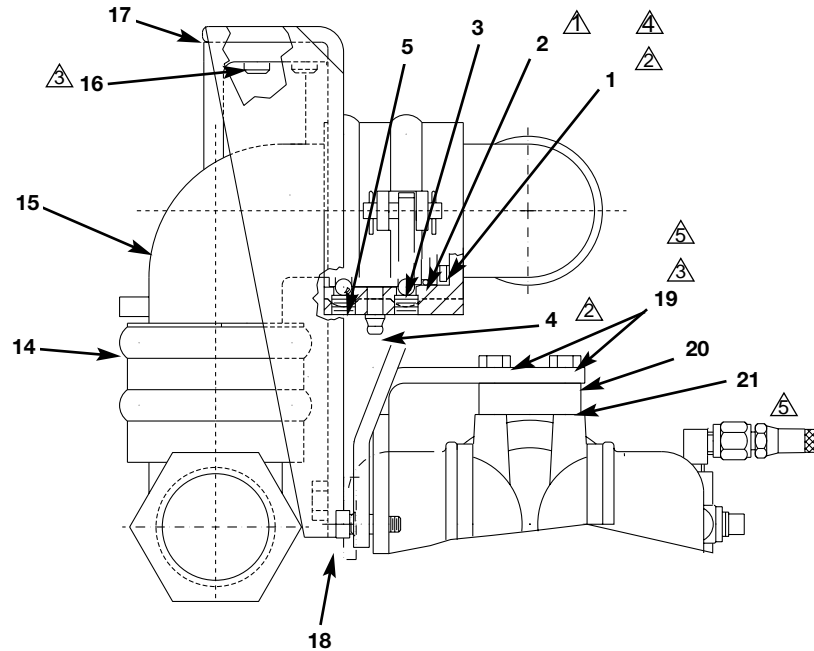


TECHNICAL SERVICE PARTS LIST



ASSEMBLY NOTES:

- ▲ Lubricate with Parker-O-Lube
- ▲ Lubricate with low-temp lubriplate
- ▲ Use Permabond LM113 or Loctite 222 at assembly
- ▲ Aluminum surfaces in contact with the face seals must be clean and free of furrs, nicks, etc.
- ▲ Items included in kit #22



**STYLE 3296
Dry Chemical Nozzle
(Bumper Turret)
Side Mount**

TECHNICAL SERVICE PARTS LIST

ITEM NO.	DESCRIPTION	PART NUMBER	QUANTITY
1	Seal	7-69-311	2
2	O-Ring	7-57-059	2
3	Ball	*	120
4	Fitting	7-13-191	2
5	Plug	7-42-023	4
6	Outlet Elbow	109225	1
7	Nozzle	104305	1
8	Screw	7-65-025	1
9	O-Ring	7-57-182	1
10	Screw	7-61-090	2
11	Pin	7-44-168	2
12	Pin	7-44-327	1
13	Link	7-29-163	1
14	Inlet Elbow	109222	1
15	Mounting Elbow	109224	1
16	Screw	7-61-015	3
17	Bracket	7-03-440	1
18	Screw	7-67-131	1
19	Screw	7-61-089	2
20	Bracket	7-04-355	1
21	Spacer	7-69-468	1
22	Kit	109275	1

*Packet of 50 ball bearings - P/N 109041



ISO 9001 REGISTERED COMPANY

PHONE: 330.264.5678 or 800.228.1161 | FAX: 330.264.2944 or 800.531.7335 | www.akronbrass.com
Available in Canada through AKRON MANUFACTURING COMPANY
PHONE: 519.773.8431 | FAX: 519.773.3794

REVISED 05/02

WARRANTY AND DISCLAIMER: We warrant Akron Brass products for a period of five (5) years after purchase against defects in materials or workmanship. Akron Brass will repair or replace product which fails to satisfy this warranty. Repair or replacement shall be at the discretion of Akron Brass. Products must be promptly returned to Akron Brass for warranty service.
We will not be responsible for: wear and tear; any improper installation, use, maintenance or storage; negligence of the owner or user; repair or modification after delivery; damage; failure to follow our instructions or recommendations; or anything else beyond our control. WE MAKE NO WARRANTIES, EXPRESS OR IMPLIED, OTHER THAN THOSE INCLUDED IN THIS WARRANTY STATEMENT. AND WE DISCLAIM ANY IMPLIED WARRANTY OF MERCHANTABILITY OR FITNESS FOR ANY PARTICULAR PURPOSE. Further, we will not be responsible for any consequential, incidental or indirect damages (including, but not limited to, any loss of profits) from any cause whatsoever. No person has authority to change this warranty.

© Premier Farnell Corporation, 2000 All rights reserved. No portion of this can be reproduced without the express written consent of Premier Farnell Corporation.

A Premier Farnell Company