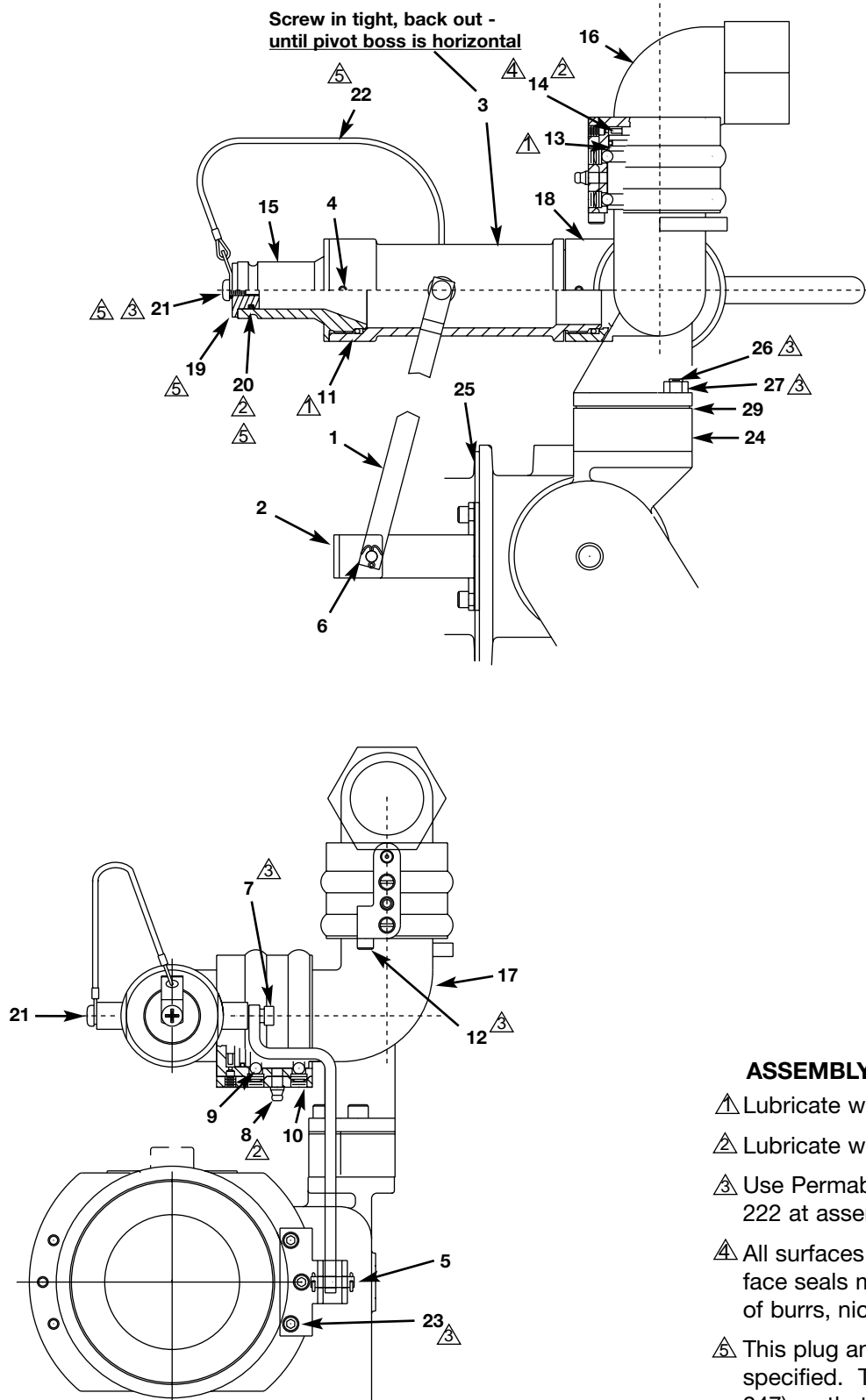


**TECHNICAL SERVICE PARTS LIST**



**ASSEMBLY NOTES:**

- △ Lubricate with Parker-O-Lube.
- △ Lubricate with low-temp Lubriplate.
- △ Use Permabond LM113 or Loctite 222 at assembly.
- △ All surfaces in contact with the face seals must be clean and free of burrs, nicks, ect.
- △ This plug and tether are used when specified. Tighten screws (Item 247) so that lanyard is orientated as shown.

**TECHNICAL SERVICE PARTS LIST**

ITEM NO.	DESCRIPTION	PART NUMBER	QUANTITY
1	Link	729158	1
2	Bracket	704341	1
3	Extention Tube	104302	1
4	Screw	765025	2
5	Pin	744227	1
6	Pin	744168	2
7	Screw	767131	1
8	Grease Fitting	713191	2
9	Brass Ball	703017	120
10	Swivel Plug	742023	4
11	O-Ring	757182	2
12	Screw	765014	1
13	O-Ring	757059	2
14	Seal Ring	769311	2
15	Nozzle .877 Disc	104298	1
16	Inlet Elbow	109222	1
17	Mount Elbow	109224	1
18	Outlet Elbow	109225	1
19	Plug (Optional)	116952	1
20	O-Ring (Optional w/ #19 Plug)	757009	1
21	Screw (Optional w/ #19 Plug)	763067	2
22	Lanyard 9" (Optional w/ #19 Plug)	729357	1
23	Screw	765029	3
24	Spacer	104301	1
25	Shim	769460	1
26	Screw	765163	1
27	Hex Nut	734082	1
28	Screw	766050	2
29	Gasket	715218	1