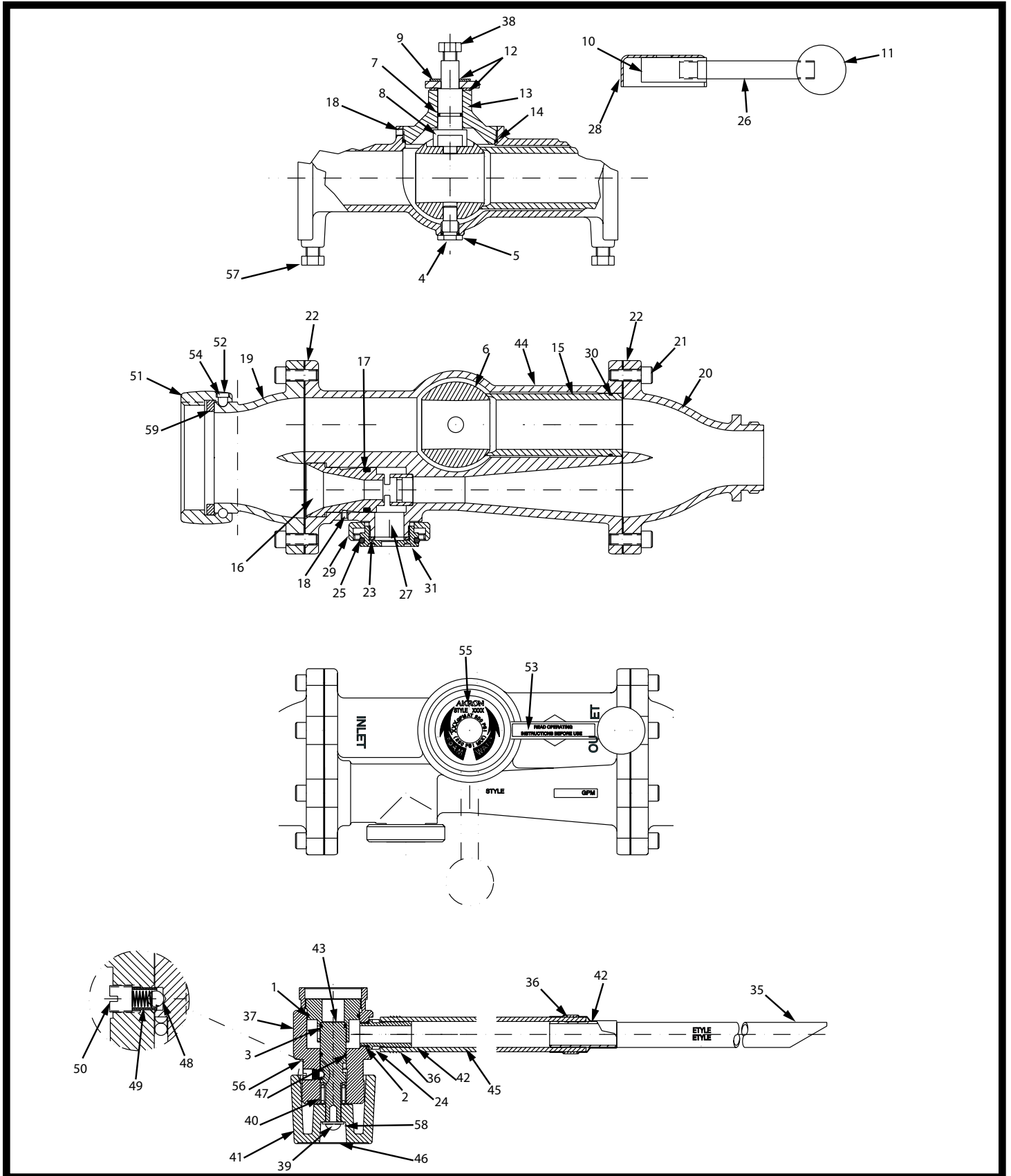


**TECHNICAL SERVICE PARTS**





**STYLE 3062, 3097, 3127  
BY-PASS EDUCATOR  
BUILT AFTER MARCH 15, 2002  
TECHNICAL SERVICE PARTS LIST**

ITEM NO.	DESCRIPTION	PART NUMBER	QUANTITY		
			3062	3097	3127
1	O-Ring	7-57-066	1	1	1
2	O-Ring	7-57-055	1	1	1
3	Seat 60 GPM	118318	1	-	-
3	Seat 95 GPM	118319	-	1	-
3	Seat 125 GPM	118320	-	-	1
4	Trunnion Threaded	7-73-007	1	1	1
5	O-Ring	7-57-180	1	1	1
6	Ball	7-03-151	1	1	1
7	O-Ring	7-57-174	1	1	1
8	Trunnion	7-72-114	1	1	1
9	Stop Plate	7-42-024	1	1	1
10	Handle Hub	7-21-202	1	1	1
11	Ball	7-03-080	1	1	1
12	Spacer	7-69-313	2	2	2
13	Side Plate	109364	1	1	1
14	O-Ring	7-57-021	1	1	1
15	Seat	7-69-517	1	1	1
16	Blend Tube 60 GPM	7-72-155	1	-	-
16	Blend Tube 95 GPM	7-72-156	-	1	-
16	Blend Tube 125 GPM	7-72-157	1	1	1
17	O-Ring	7-57-010	1	1	1
18	Screw	7-65-025	1	1	1
19	Inlet Adapter 2 1/2"	104944		As Req.	
19	Inlet Adapter 1 1/2"	104945		As Req.	
20	Outlet Adapter 1 1/2" NH	104245		As Req.	
21	Screw	7-67-048	12	12	12
22	Vellumoid Gasket	7-17-050	2	2	2
23	Gasket	7-16-048	1	1	1
24	Fitting	117193	1	1	1
25	O-Ring	7-57-031	1	1	1
26	Rod	109148	1	1	1
27	Check Ball	7-03-159	1	1	1
28	Cover	109916	1	1	1
29	Swivel Collar	104237	1	1	1
30	O-Ring	7-57-066	1	1	1
31	Retainer	104941	1	1	1
35	Tube	117582	1	1	1
36	Clamp	7-07-333	2	2	2

ITEM NO.	DESCRIPTION	PART NUMBER	QUANTITY		
			3062	3097	3127
37	Metering Head	118314	1	1	1
38	Screw	7-65-094	1	1	1
39	Screw	763-067	1	1	1
40	Spring	7-69-437	1	1	1
41	Knob	7-27-042	1	1	1
42	Heat Shrink Tube	7-72-162	2	2	2
43	Spool 60 GPM	118315	1	-	-
43	Spool 95 GPM	118316	-	1	-
43	Spool 125 GPM	118317	-	-	1
44	Body 60 GPM	107300	1	-	-
44	Body 95 GPM	107301	-	1	-
44	Body 125 GPM	107302	-	-	1
45	Hose 30"	104219		As Req.	
45	Hose 48"	104221		As Req.	
46	Label 60 GPM	7-29-376	1	-	-
46	Label 95 GPM	7-29-377	-	1	-
46	Label 125 GPM	7-29-378	-	-	1
47	O-Ring	7-57-373	1	1	1
48	Ball	7-04-018	1	1	1
49	Spring	7-69-603	1	1	1
50	Screw	7-65-205	1	1	1
51	Swivel 2 1/2" NH	117847		As Req.	
51	Swivel 1 1/2" NH	101292		As Req.	
52	Plug	7-42-023	1	1	1
53	Label	7-03-474	1	1	1
54	Ball Bearing	7-03-017	39	39	39
55	Label 60 GPM	7-29-386	1	-	-
55	Label 95 GPM	7-29-387	-	1	-
55	Label 125 GPM	7-29-388	-	-	1
56	I.D. Band 60 GPM	7-04-669	1	-	-
56	I.D. Band 95 GPM	7-04-670	-	1	-
56	I.D. Band 125 GPM	7-04-671	-	-	1
57	Screw	7-60-021	1	1	1
58	Washer	7-84-075	1	1	1
59	Gasket 2 1/2"	7-17-043		As Req.	
59	Gasket 1 1/2"	7-17-042		As Req.	



PHONE: 330.264.5678 or 800.228.1161 | FAX: 330.264.2944 or 800.531.7335 | [www.akronbrass.com](http://www.akronbrass.com)

REVISED: 5/09

WARRANTY AND DISCLAIMER: We warrant Akron Brass products for a period of five (5) years after purchase against defects in materials or workmanship. Akron Brass will repair or replace product which fails to satisfy this warranty. Repair or replacement shall be at the discretion of Akron Brass. Products must be promptly returned to Akron Brass for warranty service.

We will not be responsible for: wear and tear; any improper installation, use, maintenance or storage; negligence of the owner or user; repair or modification after delivery; damage; failure to follow our instructions or recommendations; or anything else beyond our control. WE MAKE NO WARRANTIES, EXPRESS OR IMPLIED, OTHER THAN THOSE INCLUDED IN THIS WARRANTY STATEMENT, AND WE DISCLAIM ANY IMPLIED WARRANTY OF MERCHANTABILITY OR FITNESS FOR ANY PARTICULAR PURPOSE. Further, we will not be responsible for any consequential, incidental or indirect damages (including, but not limited to, any loss of profits) from any cause whatsoever. No person has authority to change this warranty.

© Premier Farnell Corporation. 2000 All rights reserved. No portion of this can be reproduced without the express written consent of Premier Farnell Corporation.

**A Premier Farnell Company**