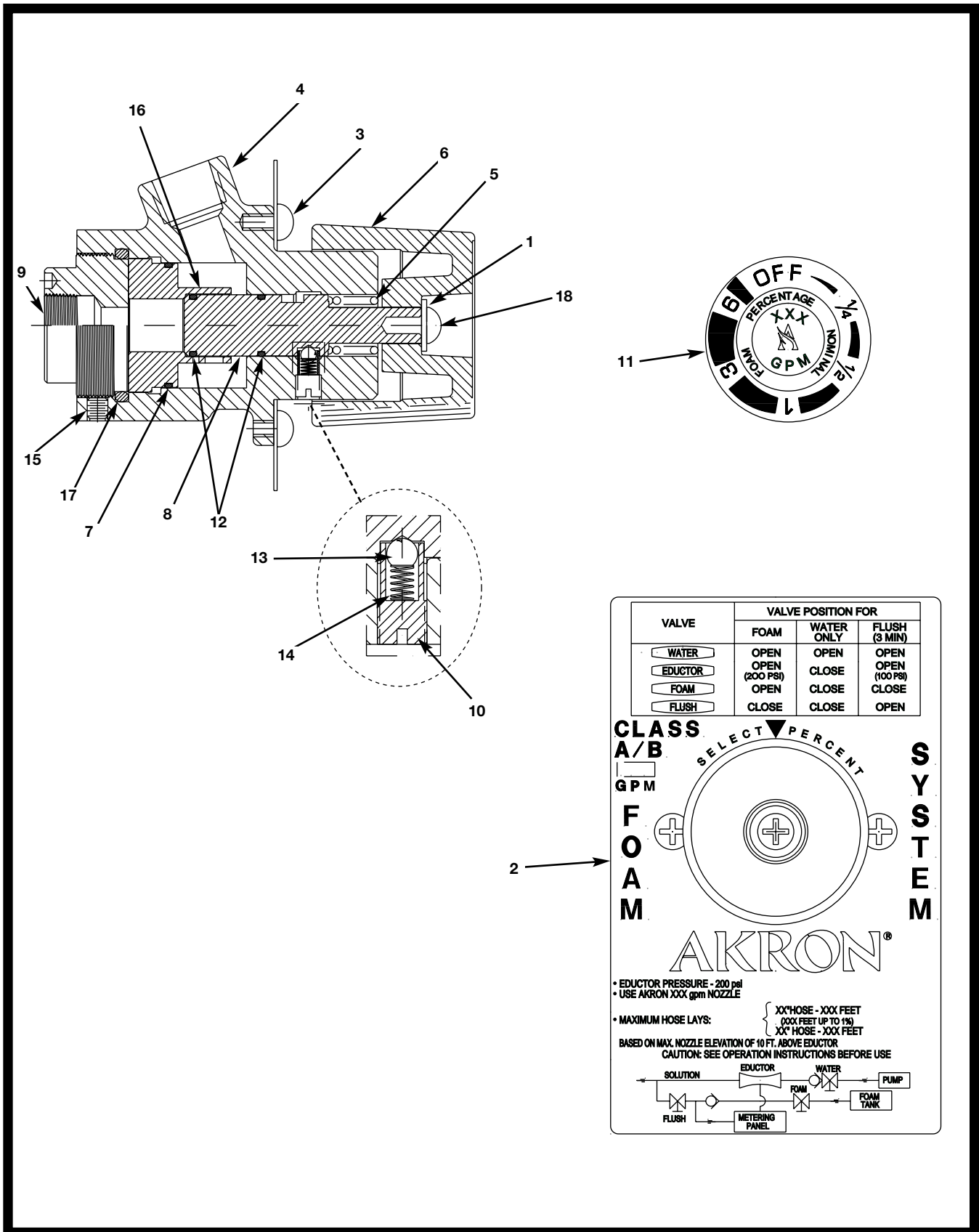


# TECHNICAL SERVICE PARTS LIST





**STYLE 3061, 3096, 3126**  
**Truck By-Pass Eductor Metering Panel**  
**(Built After April 15, 2002)**  
**TECHNICAL SERVICE PARTS LIST**

ITEM NO.	DESCRIPTION	PART NUMBER	QUANTITY		
			3061	3096	3126
1	Washer	7-84-075	1	1	1
2	Face Plate	7-42-133	1	-	-
2	Face Plate	7-42-134	-	1	-
2	Face Plate	7-42-135	-	-	1
3	Screw	7-63-067	1	1	1
4	Metering Head	118328	1	1	1
5	Spring	7-69-437	1	1	1
6	Knob	7-27-042	1	1	1
7	O-Ring	7-57-066	1	1	1
8	Spool 60 GPM	118315	1	-	-
8	Spool 95 GPM	118316	-	1	-
8	Spool 125 GPM	118317	-	-	1
9	Adapter	7-02-092	1	1	1
10	Screw	7-65-205	1	1	1
11	Label	7-29-326	1	-	-
11	Label	7-29-377	-	1	-
11	Label	7-29-378	-	-	1
12	O-Ring	7-57-373	2	2	2
13	Ball	7-04-018	1	1	1
14	Spring	7-69-603	1	1	1
15	Screw	7-65-008	1	1	1
16	Seat 60 GPM	118318	1	-	-
16	Seat 95 GPM	118319	-	1	-
16	Seat 125 GPM	118320	-	-	1
17	O-Ring	7-57-125	1	1	1
18	Screw	7-63-067	1	1	1



ISO 9001 REGISTERED COMPANY

PHONE: 330.264.5678 or 800.228.1161 | FAX: 330.264.2944 or 800.531.7335 | [www.akronbrass.com](http://www.akronbrass.com)  
 Available in Canada through AKRON MANUFACTURING COMPANY  
 PHONE: 519.773.8431 | FAX: 519.773.3794

REVISED 2/06

WARRANTY AND DISCLAIMER: We warrant Akron Brass products for a period of five (5) years after purchase against defects in materials or workmanship. Akron Brass will repair or replace product which fails to satisfy this warranty. Repair or replacement shall be at the discretion of Akron Brass. Products must be promptly returned to Akron Brass for warranty service.  
 We will not be responsible for: wear and tear; any improper installation, use, maintenance or storage; negligence of the owner or user; repair or modification after delivery; damage; failure to follow our instructions or recommendations; or anything else beyond our control. WE MAKE NO WARRANTIES, EXPRESS OR IMPLIED, OTHER THAN THOSE INCLUDED IN THIS WARRANTY STATEMENT, AND WE DISCLAIM ANY IMPLIED WARRANTY OF MERCHANTABILITY OR FITNESS FOR ANY PARTICULAR PURPOSE. Further, we will not be responsible for any consequential, incidental or indirect damages (including, but not limited to, any loss of profits) from any cause whatsoever. No person has authority to change this warranty.

© Premier Farnell Corporation, 2000 All rights reserved. No portion of this can be reproduced without the express written consent of Premier Farnell Corporation.

**A Premier Farnell Company**