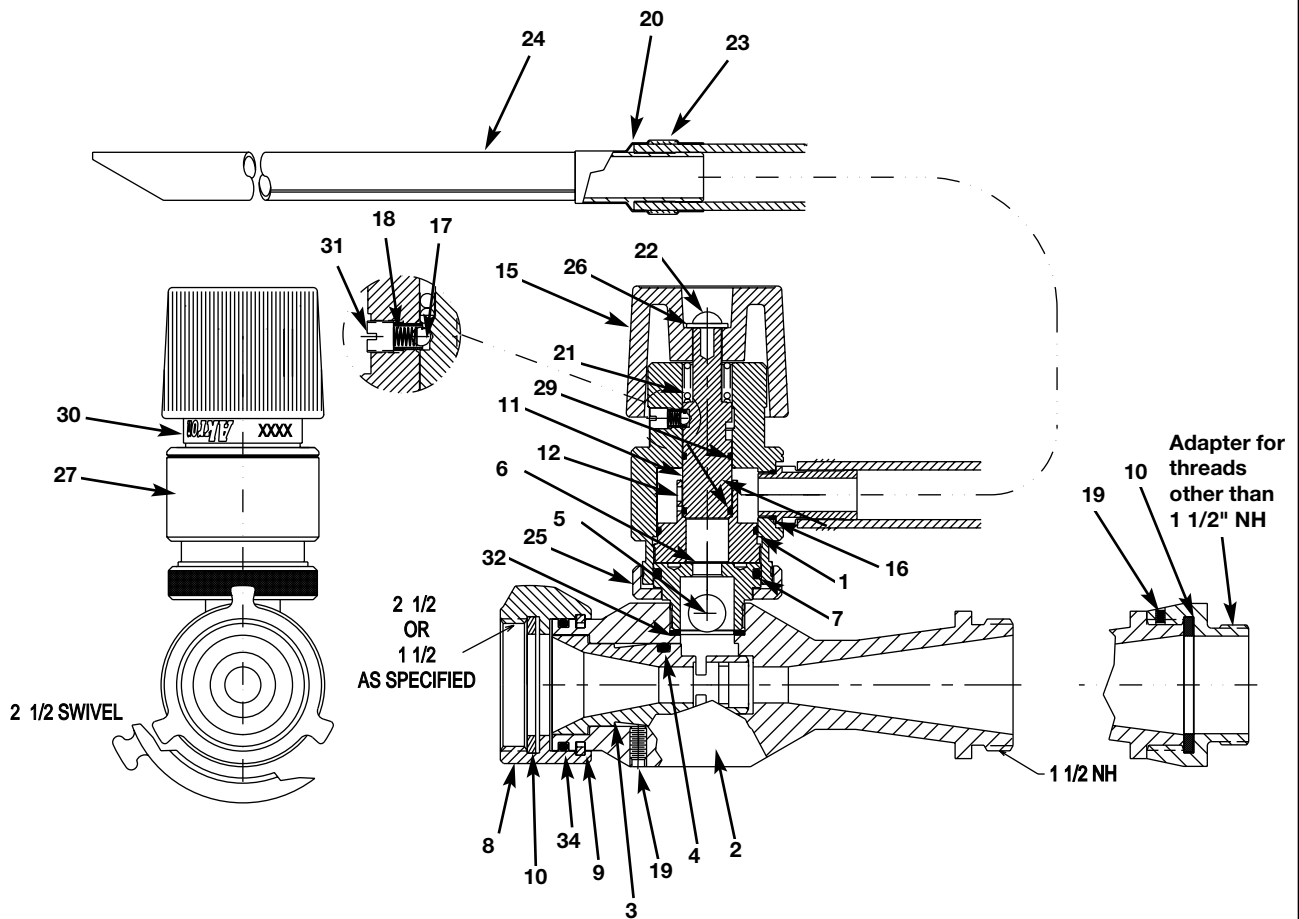


TECHNICAL SERVICE PARTS LIST





**STYLE 3060, 3095, 3125
In-Line Eductors
(Built After April 15, 2002)
TECHNICAL SERVICE PARTS LIST**

ITEM NO.	DESCRIPTION	PART NUMBER	QUANTITY		
			3060	3095	3125
1	O-Ring	7-57-066	1	1	1
2	Body 60 GPM	116557	1	-	-
2	Body 95 GPM	116558	-	1	-
2	Body 125 GPM	116599	-	-	1
3	Blend Tube 60 GPM	7-72-155	1	-	-
3	Blend Tube 95 GPM	7-72-156	-	1	-
3	Blend Tube 125 GPM	7-72-157	-	-	1
4	O-Ring	7-57-010	1	1	1
5	Check Ball	7-03-159	1	1	1
6	Ball Retainer	116571	1	1	1
7	O-Ring	7-57-031	1	1	1
8A	Swivel 1 1/2" NH	102261		As Req.	
8B	Swivel 2 1/2" NH	103915		As Req.	
9	Piston Ring	7-56-003	1	1	1
10A	Gasket 1 1/2"	7-17-042		As Req.	
10B	Gasket 2 1/2"	7-17-043		As Req.	
11	Spool	118290	1	-	-
11	Spool	118289	-	1	-
11	Spool	118287	-	-	1
12	Seat	118291	1	-	-
12	Seat	118292	-	1	-
12	Seat	118293	-	-	1
13	Label	7-29-376	1	-	-
13	Label	7-29-377	-	1	-
13	Label	7-29-378	-	-	1
14A	Hose 30"	104219		As Req.	
14B	Hose 48"	104221		As Req.	
15	Knob	7-27-042	1	1	1
16	O-Ring	7-57-041	1	1	1
17	Ball	7-04-018	1	1	1
18	Spring	7-69-603	1	1	1
19	Screw	7-65-008	1	1	1
20	Heat Shrink Tube	7-72-163	2	2	2
21	Spring	7-69-437	1	1	1
22	Screw	7-63-067	1	1	1
23	Clamp	7-07-333	2	2	2
24	Tube	117582	1	1	1
25	Swivel	104271	1	1	1
26	Washer	7-84-075	1	1	1
27	Body	118288	1	1	1
28	Fitting	104270	1	1	1
29	O-Ring	7-57-373	1	1	1
30	I.D. Band 60 GPM	7-04-664	1	-	-
30	I.D. Band 95 GPM	7-04-663	-	1	-
30	I.D. Band 125 GPM	7-04-662	-	-	1
31	Screw	7-65-205	1	1	1
32	Gasket	7-16-027	1	1	1



ISO 9001 REGISTERED COMPANY

PHONE: 330.264.5678 or 800.228.1161 | FAX: 330.264.2944 or 800.531.7335 | www.akronbrass.com
Available in Canada through AKRON MANUFACTURING COMPANY
PHONE: 519.773.8431 | FAX: 519.773.3794

REVISED 05/02

WARRANTY AND DISCLAIMER: We warrant Akron Brass products for a period of five (5) years after purchase against defects in materials or workmanship. Akron Brass will repair or replace product which fails to satisfy this warranty. Repair or replacement shall be at the discretion of Akron Brass. Products must be promptly returned to Akron Brass for warranty service. We will not be responsible for: wear and tear; any improper installation, use, maintenance or storage; negligence of the owner or user; repair or modification after delivery; damage; failure to follow our instructions or recommendations; or anything else beyond our control. WE MAKE NO WARRANTIES, EXPRESS OR IMPLIED, OTHER THAN THOSE INCLUDED IN THIS WARRANTY STATEMENT. AND WE DISCLAIM ANY IMPLIED WARRANTY OF MERCHANTABILITY OR FITNESS FOR ANY PARTICULAR PURPOSE. Further, we will not be responsible for any consequential, incidental or indirect damages (including, but not limited to, any loss of profits) from any cause whatsoever. No person has authority to change this warranty.

© Premier Farnell Corporation, 2000 All rights reserved. No portion of this can be reproduced without the express written consent of Premier Farnell Corporation.

A Premier Farnell Company