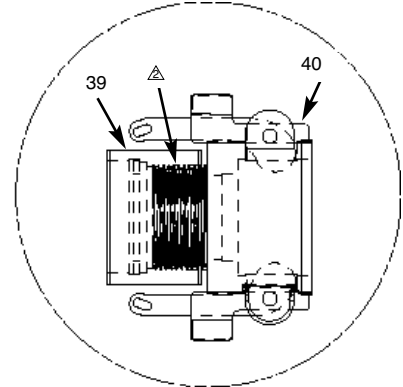
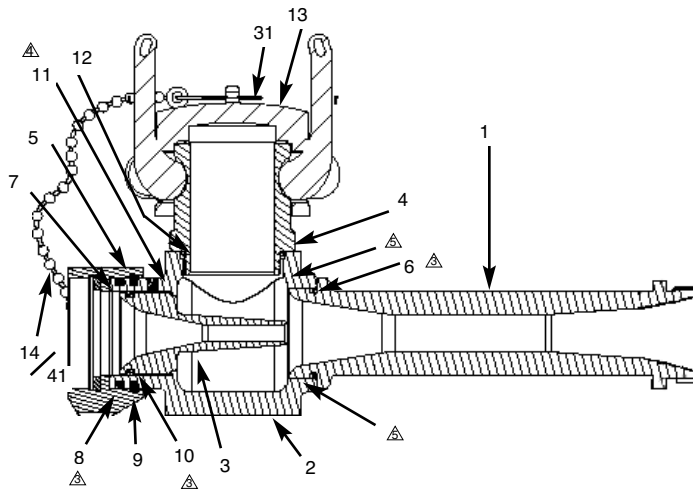
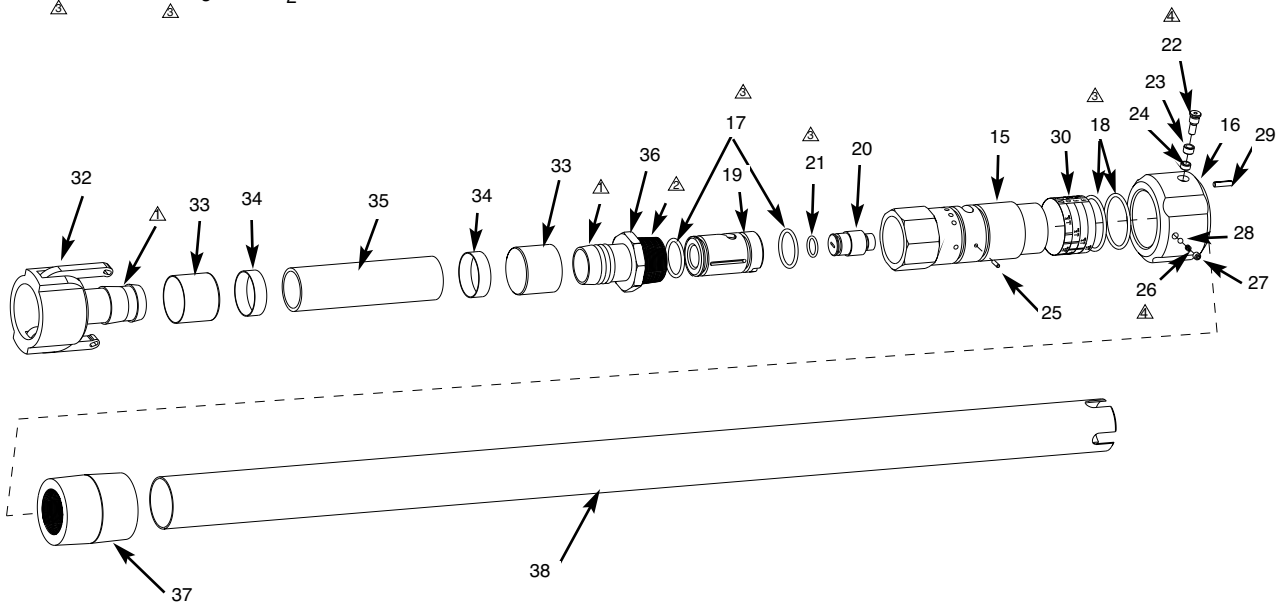


TECHNICAL SERVICE PARTS LIST



AkroFoam™ / Hose Adapter



- △ Use Pliobond Industrial Adhesive
- △ Use Permabond LH050 or Loctite 592 Pipe Sealant
- △ Grease with Parker O-Lube
- △ Use Permabond LM113 or Loctite 222
- △ Apply Loctite 277 or Permabond HH120 on Threads

ITEM NO.	DESCRIPTION	PART NUMBER	QUANTITY
1	Diverter - 1½" NH *	119895	1
2	Body	119892	1
3	Blending Tube	119891	1
4	Cam Lock Connector	119894	1
5	Swivel 1 ½" NH **	102261	1
5	Swivel 1 ½" NPSH **	107856	1
6	O-Ring	7-57-048	1
7	Gasket	7-17-042	1
8	O-Ring	7-57-267	1
9	Piston Ring	7-56-003	1
10	O-Ring	7-57-281	1
11	Allen Head Screw	7-65-025	1
12	O-Ring	7-57-058	1
13	Dust Cover	7-07-494	1
14	Chain	7-06-225	1
15	Metering Head Body	7-04-783	1
16	Sleeve	7-69-734	1
17	O-Ring	7-57-011	2
18	O-Ring	7-57-375	2
19	Spool Seat	7-69-731	1
20	Spool	7-69-733	1
21	O-Ring	7-57-002	1
22	Cam Axle	7-02-050	1
23	Long Cam Roller	7-07-491	1
24	Short Cam Roller	7-07-239	1
25	Discharge Key	7-27-033	1
26	Socket Head Screw	7-65-083	1
27	Detent Spring	7-69-111	1
28	Ball	7-41-058	1
29	Groove Pin	7-41-058	1
30	Band	7-03-613	1
31	Clip	7-07-070	1
32	Cam Lock Connector	119770	1
33	Ferrule	109028	2
34	Clamp	7-07-166	2
35	Pick Up Hose	7-21-242	1
36	Connector Hose	7-07-159	1
37	Adapter Coupling	7-72-118	1
38	Pick Up Tube	7-72-118	1
39	Female NPT x Female NH Adapter	119893	1
39	Female NPT x Female NPSH Adapter	120165	1
40	Quick Cam Female x Male NPT	7-07-495	1
41	Pan Head Screw	7-65-104	1

* NPSH uses an add-on adapter - p/n - 104264

** For other threads order by description and tread size (OPM andTPI) or by Akron Thread Code.