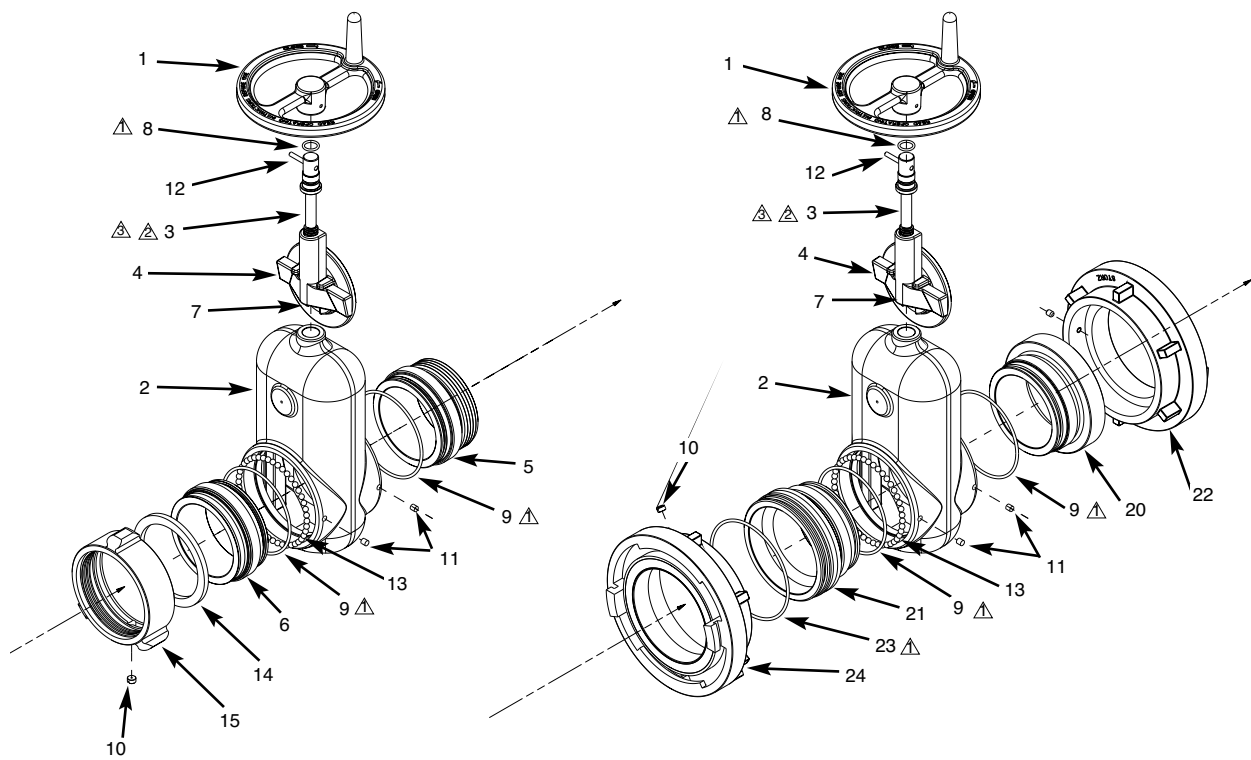


TECHNICAL SERVICE PARTS LIST



- △ A Use Parker O-Ring Lube
- △ B Use "Never Stick" Lubricant to contact points
- △ C Lubricate threads with Low Temp Lubriplate

TECHNICAL SERVICE PARTS LIST

ITEM NO.	DESCRIPTION	PART NUMBER	QUANTITY
1	Handwheel	118544	1
2	Body	118546	1
3	Stem	118545	1
4	Wing Nut	118536	1
5	Male Adapter 3"NH#	118540	1
5	Male Adapter 3 _"NH#	118541	1
5	Male Adapter 4"NH#	118542	1
5	Male Adapter 4"NPSH#	119534	1
5	Male Adapter 4 _"NH#	118647	1
5	Male Adapter 5"NH#	118649	1
6	Swivel Adapter 3"	118539	1
6	Swivel Adapter 3 _"	118538	1
6	Swivel Adapter 4"	118543	1
6	Swivel Adapter 4 _"	118646	1
6	Swivel Adapter 5"	118648	1
7	Plate	118537	1
8	O-Ring	7-57-008	1
9	O-Ring	7-57-251	2
10	Swivel Plug	7-42-023	1
11	Socket Head Screw	7-66-015	2-3
12	Roll Pin	7-44-060	1
13	Ball Bearings	*	
14	Gasket 3"	7-14-022	1
14	Gasket 3 _"	7-14-023	1
14	Gasket 4"	7-14-024	1
14	Gasket 4 _"	7-14-025	1
14	Gasket 5"	7-14-026	1
15	Swivel 3"NH#	104013	1
15	Swivel 3 _"NH#	104014	1
15	Swivel 4"NH#	104015	1
15	Swivel 4"NPSH#	104022	1
15	Swivel 4 _"NH#	104016	1
15	Swivel 5"NH#	104017	1
20	Rigid Storz Outlet Adapter 4"	118645	1
20	Rigid Storz Outlet Adapter 5"	118650	1
21	Swivel Storz Inlet Adapter 4"	118644	1
21	Swivel Storz Inlet Adapter 5"	118651	1
22	Rigid Storz Head 5"	107071	1
22	Rigid Storz Head 4"	107070	1
23	O-Ring 4"	7-57-337	1
23	O-Ring 5"	7-57-078	1
24	Swivel Storz Head 4"	7-13-205	1
24	Swivel Storz Head 5"	7-13-206	1

* Packet of 50 Locking Balls p/n 109041

For other threads order by description and thread size (ODM & TPI) or by thread code.