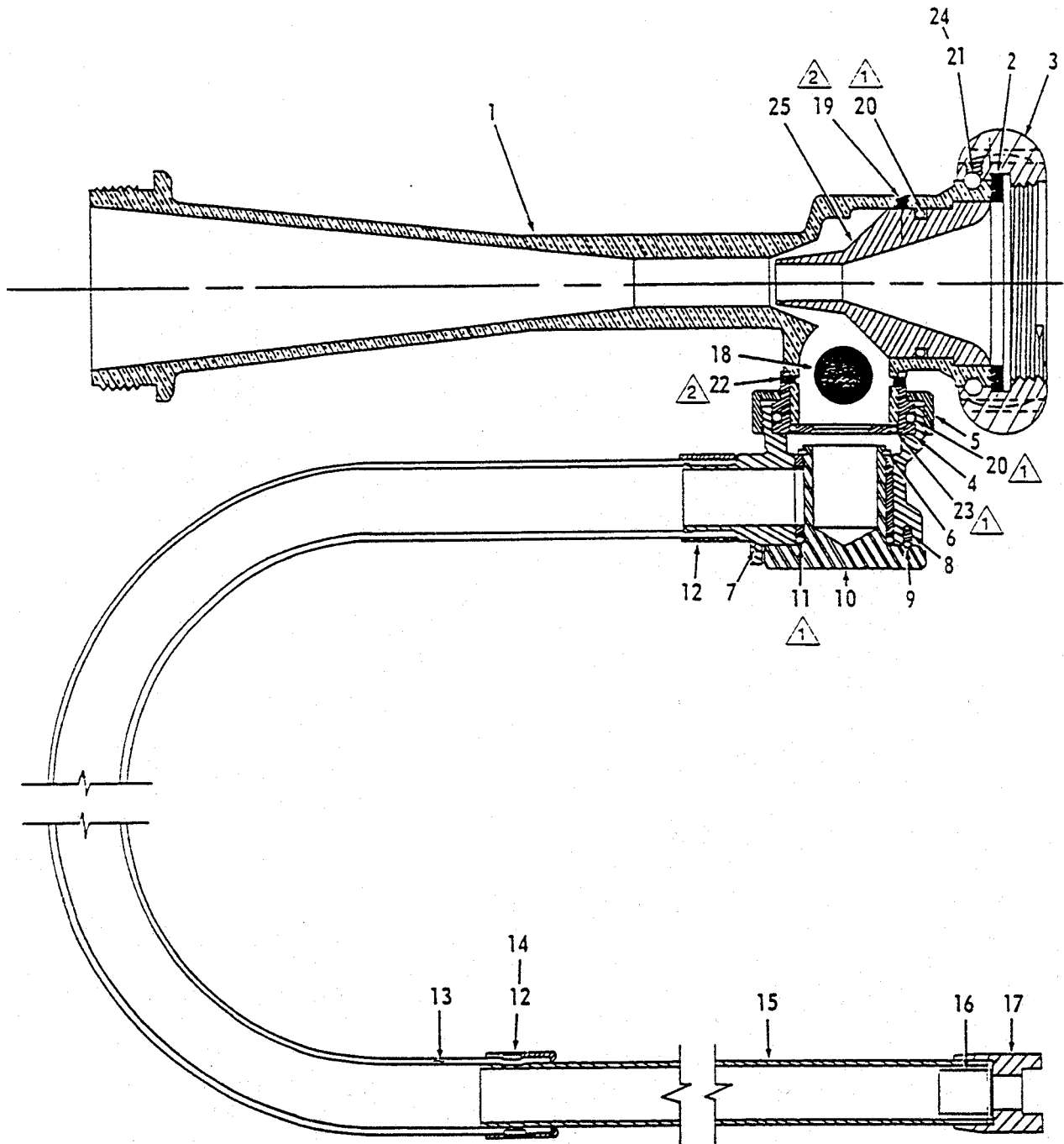


TECHNICAL SERVICE PARTS LIST



ASSEMBLY NOTES

- △1 Use Parker O-Ring Lubricant or equivalent petroleum base lubricant.
- △2 Use Loctite 222 or Permabond 113 .

ITEM NO.	DESCRIPTION	PART NUMBER	QUANTITY
1	Body* – 2½" (NH) Cast	103886	1
1	Body* – 2½" (NH) Chrome	103904	1
2	Gasket	7-17-043	1
3	Swivel*– 2½" (NH) Cast	101325	1
3	Swivel*– 2½" (NH) Chrome	101343	1
4	Ball Retainer – Cast	106153	1
4	Ball Retainer – Chrome	103902	1
5	Swivel Collar – Cast	104920	1
5	Swivel Collar – Chrome	103901	1
6	Retaining Ring	7-58-038	1
7	Metering Head with Liner – Cast	103900	1
7	Metering Head with Liner – Chrome	103903	1
8	Spring	7-68-023	1
9	Ball	7-03-050	1
10	Metering Dial	103896	1
11	O-Ring	7-57-011	1
12	Clamp	**	2
13	Pickup Hose	103891	1
14	Ferrule	7-12-272	1
15	Pickup Tube – Cast†	103899	1
15	Pickup Tube – Chrome†	103906	1
16	Strainer†	7-69-254	1
17	Strainer Retainer – Cast†	103898	1
17	Strainer Retainer – Chrome†	103905	1
18	Ball	7-04-010	1
19	Socket Head Set Screw	7-65-008	1
20	O-Ring	7-57-014	2
21	Ball Bearings	‡	39
22	Socket Head Set Screw	7-65-025	2
23	O-Ring	7-57-088	1
24	Swivel Plug	7-42-023	1
25	Blending Tube	104922	1

*For other threads order by description and thread size (ODM and TPI) or by Akron Thread Code.

**Clamp (#12) is not field replaceable. To replace clamp, proceed in one of the following ways:

- 1) Return unit to the factory for repair.
- 2) Replace entire metering dial and pickup hose assembly (items #6 through #17).
P/N – 2120-00-1-1-45-010
- 3) Replace with commercially available radiator type hose clamp.

†Current strainer measures approximately 1" in length. For repair of units with a strainer measuring approximately 2½", please contact Akron Brass for repair information.

‡ Packet of 50 Ball Bearings – P/N 109041.