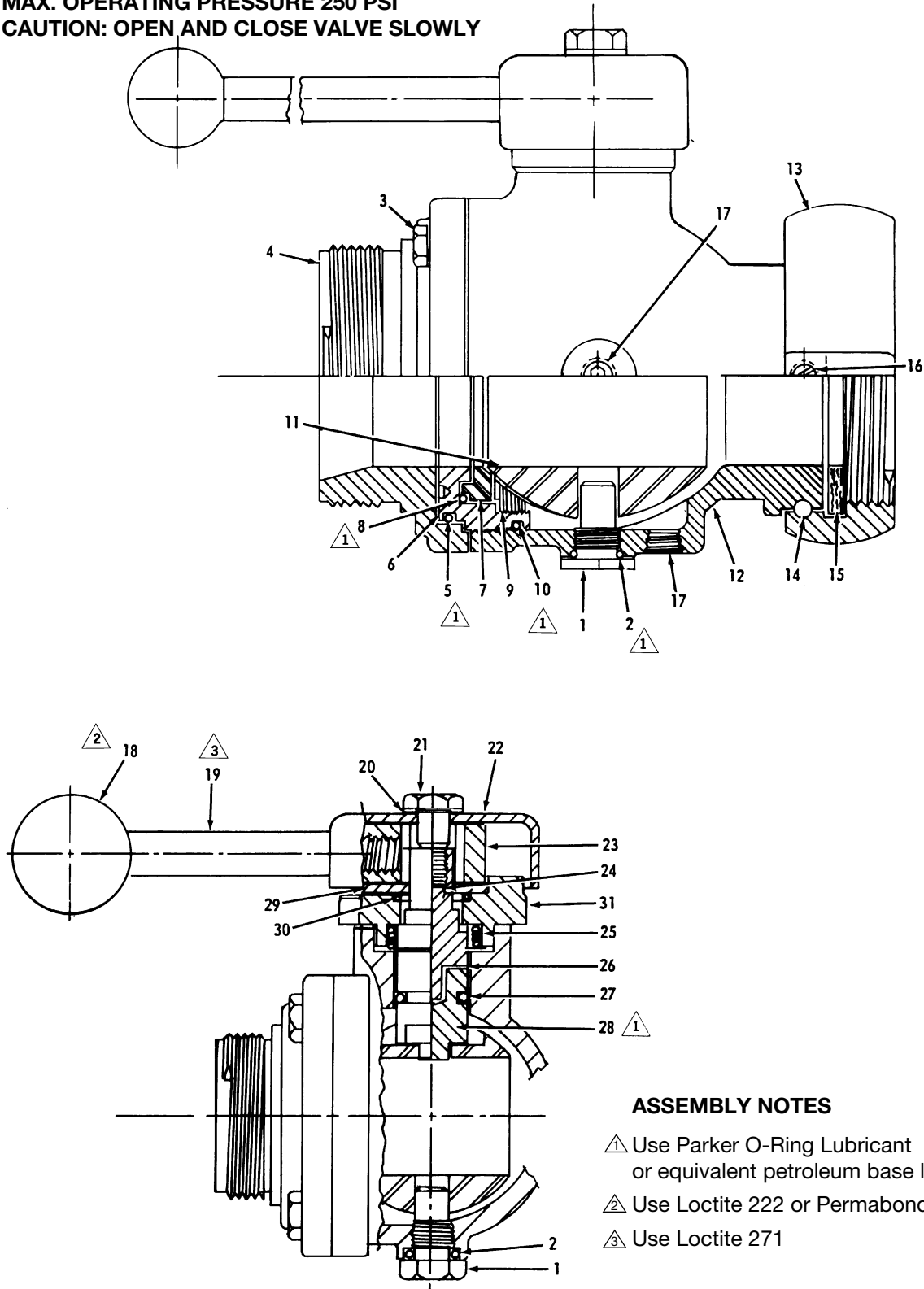


TECHNICAL SERVICE PARTS LIST

MAX. OPERATING PRESSURE 250 PSI
CAUTION: OPEN AND CLOSE VALVE SLOWLY



ASSEMBLY NOTES

- △ Use Parker O-Ring Lubricant or equivalent petroleum base lubricant.
- △ Use Loctite 222 or Permabond 113.
- △ Use Loctite 271

TECHNICAL SERVICE PARTS LIST

ITEM NO.	DESCRIPTION	PART NUMBER	QUANTITY
1	Threaded Trunnion	102177	1
2*	O-Ring	7-57-198	1
3	Bolt	7-61-016	4
4	Male Adapter** (NH)	102102	1
4	Male Adapter** (NPSH)	102124	1
5*	O-Ring	7-57-017	1
6	Seat Housing	102174	1
7*	Seat	7-69-156	1
8*	O-Ring	7-57-035	1
9	Seat Retaining Ring	102176	1
10*	O-Ring	7-57-073	1
11*	Ball	7-03-429	1
12	Body‡	102344	1
13	Swivel**–Rocker Lug 2-1/2" (NH)	101420	1
14	Ball Bearings	†	38
15	Swivel Gasket	7-17-043	1
16	Swivel Plug	7-42-023	1
17	Pipe Plug (not used on current product)	7-44-011	3
18	Handle Ball	7-03-080	1
19	Handle Rod	109193	1
20	Washer	7-84-086	1
21	Hex Head Cap Screw	7-61-045	1
22	Handle Cover	7-07-369	1
23	Handle Hub	7-21-278	1
24	Handle Trunnion	102178	1
25	Spring	7-68-210	1
26	Retaining Ring	7-58-154	1
27	O-Ring	7-57-010	1
28	Ball Trunnion	102179	1
29	Stop Plate	7-42-073	1
30	O-Ring	7-57-284	1
31	Retaining Plate	7-42-089	1
32	Soc. Head Cap Screw for Retaining Plate #31 (not shown)	7-65-028	4

*Parts included in Field Service Kit #9128.

**For other threads order by description and thread size (ODM and TPI) or Akron Thread Code.

†Packet of 50 Ball Bearings - P/N 109041

‡‡Old Style Bodies (units with Red Handle Covers) are no longer available. If the body is needed - the handle assemblies must also be replaced. Contact Customer Service for additional information.