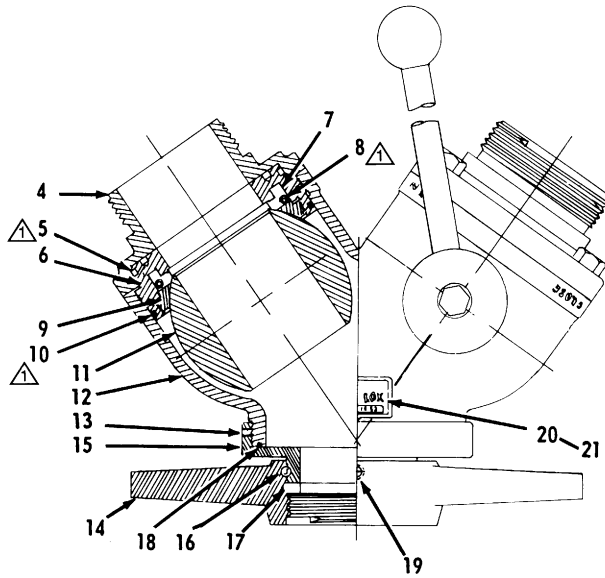


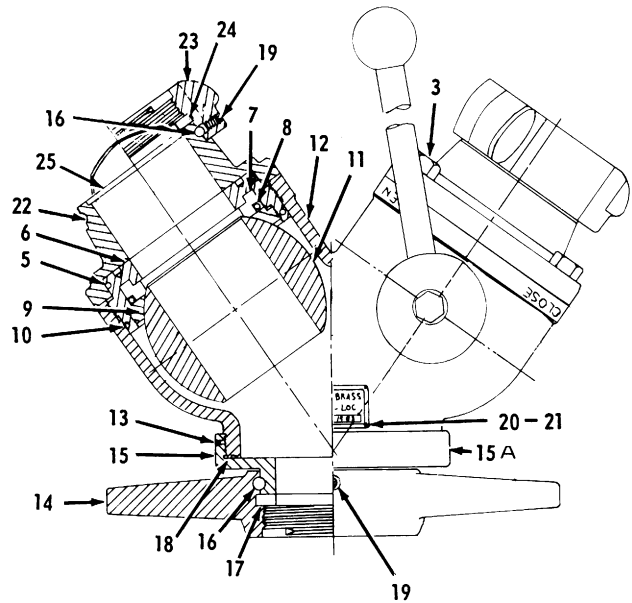
TECHNICAL SERVICE PARTS LIST



1582

MAX. OPERATING PRESSURE 250 PSI

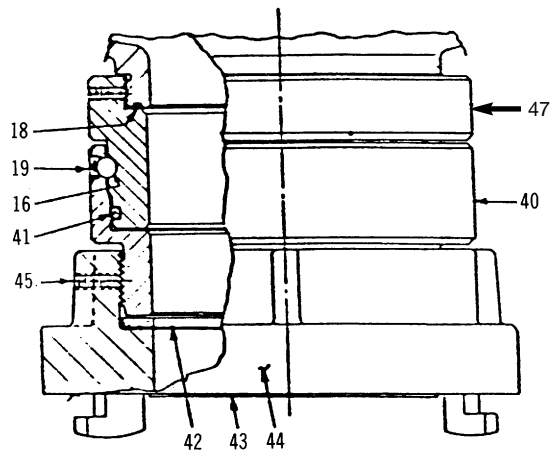
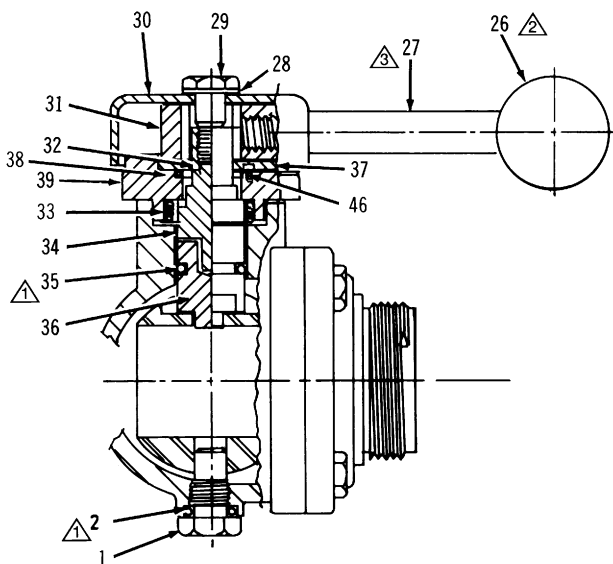
CAUTION: OPEN AND CLOSE VALVE SLOWLY.



1583

ASSEMBLY NOTES

- △ Use Parker O-Ring Lubricant or equivalent petroleum base lubricant
- △ Use Loctite 222 or Permabond 113
- △ Use Loctite 277





STYLE 1582 and 1583 Pyrolite® Gated Wyes & Siamese TECHNICAL SERVICE PARTS LIST

ITEM NO.	DESCRIPTION	PART NUMBER	1582	1583
1	Threaded Trunnion	102177	2	2
2*	O-Ring	7-57-198	2	2
3	Hex Head Screw	7-61-016	8	8
4	Male Adapter** (NH)	102102	2	
5*	O-Ring	7-57-017	2	2
6	Seat Housing	102174	2	2
7*	Seat	7-69-156	2	2
8*	O-Ring	7-57-035	2	2
9	Seat Retaining Ring	102176	2	2
10*	O-Ring	7-57-073	2	2
11*	Ball	7-03-429	2	2
12	Body‡	102173	1	1
13	Socket Head Screw	7-65-040	1	1
14	Swivel** -2½" Long Handle (NH)	104046	1	1
14	Swivel** -3" Long Handle (NH)	104047	1	1
14	Swivel** -3½" Long Handle (NH)	104048	1	1
14	Swivel** -4" Long Handle (NH)	104049	1	1
14	Swivel** -4½" Long Handle (NH)	104050	1	1
14	Swivel** -5" Long Handle (NH)	104051	1	1
14	Swivel** -6" Long Handle (NH) Ω	104053	1	1
14	Swivel** -2½" Rockerlug (NH)	101420	1	1
14	Swivel** -3" Long Handle (NH)	104013	1	1
14	Swivel** -3½" Rockerlug (NH)	104014	1	1
14	Swivel** -4" Rockerlug (NH)	104015	1	1
14	Swivel** -4½" Rockerlug (NH)	104016	1	1
14	Swivel** -5" Rockerlug (NH)	104017	1	1
14	Swivel** -6" Rockerlug (NH) Ω	104019	1	1
15	Inlet Adapter‡ - 2½"	102164	1	1
15	Inlet Adapter‡ - 3"	102165	1	1
15	Inlet Adapter‡ - 3½"	102166	1	1
15	Inlet Adapter‡ - 4"	102167	1	1
15	Inlet Adapter‡ - 4½"	109709	1	1
15	Inlet Adapter‡ - 5"	109710	1	1
15	Inlet Adapter‡ - 6" Ω	109711	1	1
15a	Male Adapter** - 2½" (NH)	102158		1
15a	Male Adapter** - 3" (NH)	102161		1
15a	Male Adapter** - 3½" (NH)	102170		1
15a	Male Adapter** - 4" (NH)	102159		1
15a	Male Adapter** - 4½" (NH)	102160		1
15a	Male Adapter** - 5" (NH)	102162		1
15a	Male Adapter** - 6" (NH)	102163		1

ITEM NO.	DESCRIPTION	PART NUMBER	1582	1583
16	Ball Bearings	#	38	114
16	Ball Bearings for a 6" Swivel	#	40	116
17	Swivel Gasket - 2½"	7-17-043	1	1
17	Swivel Gasket - 3"	7-14-022	1	1
17	Swivel Gasket - 3½"	7-14-023	1	1
17	Swivel Gasket - 4"	7-14-024	1	1
17	Swivel Gasket - 4½"	7-14-025	1	1
17	Swivel Gasket - 5"	7-14-026	1	1
17	Swivel Gasket - 6"	7-14-028	1	1
18	O-Ring	7-57-080	1	1
19	Swivel Plug	7-42-023	1	3
20	Name Plate	7-73-168	1	1
21	Drive Screw	7-36-045	2	2
22	Female Swivel Adapter	102103		2
23	Swivel** - 2½" Rockerlug (NH)	101420		2
24	Swivel Gasket	7-17-043		2
25	Screen	7-69-027		2
26	Handle Ball	7-03-080	2	2
27	Handle Rod	109193	2	2
28	Washer	7-84-086	2	2
29	Hex Head Cap Screw	7-61-045	2	2
30	Handle Cover	7-07-369	2	2
31	Handle Hub	7-21-278	2	2
32	Handle Trunnion	102178	2	2
33	Spring	7-68-210	2	2
34	Retaining Ring	7-58-154	2	2
35	O-Ring	7-57-010	2	2
36	Ball Trunnion	102179	2	2
37	Stop Plate	7-42-073	2	2
38	O-Ring	7-57-284	2	2
39	Retaining Plate	7-42-089	2	2
40	Storz Adapter 4"	102144	1	1
40	Storz Adapter 5"	102149	1	1
41	O-Ring	7-57-210	1	1
42	Adapter Gasket	7-14-187	1	1
43	Seal - 4" Storz	7-69-333	1	1
43	Seal - 5" Storz	7-69-427	1	1
44	Storz Fitting - 4"	107070	1	1
44	Storz Fitting - 5"	107071	1	1
45	Socket Head Screw	7-65-002	1	1
46	Socket Head Screw (not shown)	7-65-028	8	8
47	Storz Inlet Adapter	102145	1	1

*Parts included in Field Service Kit #9128 (2 required).

**For other threads order by description and thread size (ODM and TPI) or Akron Thread Code.

‡ Part number applies to Adapters which connect to the Body (#12) with a 10 TPI thread. For units with a 16 TPI thread, the Body (#12) must also be replaced.

‡Old style bodies (units with red handle covers) are no longer available. If the body is needed – the handle assemblies must also be replaced.

Contact Customer Service for additional information.

#Packet of 50 Ball Bearings – P/N 109041

Ω When ordering either 6" swivel or 6" swivel adapter, both parts must be replaced.



ISO 9001 REGISTERED COMPANY

PHONE: 330.264.5678 or 800.228.1161 | FAX: 330.264.2944 or 800.531.7335 | www.akronbrass.com
Available in Canada through AKRON MANUFACTURING COMPANY
PHONE: 519.773.8431 | FAX: 519.773.3794

REVISED 03/04

WARRANTY AND DISCLAIMER: We warrant Akron Brass products for a period of five (5) years after purchase against defects in materials or workmanship. Akron Brass will repair or replace product which fails to satisfy this warranty. Repair or replacement shall be at the discretion of Akron Brass. Products must be promptly returned to Akron Brass for warranty service.

We will not be responsible for: wear and tear; any improper installation, use, maintenance or storage; negligence of the owner or user; repair or modification after delivery; damage; failure to follow our instructions or recommendations; or anything else beyond our control. WE MAKE NO WARRANTIES, EXPRESS OR IMPLIED, OTHER THAN THOSE INCLUDED IN THIS WARRANTY STATEMENT, AND WE DISCLAIM ANY IMPLIED WARRANTY OF MERCHANTABILITY OR FITNESS FOR ANY PARTICULAR PURPOSE. Further, we will not be responsible for any consequential, incidental or indirect damages (including, but not limited to, any loss of profits) from any cause whatsoever. No person has authority to change this warranty.

© Premier Farnell Corporation. 2000 All rights reserved. No portion of this can be reproduced without the express written consent of Premier Farnell Corporation.

A Premier Farnell Company