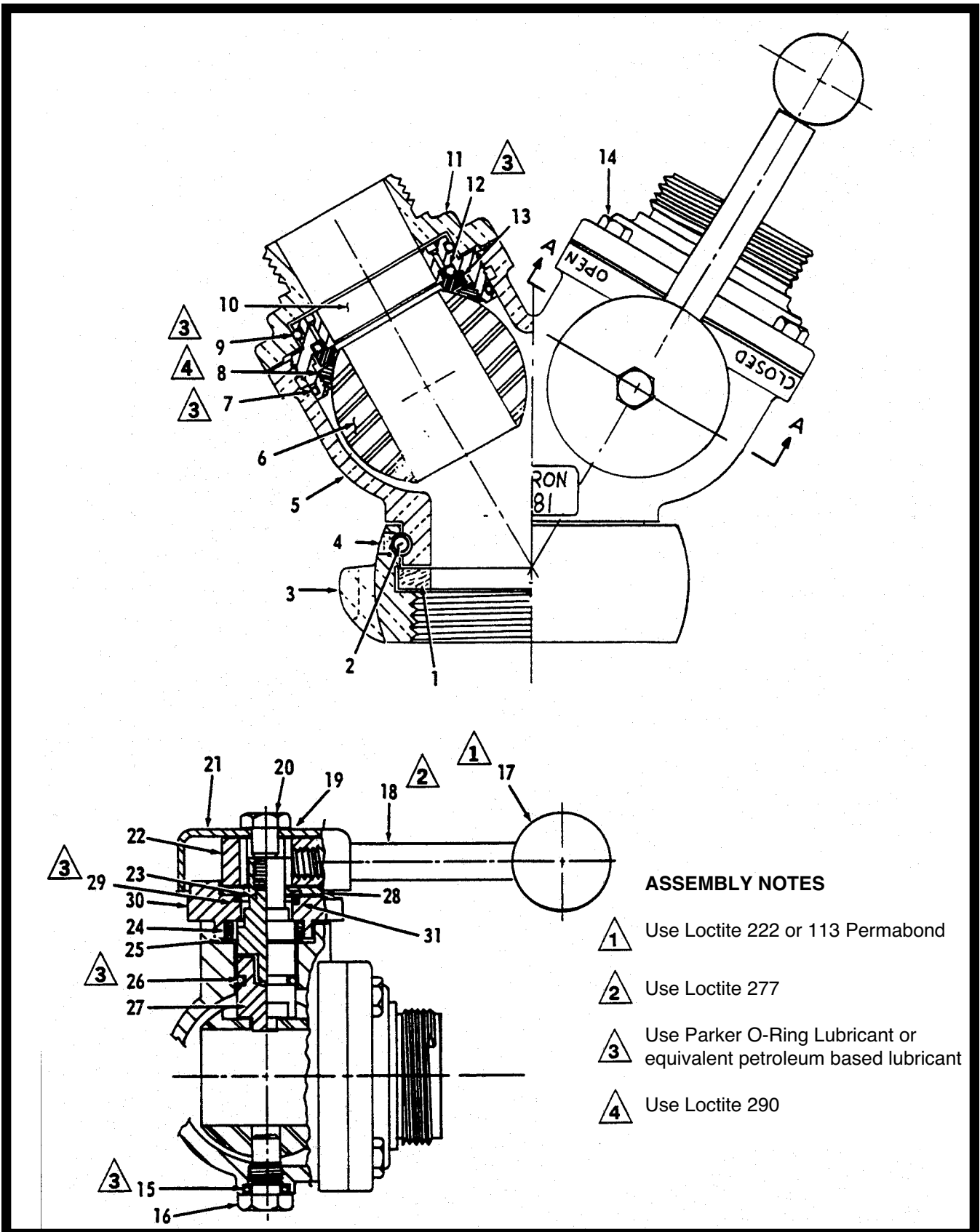


**TECHNICAL SERVICE PARTS LIST**





ITEM NO.	DESCRIPTION	PART NUMBER	QUANTITY
1	Gasket	7-17-043	1
2	Ball Bearings	†	38
3	Swivel** - 2 1/2" (NH)	101420	1
4	Swivel Plug	7-42-023	1
5	Body‡	102086	1
6*	Ball	7-03-151	2
7*	O-Ring	7-57-043	2
8	Seat Retaining Ring	102091	2
9*	O-Ring	7-57-044	2
10	Seat Housing	102088	2
11	Male Adapter** - 1 1/2" (NH)	102076	2
11	Male Adapter** - 1 1/2" (NPSH)	102077	2
12*	O-Ring	7-57-111	2
13*	Seat	7-69-074	2
14	Hex Head Cap Screw	7-61-046	8
15*	O-Ring	7-57-034	2
16	Threaded Trunnion	102094	2
17	Handle Ball	7-03-080	2
18	Handle Rod	109148	2
19	Washer	7-84-076	2
20	Hex Head Cap Screw	7-65-094	2
21	Handle Cover	7-07-199	2
22	Handle Hub	7-21-202	2
23	Handle Trunnion	102095	2
24	Spring	7-68-116	2
25	Retaining Ring	7-58-153	2
26*	O-Ring	7-57-042	2
27	Ball Trunnion	102096	2
28	Stop Plate	7-42-074	2
29*	O-Ring	7-57-009	2
30	Retaining Plate	7-42-075	2
31	Socket Head Cap Screw (not shown)	7-65-028	8

\*Parts included in Field Service Kit #9125 (2 required).

\*\*For other threads order by description and thread size (ODM and TPI) or Akron Thread Code.

†Packet of 50 Ball Bearings - P/N 109041

‡Old style bodies (units with red handle covers) are no longer available. If the body is needed, the handle assemblies must also be replaced.

Contact Customer Service for additional information.

