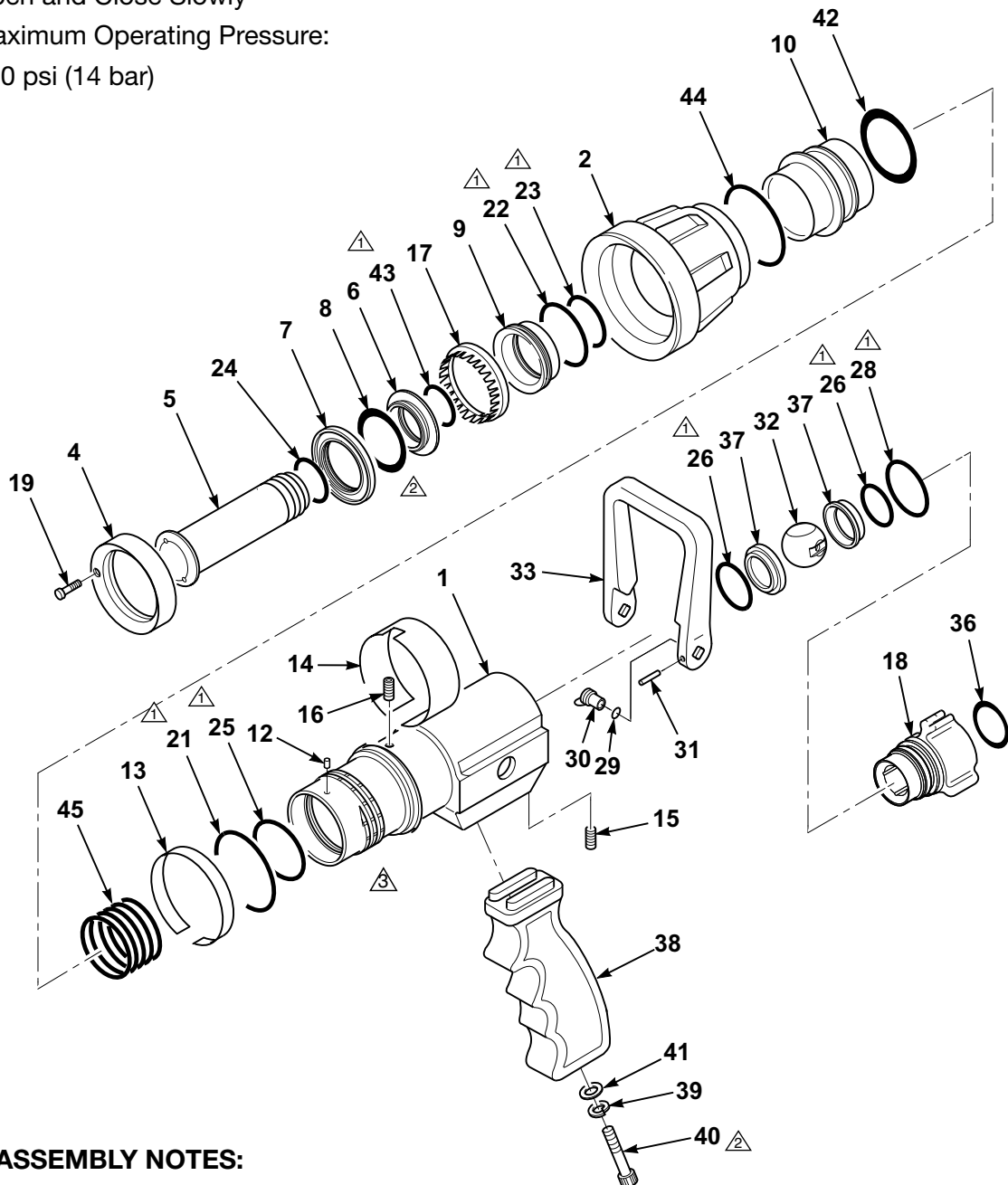


TECHNICAL SERVICE PARTS LIST

OPERATING NOTES:

- Read Operating Instructions Before Use
- Open and Close Slowly
- Maximum Operating Pressure:
200 psi (14 bar)


ASSEMBLY NOTES:

- △ Use Parker O-Ring Lubricant or equivalent petroleum based lubricant
- △ Use Loctite 222 or Permabond LM 113
- △ Use Low-Temp Lubriplate



STYLES 1522, 1523
Decon SaberJet™ Nozzles
TECHNICAL SERVICE PARTS LIST

ITEM NO.	DESCRIPTION	PART NUMBER	QUANTITY	
			1522	1523
1	Nozzle Body with Pistol Grip	118229		1
1	Nozzle Body	118228	1	
2†	Bumper Assembly	15220011	1	1
4	Turbine Retaining Ring	118047	1	1
5	1" Tip	118267	1	1
6	Baffle Head	118042	1	1
7	Gasket Retainer	118056	1	1
8	Baffle Gasket	717057	1	1
9	Throat Sleeve	118051	1	1
10	Throat	118048	1	1
12	Retaining Pin	744407	3	3
13	Pattern Band 1522	704727	1	
13	Pattern Band 1523	704728		1
14	Indicator Band	704731	1	1
15	Socket Head Set Screw	765008	1	1
16	Socket Head Set Screw	765083	1	1
17	Turbine Teeth	772160	1	1
18**	Swivel Assembly (1 1/2" NH)	15230138	1	1
19	Socket Head Cap Screw	765211	2	2
21	O-Ring	757402	1	1
22	O-Ring	757403	1	1
23	O-Ring	757404	1	1
24	O-Ring	757405	1	1
25	O-Ring	757406	1	1
26	O-Ring	757407	2	2
28	O-Ring	757409	1	1
29	O-Ring	757410	2	2
30	Trunnion	107860	2	2
31	Roll Pin	744062	2	2
32	Ball	704651	1	1
33	Handle	721123	1	1
36	Swivel Gasket 1 1/2"	717056	1	1
37	Seat	769243	2	2
38	Pistol Grip	718138		1
39	Lock Washer	784090		1
40	Socket Head Cap Screw	763064		1
41	Flat Washer	784093		1
42	Seal	768223	1	1
43	O-Ring	757411	1	1
44	O-Ring	757412	2	2
45	Spring	768262	1	1
Not Shown	Smooth Bore Label	704732	1	1

** For other threads order by description and thread size (ODM and TPI) or by Akron Thread Code

† A new pattern band item #13 is required



ISO 9001 REGISTERED COMPANY

PHONE: 330.264.5678 or 800.228.1161 | FAX: 330.264.2944 or 800.531.7335 | www.akronbrass.com
 Available in Canada through AKRON MANUFACTURING COMPANY
 PHONE: 519.773.8431 | FAX: 519.773.3794

REVISED 03/04

WARRANTY AND DISCLAIMER: We warrant Akron Brass products for a period of five (5) years after purchase against defects in materials or workmanship. Akron Brass will repair or replace product which fails to satisfy this warranty. Repair or replacement shall be at the discretion of Akron Brass. Products must be promptly returned to Akron Brass for warranty service.

We will not be responsible for: wear and tear; any improper installation, use, maintenance or storage; negligence of the owner or user; repair or modification after delivery; damage; failure to follow our instructions or recommendations; or anything else beyond our control. WE MAKE NO WARRANTIES, EXPRESS OR IMPLIED, OTHER THAN THOSE INCLUDED IN THIS WARRANTY STATEMENT, AND WE DISCLAIM ANY IMPLIED WARRANTY OF MERCHANTABILITY OR FITNESS FOR ANY PARTICULAR PURPOSE. Further, we will not be responsible for any consequential, incidental or indirect damages (including, but not limited to, any loss of profits) from any cause whatsoever. No person has authority to change this warranty.

© Premier Farnell Corporation. 2000 All rights reserved. No portion of this can be reproduced without the express written consent of Premier Farnell Corporation.

A Premier Farnell Company