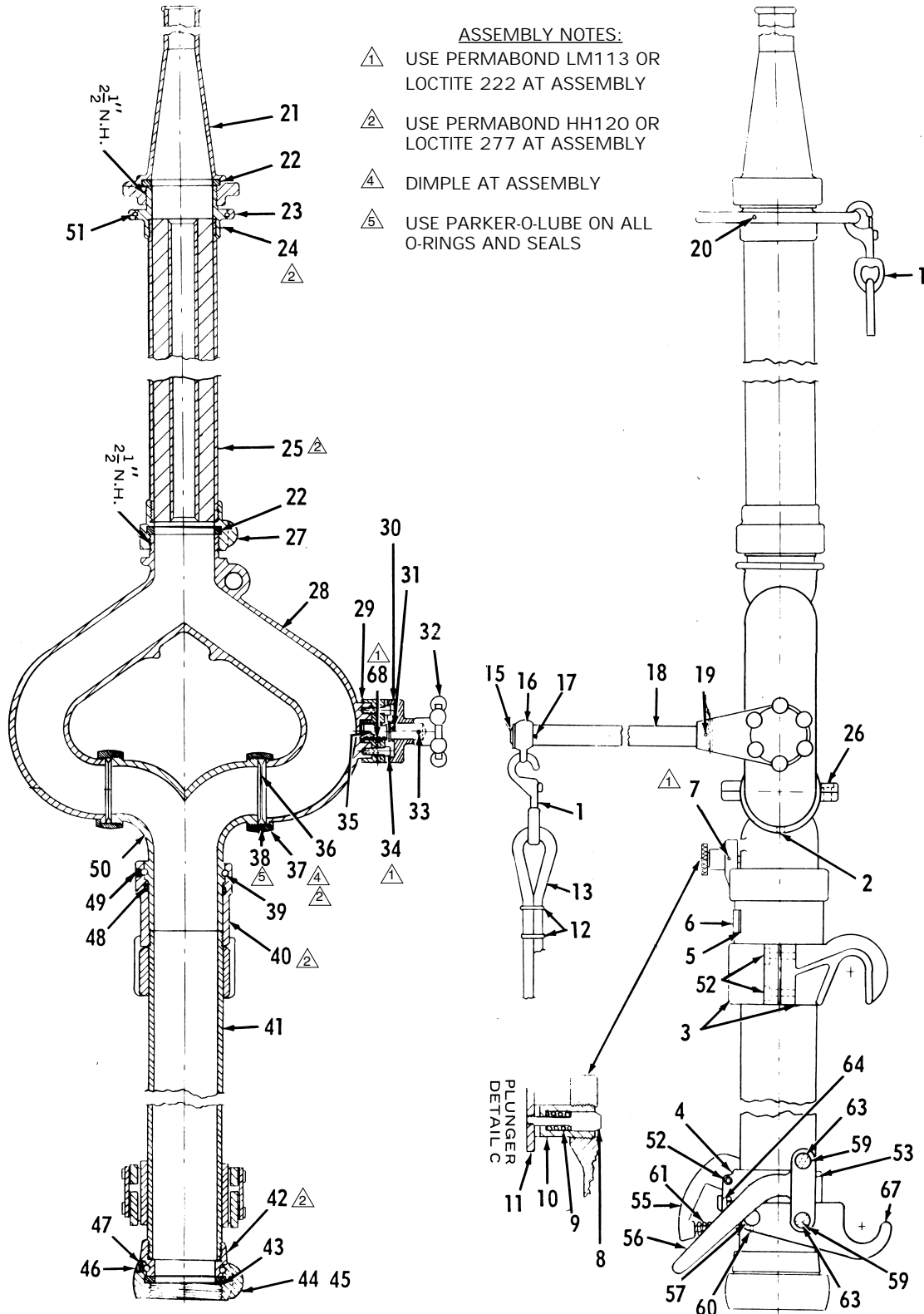
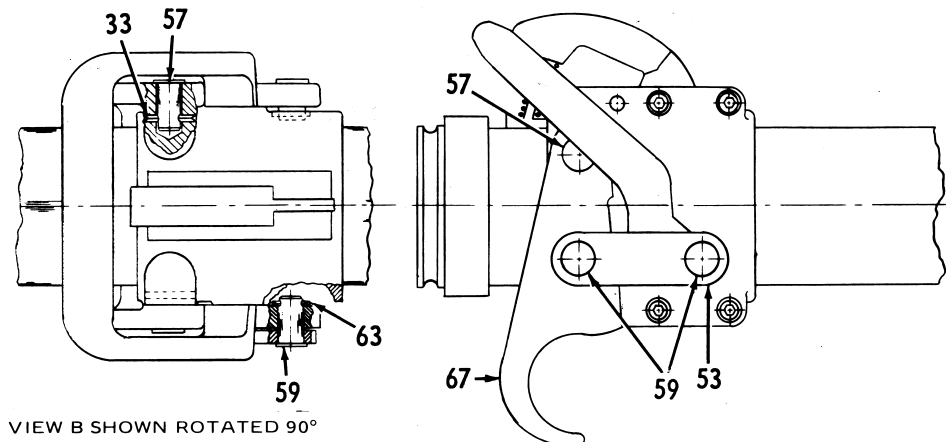
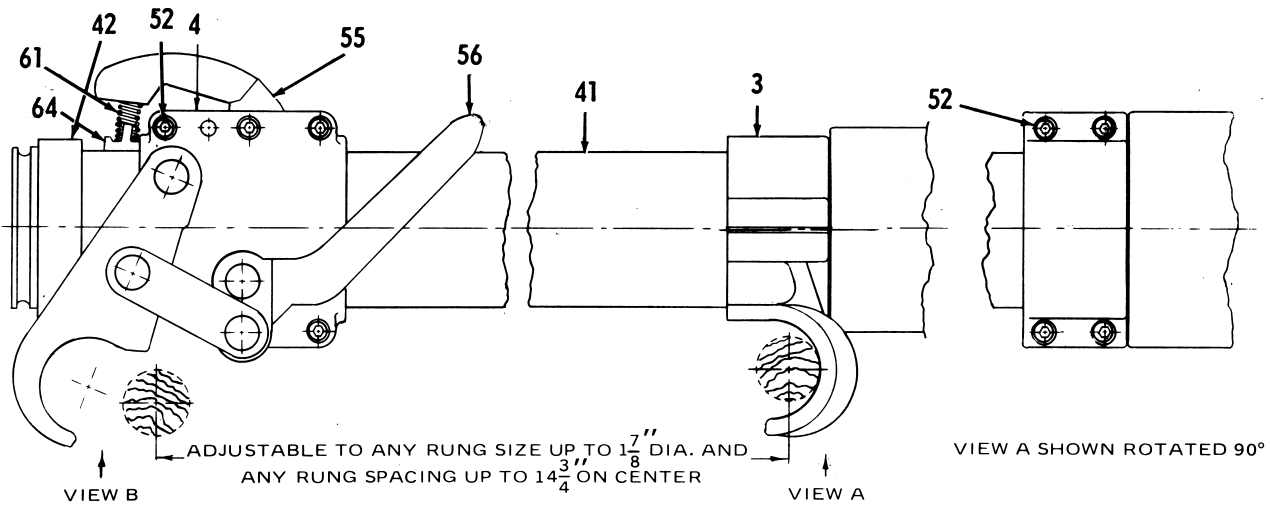


TECHNICAL SERVICE PARTS LIST



**MAXIMUM FLOW 750 GPM (2900 LPM)
MAXIMUM PRESSURE 100 PSI (690 KPA)**

TECHNICAL SERVICE PARTS LIST





ITEM NO.	DESCRIPTION	PART NUMBER	QUANTITY
1	Swiveling Snap Hook	7-21-013	2
2	Set Screw	7-65-008	2
3	Upper Clamp (Round Rung)	104896	1
3	Upper Clamp (Square Rung)	107533	1
4	Lower Clamp Bracket†	104897	1
5	Drive Screw	7-36-045	4
6	Name Plate	7-73-268	1
7	Set Screw	7-65-025	1
8	Plunger	7-45-051	1
9	Spring	7-68-150	1
10	Plunger Housing	101668	1
11	Handwheel	101670	1
12	Pig Ring	7-58-006	4
13	Manila Rope (200' — 3/8")	7-58-011	1
14	Item # not used		
15	Handle Plug‡	101659	1
16	Rope Swivel‡	101669	1
17	Groove Pin‡	7-44-208	1
18	Handle‡	102052	1
19	Roll Pin‡	7-44-080	2
20	Set Screw**	7-65-018	1
21	Tip — 1 1/4" Orifice	0489-0002	1
21	Tip — 1 3/8" Orifice	0489-0001	1
21	Tip — 1 1/2" Orifice	0489-0027	1
21	Tip — 1 3/4"	0489-0030	1
22	Gasket (one included with each tip)**	7-17-043	4
23	Rope Swivel Ring**	102067	1
24	Top Adapter**	101581	1
25	Discharge Pipe**	102055	1
26	Elbow Swivel Screw (provided with #37)	7-60-010	4
27	Bottom Adapter**	101580	1
28	Siamese	102064	1
29	Ratchet Hub	117875	1
30	Handle Ratchet‡	117873	1
31	Tru-Arc Ring‡	7-58-037	1
32	Handle Knob‡	101660	1
33	Roll Pin‡	7-44-056	1
34	Socket Head Cap Screw	7-67-003	4
35	Handle Ratchet Stud‡	117871	1
36	Vee Gasket Retaining Ring	7-58-099	2
37	Elbow Swivel	104832	2
38	Vee Gasket	7-15-016	2
39	Ball Bearing — Siamese	***	45
40	Base Adapter	109841	1
41	Inlet Pipe	102053	1
42	Swivel Adapter — 2 1/2"	102058	1
42	Swivel Adapter — 3"	102059	1
43	Gasket — 2 1/2"	7-17-043	1
43	Gasket — 3"	7-14-022	1
44	Swivel* — 2 1/2" (NH)	101420	1
45	Swivel* — 3" (NH)	104013	1
46	Swivel Plug	7-42-023	1

ITEM NO.	DESCRIPTION	PART NUMBER	QUANTITY
47	Ball Bearing (2 1/2" Swivel)	***	38
47	Ball Bearing (3" Swivel)	***	46
48	O-Ring	7-57-003	1
49	Swivel Plug	7-42-023	1
50	Siamese Inlet	109840	1
51	Swivel Wire (11")**	7-83-029	1
52	Socket Head Set Screw†	7-67-003	9
53	Connecting Bar†	101667	2
54	Item # not used		
55	Safety Catch†	102063	1
56	Lower Handle Bracket†	120246	1
57	Hook Pin†	102065	4
58	Item # not used		
59	Link Pin†	102066	4
60	Roll Pin†	7-44-066	4
61	Spring	7-68-167	1
62	Item # not used		
63	Roll Pin†	7-44-066	4
64	Spring Retainer†	102056	1
65,66	Item # not used		
67	Lower Hook Bracket (Round Rung)†	120244	1
67	Lower Hook Bracket (Square Rung)†	107534	1
68	Socket Head Set Screw	7-65-040	1

*For other threads order by description and thread size (ODM and TPI) or Akron Thread Code.

NOTE: If unit does not have a Spring Loaded Safety Catch (#55) contact Akron Brass.

NOTE: If Handle Knob (#32) is detachable, unit may be upgraded to prevent the handle from coming off when loosening the knob by replacing items #29, #35 and adding item #68.

NOTE: When repairing the Lower Clamping Bracket, note the number of screws holding the assembly to the pipe. If only 2 screws are provided (#52) the entire Lower Clamping Bracket Assembly must be ordered (P/N 1496-0019). Included in the Lower Clamping Bracket Assembly is item #4 and Items #52 and #67.

NOTE: If Handle (#18) has a Snap Ring immediately above the rope swivel (#16) and Snap Ring is needed, replace with the new Handle (#18) and Groove Pin (#17).

** Parts included in Discharge Pipe Assembly (P/N 1496-0012).

†Parts included in Lower Clamping Bracket Assembly (P/N 1496-0028).

‡Parts included in Elevation Handle Assembly (P/N 1496-0020).

***Packet of 50 Ball Bearings - P/N 109041.