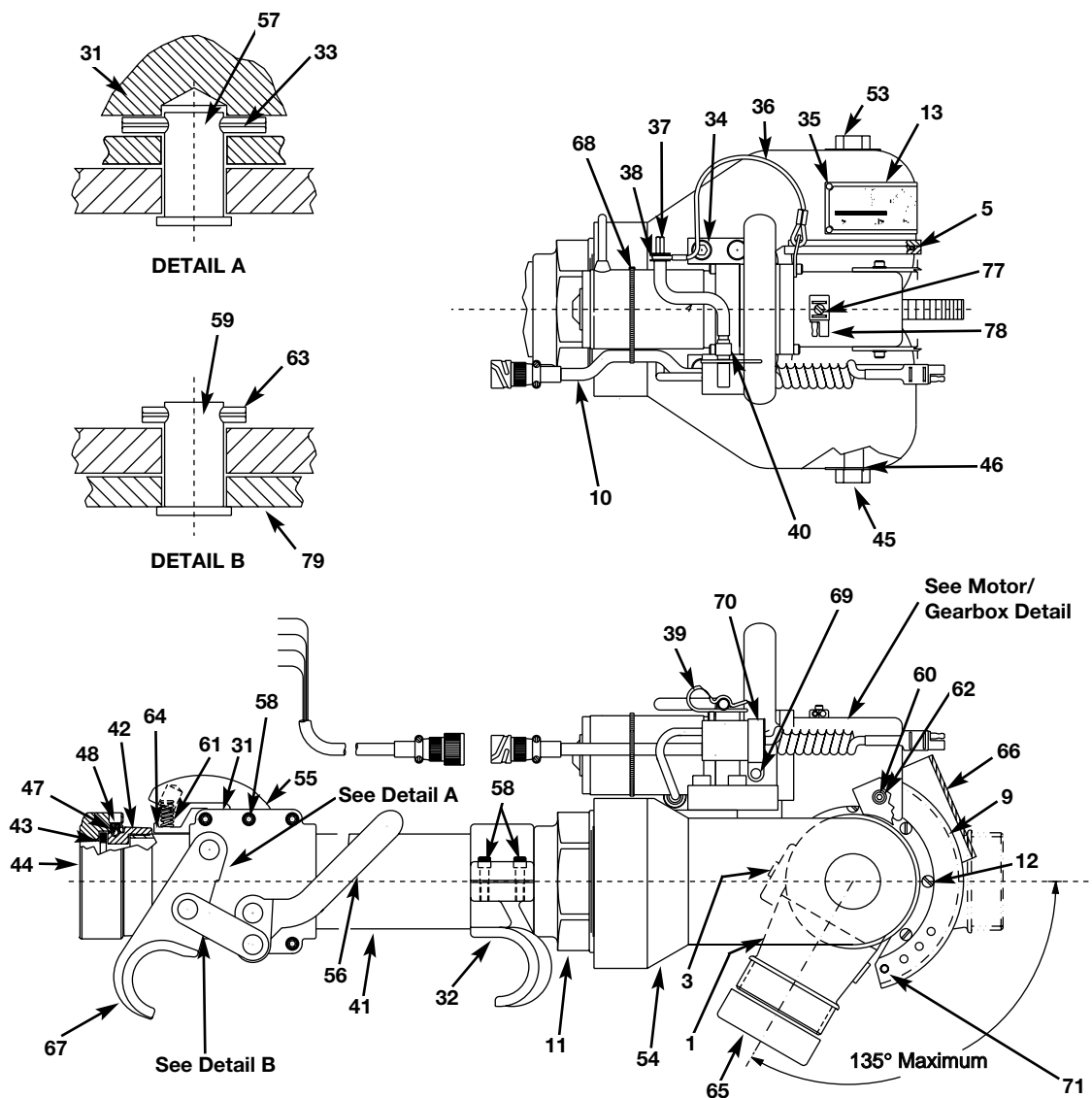
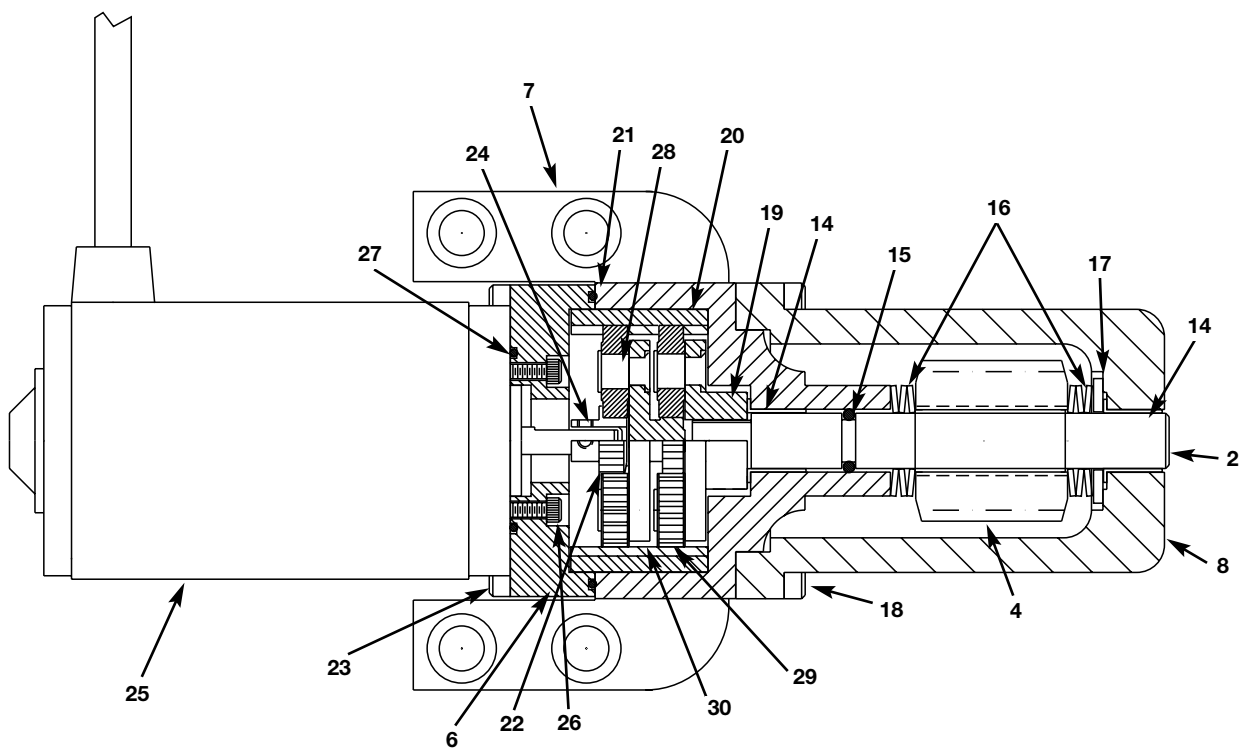


TECHNICAL SERVICE PARTS LIST





MOTOR/GEARBOX DETAIL



**STYLE 1494
Electric Ladder Pipe**

TECHNICAL SERVICE PARTS LIST

ITEM NO.	DESCRIPTION	PART NUMBER	QUANTITY
1	Tee Outlet	104586	1
2	Shaft Output	769623	1
3	Plug Pipe	744009	1
4	WormSteel Chrome	117312	1
5	O-Ring	757017	2
6	Adapter	117293	1
7	Gear Box Elevation	117294	1
8	Housing Gear	117295	1
9	Gear Worm	117311	1
10	Harness Wiring	721337	1
11	Adapter Base	117297	1
12	Flat Head Screw	765118	4
13	ID Plate	744395	1
14	Bearing	704238	2
15	O-Ring	757295	1
16	Spring	769276	6
17	Washer	784059	1
18	Socket Head Cap Screw	767086	4
19	Carrier Elevation Output	707334	1
20	Gear Internal Elevation	718164	1
21	O-Ring	757063	1
22	Gear Motor	718163	1
23	Socket Head Cap Screw	767100	4
24	Socket Head Set Screw	765082	1
25	Motor 12V	3578-0011	1
25	Motor 24V	3578-0095	1
26	Socket Head Cap Screw	765179	4
27	O-Ring	757056	1
28	Rivet	754052	6
29	Gear Spur	718165	6
30	Plate Carrier	742119	1
31	Clamp Lower Bracket	104897	1
32	Upper Clamp (Round Rung)	104896	1
32	Upper Clamp (Square Rung)	107533	1
33	Roll Pin	744056	4
34	Socket Head Cap Screw	765154	4
35	Nail Grip	736045	4
36	Lanyard	729076	1
37	Handle Override	721291	1
38	Retaining Ring	758203	2
39	Clip Hairpin	744339	1
40	Cable Clamp	707189	1
41	Pipe Inlet	102053	1
42	Adapter Swivel 2 1/2"	102058	1
42	Adapter Swivel 3"	102059	1
43	Gasket 2 1/2"	717043	1
43	Gasket 3"	714022	1
44	Swivel 2 1/2" NH	101420	1
44	Swivel 3"	104013	1
45	Screw	765097	1
46	O-Ring	757170	1
47	Brass Ball	703017	46
48	Plug	742023	1
53	Hex Head Cap Screw	765098	1
54	Siamese	104574	1
55	Safety Catch	102063	1
56	Handle Lower Bracket Clamp	101658	1
57	Pin Handle	102065	4
58	Socket Head Screw	763041	7
59	Pin Link	102066	4
60	Socket Head Cap Screw	767029	2
61	Spring	768167	1



STYLE 1494
Electric Ladder Pipe

TECHNICAL SERVICE PARTS LIST

ITEM NO.	DESCRIPTION	PART NUMBER	QUANTITY
62	Washer	784072	3
63	Roll Pin	744066	4
64	Spring Retainer	102056	1
65	Cap	706256	1
66	Gear Guard	718193	1
67	Lower Hook (Round Rung)	105634	1
67	Lower Hook (Square Rung)	107534	1
68	Tie Cable	773314	1
69	Socket Head Cap Screw	766043	1
70	Cable Clamp	707403	1
71	Roll Pin	744096	1
77	Pan Head Screw	767147	1
78	Clip	707219	1
79	Bar Connection for Clamp	101667	2
Not Shown	Control Box	3577-0001	1
Not Shown	12/24V Logic Box	3578-1038	1
Not Shown	12V Battery Assy	3578-0085	1
Not Shown	24V Battery Assy	3578-0009	1
Not Shown	Cable Reel	1494-0035	1
Not Shown	12/24V PC Board	3578-1039	1
Not Shown	24V PC Board 'CE' Version	3578-0135	1



ISO 9001 REGISTERED COMPANY

PHONE: 330.264.5678 or 800.228.1161 | FAX: 330.264.2944 or 800.531.7335 | www.akronbrass.com
 Available in Canada through AKRON MANUFACTURING COMPANY
 PHONE: 519.773.8431 | FAX: 519.773.3794

REVISED 01/04

WARRANTY AND DISCLAIMER: We warrant Akron Brass products for a period of five (5) years after purchase against defects in materials or workmanship. Akron Brass will repair or replace product which fails to satisfy this warranty. Repair or replacement shall be at the discretion of Akron Brass. Products must be promptly returned to Akron Brass for warranty service.

We will not be responsible for: wear and tear; any improper installation, use, maintenance or storage; negligence of the owner or user; repair or modification after delivery; damage; failure to follow our instructions or recommendations; or anything else beyond our control. WE MAKE NO WARRANTIES, EXPRESS OR IMPLIED, OTHER THAN THOSE INCLUDED IN THIS WARRANTY STATEMENT, AND WE DISCLAIM ANY IMPLIED WARRANTY OF MERCHANTABILITY OR FITNESS FOR ANY PARTICULAR PURPOSE. Further, we will not be responsible for any consequential, incidental or indirect damages (including, but not limited to, any loss of profits) from any cause whatsoever. No person has authority to change this warranty.

© Premier Farnell Corporation. 2000 All rights reserved. No portion of this can be reproduced without the express written consent of Premier Farnell Corporation.

A Premier Farnell Company