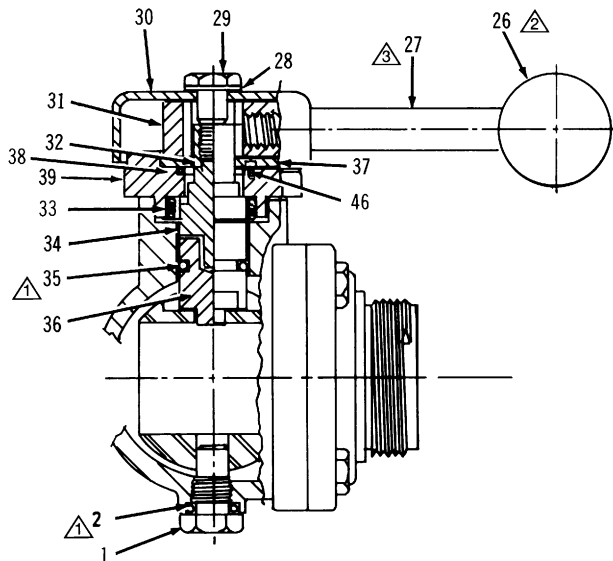
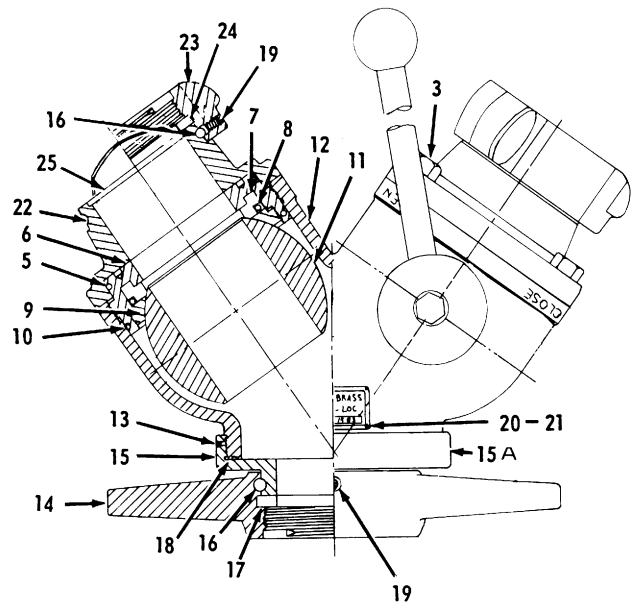
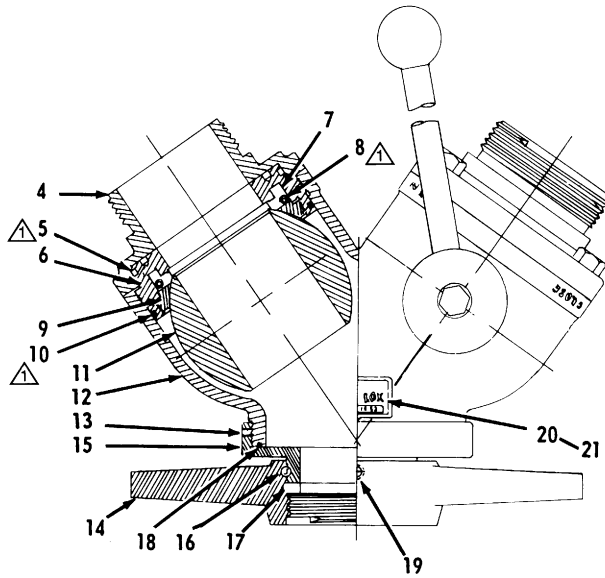


TECHNICAL SERVICE PARTS LIST

Maximum Operating Pressure 250 PSI
CAUTION: Open and Close Valve Slowly.



ASSEMBLY NOTES

- △ Use Parker O-Ring Lubricant or equivalent petroleum base lubricant
- △ Use Loctite 222 or Permabond 113
- △ Use Loctite 277



ITEM NO.	DESCRIPTION	PART NUMBER	QUANTITY	
			1482	1483
1	Trunnion	7-73-094	2	2
2*	O-Ring	7-57-198	2	2
3	Hex Head Screw	7-61-016	8	8
4	Male Adapter Cast - NH*	115465	2	
4	Male Adapter Chrome - NH*	101884	2	
5*	O-Ring	7-57-035	2	2
6	Seat Housing	104877	2	2
7*	Seat	7-69-160	2	2
8*	O-Ring	7-57-045	2	2
9	Retaining Ring	7-58-115	2	2
10*	O-Ring	7-57-036	2	2
11*	Ball	7-03-083	2	2
12	Body	117577	1	1
13	Socket Head Screw	7-65-040	1	1
14	Swivel 2-1/2" R.L. Cast - NH**	101325	1	1
14	Swivel 2-1/2" R.L. Chrome - NH**	101343	1	1
14	Swivel 2-1/2" L.H. Cast - NH**	116188	1	1
14	Swivel 2-1/2" L.H. Chrome - NH**	100103	1	1
14	Swivel 3" R.L. Cast - NH**	100062	1	1
14	Swivel 3" R.L. Chrome - NH**	100066	1	1
14	Swivel 3" L.H. Cast - NH**	100098	1	1
14	Swivel 3" L.H. Chrome - NH**	100104	1	1
14	Swivel 3" R.L. Cast - NH**	110342	1	1
14	Swivel 3-1/2" R.L. Chrome - NH**	100067	1	1
14	Swivel 3-1/2" L.H. Cast - NH**	116614	1	1
14	Swivel 3-1/2" L.H. Chrome - NH**	100105	1	1
14	Swivel 4" R.L. Cast - NH**	100063	1	1
14	Swivel 4" R.L. Chrome - NH**	100068	1	1
14	Swivel 4" L.H. Cast - NH**	100099	1	1
14	Swivel 4" L.H. Chrome - NH**	100106	1	1
14	Swivel 4-1/2" R.L. Chrome - NH**	116618	1	1
14	Swivel 4-1/2" L.H. Cast - NH**	100100	1	1
14	Swivel 4-1/2" L.H. Chrome - NH**	100107	1	1
14	Swivel 5" R.L. Cast - NH**	100065	1	1
14	Swivel 5" L.H. Cast - NH**	100101	1	1
14	Swivel 5" L.H. Chrome - NH**	100108	1	1
14	Swivel 6" R.L. Cast - NH**	116613	1	1
14	Swivel 6" R.L. Chrome - NH**	100070	1	1
14	Swivel 6" L.H. Cast - NH**	100102	1	1
14	Swivel 6" L.H. Chrome - NH**	100109	1	1
15	Inlet Adapter 2-1/2" Cast	102031	1	1
15	Inlet Adapter 2-1/2" Chrome	102032	1	1
15	Inlet Adapter 3" Cast	104891	1	1
15	Inlet Adapter 3-1/2" Cast	116607	1	1
15	Inlet Adapter 3-1/2" Chrome	116622	1	1
15	Inlet Adapter 4" Cast	104889	1	1
15	Inlet Adapter 4" Chrome	102033	1	1
15	Inlet Adapter 4-1/2" Cast	105238	1	1
15	Inlet Adapter 4-1/2" Chrome	102034	1	1
15	Inlet Adapter 5" Cast	104892	1	1
15	Inlet Adapter 5" Chrome	102037	1	1
15	Inlet Adapter 6" Cast	104890	1	1
15	Inlet Adapter 6" Chrome	102035	1	1



STYLE 1482 Brass Wye
STYLE 1483 Brass Siamese
TECHNICAL SERVICE PARTS LIST

ITEM NO.	DESCRIPTION	PART NUMBER	QUANTITY	
			1482	1483
15A	Male Adapter 2-1/2" Chrome	116624		1
15A	Male Adapter 3" Cast	116603		1
15A	Male Adapter 3" Chrome	116625		1
15A	Male Adapter 3-1/2" Cast	116611		1
15A	Male Adapter 3-1/2" Chrome	116623		1
15A	Male Adapter 4" Cast	106179		1
15A	Male Adapter 4" Chrome	116628		1
15A	Male Adapter 4-1/2" Chrome	116629		1
15A	Male Adapter 5" Cast	116608		1
15A	Male Adapter 5" Chrome	116626		1
15A	Male Adapter 6" Cast	105239		1
15A	Male Adapter 6" Chrome	116627		1
16	Ball Bearing for 2-1/2" Swivel, #14	†	38	38
16	Ball Bearing for 3" Swivel, #14	†	47	47
16	Ball Bearing for 3-1/2" Swivel, #14	†	53	53
16	Ball Bearing for 4" Swivel, #14	†	56	56
16	Ball Bearing for 4-1/2" Swivel, #14	†	69	69
16	Ball Bearing for 5" Swivel, #14	†	72	72
16	Ball Bearing for 6" Swivel, #14	†	86	86
16A	Ball Bearing with 2-1/2" Swivel #23	†	38	114
17	Swivel Gasket 2-1/2"	7-14-021	1	1
17	Swivel Gasket 3"	7-14-022	1	1
17	Swivel Gasket 3-1/2"	7-14-023	1	1
17	Swivel Gasket 4"	7-14-024	1	1
17	Swivel Gasket 4-1/2"	7-14-025	1	1
17	Swivel Gasket 5"	7-14-026	1	1
17	Swivel Gasket 6"	7-14-028	1	1
18	O-Ring	7-57-080	1	1
19	Plug	7-42-023	1	3
21	Handle Rod	109193	2	2
22	Female Adapter	104871		2
23	Swivel 2-1/2" R.L. Cast- NH**	101325		2
23	Swivel 2-1/2" R.L. Chrome - NH**	101343		2
24	Swivel Gasket	7-14-021		2
25	Screen	7-69-027		2
26	Ball	7-03-080	2	2
27	Handle Rod	109193	2	2
28	Washer	7-84-086	2	2
29	Screw Hex Head	7-61-045	2	2
30	Handle Cover	7-07-369	10	10
31	Handle Hub	7-21-278	2	2
32	Handle Trunnion	7-72-142	2	2
33	Spring	7-68-210	2	2
34	Ring Retainer	7-58-154	2	2
35	O-Ring	7-57-010	2	2
37	Handle Stop	7-42-073	2	2
38	O-Ring	7-57-284	2	2
39	Retaining Plate	7-42-089	2	2
46	Socket Head Screw	7-65-028	8	8

*Parts included in Field Service Kit #9127 (2 required)

**For other threads order by description and thread size (ODM and TPI) or by Akron Thread Code.

†Packet of 50 Ball Bearings - P/N 109041.



PHONE: 330.264.5678 or 800.228.1161 | FAX: 330.264.2944 or 800.531.7335 | www.akronbrass.com
Available in Canada through AKRON MANUFACTURING COMPANY
PHONE: 519.773.8431 | FAX: 519.773.3794

AB-487 (REV. 01/01)

WARRANTY AND DISCLAIMER: We warrant Akron Brass products for a period of five (5) years after purchase against defects in materials or workmanship. Akron Brass will repair or replace product which fails to satisfy this warranty. Repair or replacement shall be at the discretion of Akron Brass. Products must be promptly returned to Akron Brass for warranty service.

We will not be responsible for: wear and tear; any improper installation, use, maintenance or storage; negligence of the owner or user; repair or modification after delivery; damage; failure to follow our instructions or recommendations; or anything else beyond our control. WE MAKE NO WARRANTIES, EXPRESS OR IMPLIED, OTHER THAN THOSE INCLUDED IN THIS WARRANTY STATEMENT, AND WE DISCLAIM ANY IMPLIED WARRANTY OF MERCHANTABILITY OR FITNESS FOR ANY PARTICULAR PURPOSE. Further, we will not be responsible for any consequential, incidental or indirect damages (including, but not limited to, any loss of profits) from any cause whatsoever. No person has authority to change this warranty.

© Premier Farnell Corporation, 2000 All rights reserved. No portion of this can be reproduced without the express written consent of Premier Farnell Corporation.

A Premier Farnell Company