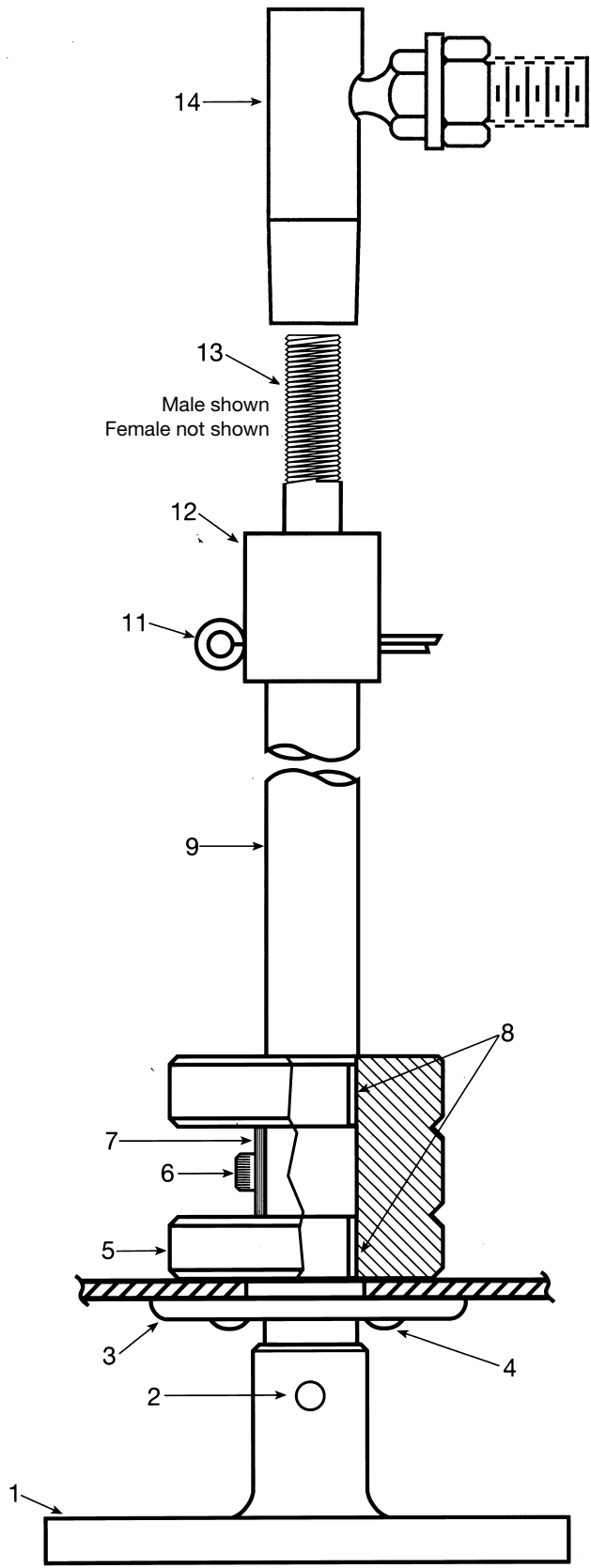


TECHNICAL SERVICE PARTS LIST





STYLES 1477 and 1478 Remote Control With Twist Lock TECHNICAL SERVICE PARTS LIST

ITEM NO.	DESCRIPTION	PART NUMBER	QUANTITY	
			1477	1478
1	T-Handle With Small Recess	1490-0001	1	–
1	T-Handle With Large Recess	1490-0002	1	–
1	T-Handle Without Recess	1489-0001	–	1
2	Roll Pin	7-44-221	1	1
3	Escutcheon Plate	109250	1	1
4	Oval Head Screw	7-63-063	4	4
5	Remote Control Body	102024	1	1
6	Socket Head Screw	7-67-029	2	2
7	Leaf Spring	7-69-107	3	3
8	1/2" Bearing*	7-03-473	2	2
9	Remote Control Rod (11 1/8" Stroke)	115407	1	1
9	Remote Control Rod (14 7/8" Stroke)	102026	1	1
9	Remote Control Rod (3 1/4" Stroke)	102027	1	1
9	Remote Control Rod (27 1/4" Stroke)	102028	1	–
11	Cotter Pin	7-44-003	1	1
12	Ball Joint Sleeve	7-69-479	1	1
13	Ball Joint Stud 1/2" - 20	7-69-170	1	1
13	Female Ball Joint 1/2" - 20 (not shown)	7-69-657	1	1
14	Ball Joint Assembly 1/2" - 20	1477-0001		

*Some units have 1 - 1/2" bearing and 1 - 3/4" bearing. P/N for 3/4" bearing is 7-03-481.



ISO 9001 REGISTERED COMPANY

PHONE: 330.264.5678 or 800.228.1161 | FAX: 330.264.2944 or 800.531.7335 | www.akronbrass.com
Available in Canada through AKRON MANUFACTURING COMPANY
PHONE: 519.773.8431 | FAX: 519.773.3794

REVISED 05/03

WARRANTY AND DISCLAIMER: We warrant Akron Brass products for a period of five (5) years after purchase against defects in materials or workmanship. Akron Brass will repair or replace product which fails to satisfy this warranty. Repair or replacement shall be at the discretion of Akron Brass. Products must be promptly returned to Akron Brass for warranty service. We will not be responsible for: wear and tear; any improper installation, use, maintenance or storage; negligence of the owner or user; repair or modification after delivery; damage; failure to follow our instructions or recommendations; or anything else beyond our control. WE MAKE NO WARRANTIES, EXPRESS OR IMPLIED, OTHER THAN THOSE INCLUDED IN THIS WARRANTY STATEMENT, AND WE DISCLAIM ANY IMPLIED WARRANTY OF MERCHANTABILITY OR FITNESS FOR ANY PARTICULAR PURPOSE. Further, we will not be responsible for any consequential, incidental or indirect damages (including, but not limited to, any loss of profits) from any cause whatsoever. No person has authority to change this warranty.

© Premier Farnell Corporation. 2000 All rights reserved. No portion of this can be reproduced without the express written consent of Premier Farnell Corporation.

A Premier Farnell Company