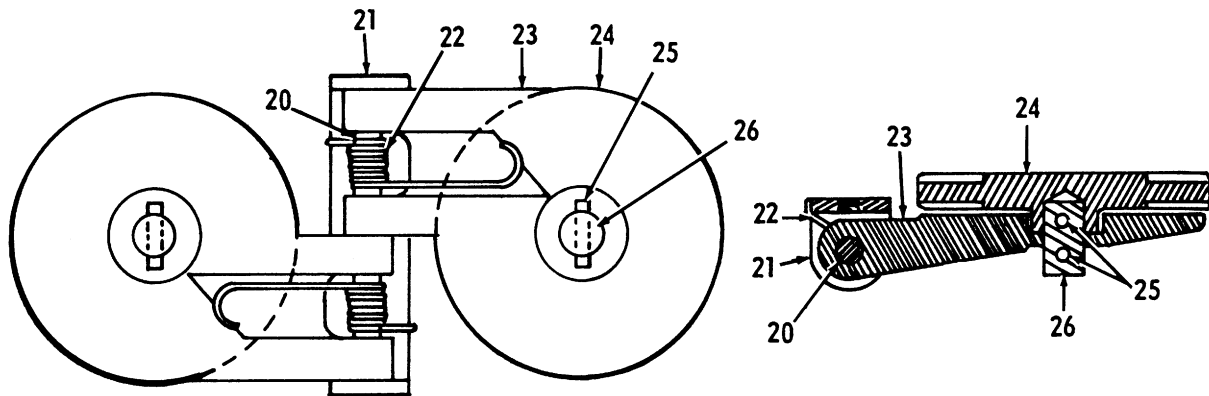
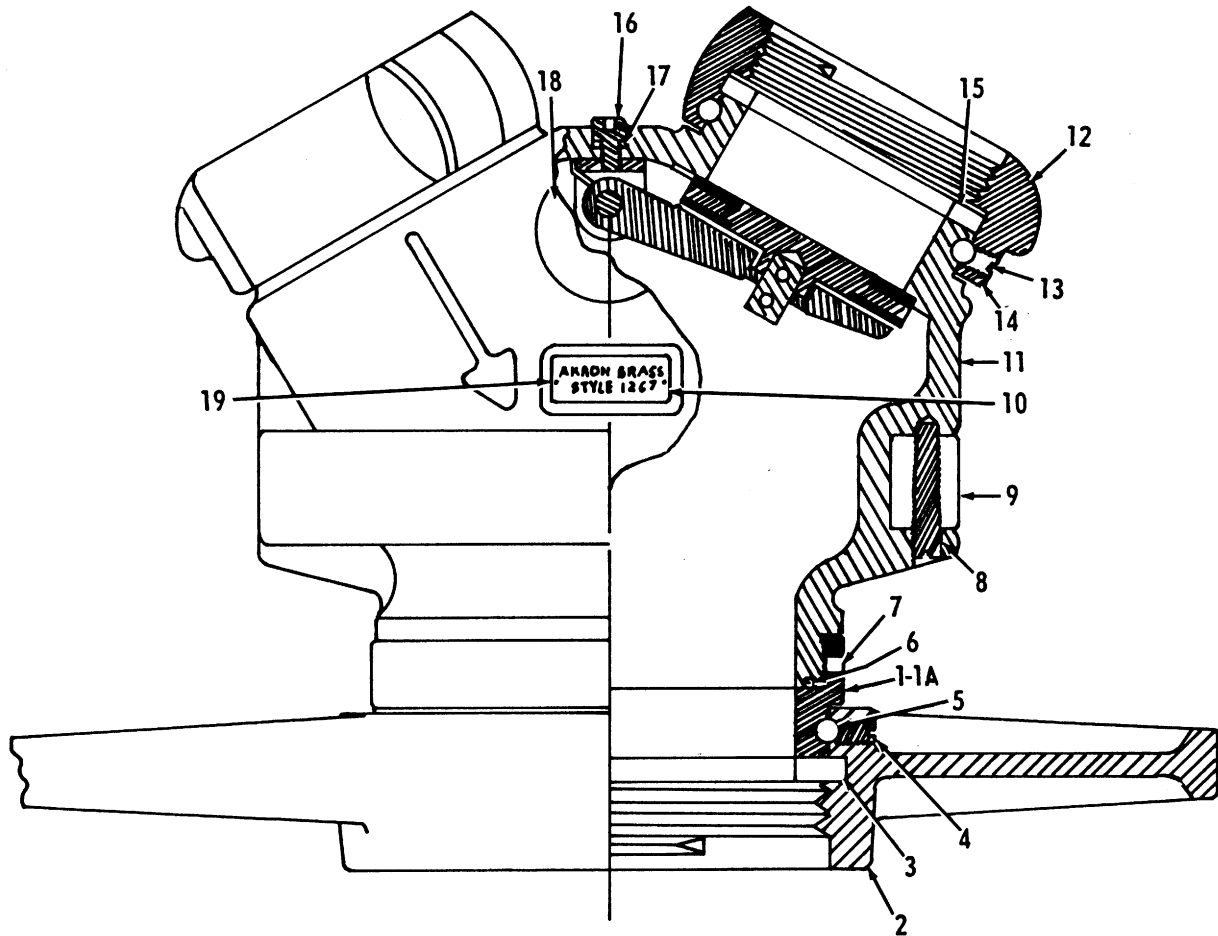


TECHNICAL SERVICE PARTS LIST



CLAPPER DETAIL

ITEM NO.	DESCRIPTION	PART NUMBER	QUANTITY
1	Outlet Adapter - 2½"	102164	1
1	Outlet Adapter - 3"	102165	1
1	Outlet Adapter - 3½"	102166	1
1	Outlet Adapter - 4"	102167	1
1	Outlet Adapter - 4½"	109709	1
1	Outlet Adapter - 5"	109710	1
1	Outlet Adapter - 6"	109711	1
1 A	Male Adapter - 2½" NH*	102158	1
1 A	Male Adapter - 3" NH*	102161	1
1 A	Male Adapter - 3½" NH*	102170	1
1 A	Male Adapter - 4" NH*	102159	1
1 A	Male Adapter - 4½" NH*	102160	1
1 A	Male Adapter - 5" NH*	102162	1
1 A	Male Adapter - 6" NH*	102163	1
2	Swivel - 2½" Long Handle NH*	104046	1
2	Swivel - 3" Long Handle NH*	104047	1
2	Swivel - 3½" Long Handle NH*	104048	1
2	Swivel - 4" Long Handle NH*	104049	1
2	Swivel - 4½" Long Handle NH*	104050	1
2	Swivel - 5" Long Handle NH*	104051	1
2	Swivel - 6" Long Handle NH*	104053	1
2	Swivel - 2½" Rockerlug NH*	101420	1
2	Swivel - 3" Rockerlug NH*	104013	1
2	Swivel - 3½" Rockerlug NH*	104014	1
2	Swivel - 4" Rockerlug NH*	104015	1
2	Swivel - 4½" Rockerlug NH*	104016	1
2	Swivel - 5" Rockerlug NH*	104017	1
2	Swivel - 6" Rockerlug NH*	104019	1
3	Swivel Gasket - 2½"	7-17-043	1
3	Swivel Gasket - 3"	7-14-022	1
3	Swivel Gasket - 3½"	7-14-023	1
3	Swivel Gasket - 4"	7-14-024	1
3	Swivel Gasket - 4½"	7-14-025	1
3	Swivel Gasket - 5"	7-14-026	1
3	Swivel Gasket - 6"	7-14-028	1
4	Outlet Swivel Plug	7-42-023	1
5	Outlet Swivel Ball Bearings 2½"	**	38
5	Outlet Swivel Ball Bearings 3"	**	47
5	Outlet Swivel Ball Bearings 3½"	**	53
5	Outlet Swivel Ball Bearings 4"	**	58
5	Outlet Swivel Ball Bearings 4½"	**	69
5	Outlet Swivel Ball Bearings 5"	**	72
5	Outlet Swivel Ball Bearings 6"	**	86
6	O-Ring	7-57-080	1
7	Set Screw	7-65-040	1
8	Handle Pin	7-41-036	2
9	Handle	108973	1
10	Name Plate	7-45-119	1
11	Body	101964	1
12	Inlet Swivel 2½" NH*	101420	2
13	Inlet Swivel Plug	7-42-023	2
14	Inlet Swivel Ball Bearings	**	76
15	Inlet Swivel Gasket	7-17-043	2
16	Set Screw	7-66-043	2
17	O-Ring	7-57-084	2
18	Drain Valve	Style 4	1
19	Drive Screw	7-67-013	2
20	Axis Pin	101959	1
21	Clapper Bracket	101957	1
22	Clapper Spring	7-68-029	2
23	Clapper Holder	101958	2
24	Valve Disc	101759	2
25	Roll Pin	7-44-049	4
26	Pivot Pin	101960	2

* For other threads order by description and thread size (ODM and TPI) or by thread code.
 ** Packet of 50 Ball Bearings - P/N 109041