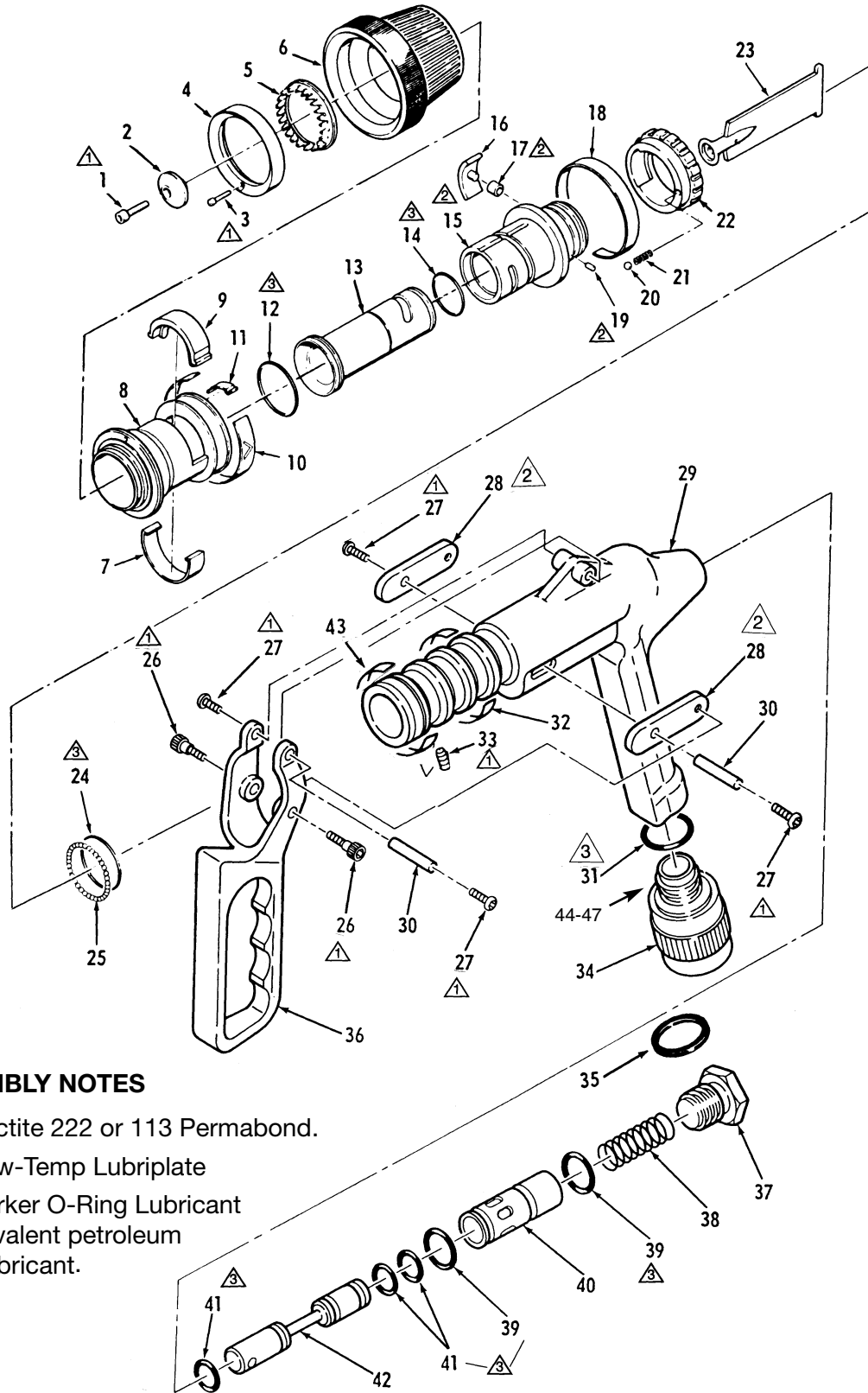


**NOTE: This product is currently no longer in production. For service and repair, please contact Akron's Customer Service at 800.228.1161 or 330.264.5678.**

**STYLE 751  
Force™ Nozzle  
Manufactured Prior to July 2000**

## TECHNICAL SERVICE PARTS LIST



### ASSEMBLY NOTES

- △ Use Loctite 222 or 113 Permabond.
- △ Use Low-Temp Lubriplate
- △ Use Parker O-Ring Lubricant or equivalent petroleum base lubricant.



ITEM NO.	DESCRIPTION	PART NUMBER	QUANTITY
1	Socket Head Cap Screw	7-65-027	1
2	Baffle Head	102204	1
3	Socket Head Cap Screw	7-67-019	2
4	Turbine Retaining Ring	102205	1
5*	Turbine	7-72-024	1
6	Bumper	7-04-039	1
7	Retaining Band	7-04-035	1
8	Pattern Sleeve	102206	1
9	Thread Insert	7-06-153	1
10	Indicating Band	7-03-515	1
11	Sleeve Detent Spring	7-69-163	1
12*	O-Ring	7-57-242	1
13	Discharge Tube	102207	1
14*	O-Ring	7-57-243	1
15	Nozzle Body	102210	1
16	Control Segment	7-06-154	1
17	Cam Roller	7-58-106	1
18	Discharge Control Band GPM	7-03-536	1
19	Key Pin	7-27-017	1
20	Detent Ball	7-04-018	1
21	Detent Spring	7-69-111	1
22	Discharge Control Ring	7-58-121	1
23	Blade	106124	1
24*	O-Ring	7-57-020	1
25	Locking Balls	7-04-030	22
26	Shoulder Screw	7-65-145	2
27*	Button Head Screw	7-63-061	4
28	Link	101858	2
29	Shutoff Body	109430	1
30	Pin	109086	2
31	O-Ring	7-57-293	1
32	Band	7-03-374	3
33*	Socket Head Set Screw	7-65-022	1
34	Swivel** NH	116248	1
34	Swivel** BSP	116249	1
35*	Swivel Gasket	7-17-047	1
36	Trigger	115419	1
37	Spring Holder	101857	1
38	Spring	7-69-383	1
39*	O-Ring	7-57-274	2
40	Sleeve	101859	1
41*	O-Ring	7-57-275	3
42	Piston	101860	1
43	Band I.D.	7-03-392	1
44	Swivel Adapter	116247	1
45	O-Ring	7-57-064	1
46	Ball Bearings	7-04-018	23
47	Set Screw	7-65-134	1
Not Shown	Lock Open Latch	107713	1
Not Shown	Washer For Lock Open Latch	7-68-276	1
Not Shown	Roll Pins For Lock Open Latch	7-04-049	2
Not Shown	Screws For Lock Open Latch	7-65-197	2
Not Shown	Rear Bumper	7-04-337	1
Not Shown	Rear Bumper Screws	7-65-028	2

\*Indicates parts included in Repair Kit #9115. \*\*For other threads order by description and thread size (ODM and TPI).



WARRANTY AND DISCLAIMER: We warrant Akron Brass products for a period of five (5) years after purchase against defects in materials or workmanship. Akron Brass will repair or replace product which fails to satisfy this warranty. Repair or replacement shall be at the discretion of Akron Brass. Products must be promptly returned to Akron Brass for warranty service. We will not be responsible for: wear and tear; any improper installation, use, maintenance or storage; negligence of the owner or user; repair or modification after delivery; damage; failure to follow our instructions or recommendations; or anything else beyond our control. WE MAKE NO WARRANTIES, EXPRESS OR IMPLIED, OTHER THAN THOSE INCLUDED IN THIS WARRANTY STATEMENT, AND WE DISCLAIM ANY IMPLIED WARRANTY OF MERCHANTABILITY OR FITNESS FOR ANY PARTICULAR PURPOSE. Further, we will not be responsible for any consequential, incidental or indirect damages (including, but not limited to, any loss of profits) from any cause whatsoever. No person has authority to change this warranty.