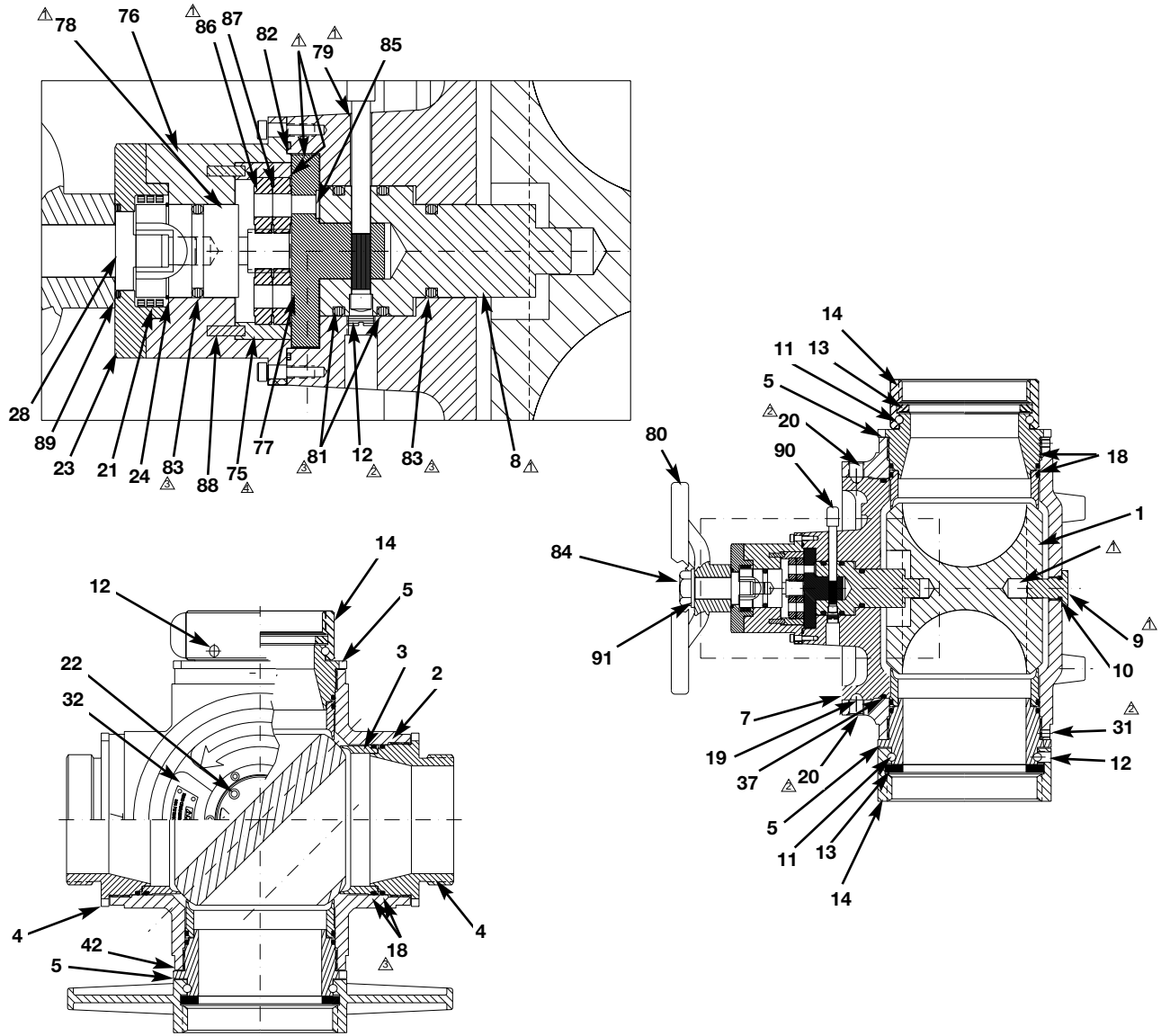
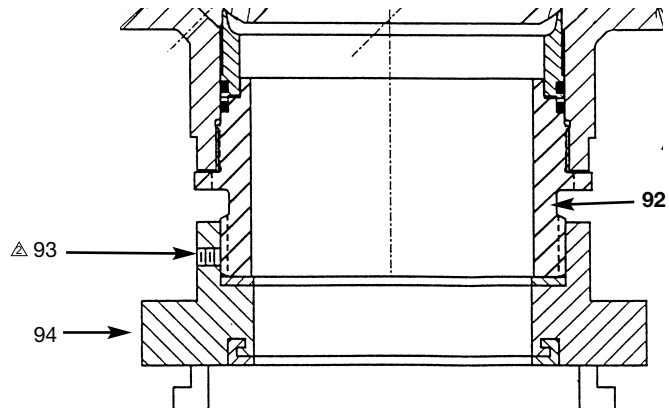


TECHNICAL SERVICE PARTS LIST



Assembly Notes

- △ Use Low-Temp Lubriplate
- △ Use Permabond LM113 or Loctite 222
- △ Use Parker-O-Lube or equivalent petroleum based lubricant
- △ Use Permabond HH-120 or Loctite 277





STYLE 627 4-Way Hydrant Valve TECHNICAL SERVICE PARTS LIST

ITEM NO.	DESCRIPTION	PART NUMBER	QUANTITY
1	Ball	115332	1
2	Body	115299	1
3	Seat	115919	4
4	Male 2.5" NH §	115335	‡
4	Male 4" NH §	115333	‡
4	Male 4.5" NH §	115376	‡
4	Male 5" NH §	118470	‡
4A	Male Adapter 2.5" BSP (for Storz)	118767	‡
4A	Male Adapter 4" BSP (for Storz)	115334	‡
4A	Male Adapter 5" BSP (for Storz)	115928	‡
4A	Male Adapter 6" BSP (for Storz)	118484	‡
5	Swivel Adapter 2.5"	115329	‡
5	Swivel Adapter 4"	115331	‡
5	Swivel Adapter 4.5"	115301	‡
5	Swivel Adapter 5"	117805	‡
5	Swivel Adapter 6"	118481	‡
7	Cover	116481	1
8	Top Trunnion	116484	1
9	Threaded Trunnion	101769	1
10	O-Ring	7-57-217	1
11	Ball Bearing	*	As Required
12	Swivel Plug	7-42-023	3
13	Swivel Gasket 2.5"	7-17-043	‡
13	Swivel Gasket 4"	7-14-024	‡
13	Swivel Gasket 4.5"	7-14-025	‡
13	Swivel Gasket 5"	7-14-026	‡
13	Swivel Gasket 6"	7-14-028	‡
14	Rocker Lug Swivel 2.5 NH§	101420	‡
14	Rocker Lug Swivel 4" NH§	104015	‡
14	Long Handle Swivel 4" NH§	104049	‡
14	Long Handle Swivel 4.5" NH§	104050	‡
14	Rocker Lug Swivel 5" NH§	104017	‡
14	Long Handle Swivel 5" NH§	104051	‡
14	Long Handle Swivel 6" NH§	104053	‡
15	Gasket	7-14-024	2
16	Rocker Lug Swivel 4" NH§	104015	‡
16	Rocker Lug Swivel 4.5" NH§	104016	‡
16	Rocker Lug Swivel 2.5" NH§	101420	‡
18	O-Ring	7-57-078	8
19	Ball Bearings	**	58
20	Socket Head Set Screw	7-65-139	2
21	Tork-Lok Spring	7-68-210	1

ITEM NO.	DESCRIPTION	PART NUMBER	QUANTITY
22	Socket Head Cap Screw	7-65-028	4
23	Retaining Plate	7-42-089	1
24	Retaining Ring	7-58-154	1
28	Handle Trunnion	102178	1
31	Allen Head Screw	7-65-166	4
32	Caution Plate - 75 psi differential	7-44-382	1
32	Caution Plate - 300 psi differential	7-44-381	1
37	O-Ring	7-57-343	1
40	Nail Grip	7-36-045	8
42	ID Band	7-03-502	1
75	Internal Gear	†	1
76	Housing Gear	†	1
77	Carrier	†	1
78	Trunnion Gear	7-73-306	1
79	Indicator Pin	7-41-068	1
80	Handwheel	117239	1
81	O-Ring	7-57-006	2
82	O-Ring	7-57-263	1
83	O-Ring	7-57-010	2
84	Hex Head Screw	7-65-209	1
85	Rivet	†	3
86	Spur Gear	†	6
87	Socket Head Cap Screw	†	6
88	Roll Pin	†	4
89	O-Ring	7-57-284	1
90	Cap Plug	7-07-399	1
91	Washer	7-84-133	1
93	4" Storz Head	107070	As Req.
93	5" Storz Head	107071	As Req.
94	Set Screw (for Storz)	7-65-002	As Req.
Not Shown	ID Band (To Pump)	7-03-499	1
Not Shown	ID Band (From Pump)	7-03-501	1
Not Shown	ID Band (To Fire)	7-03-503	1
Not Shown	ID Band (Hydrant)	7-03-502	1
Not Shown	ID Band (Suction)	7-03-497	1
Not Shown	ID Band (Bypass)	7-03-498	1
Not Shown	ID Band (Fire Line)	7-03-500	1
Not Shown	ID Band (Inlet)	7-03-525	1
Not Shown	ID Band (Discharge)	7-03-526	1
Not Shown	ID Band (Supply Line)	7-03-524	1

*Packet of 50 Ball Bearings - P/N 109041

**Packet of 50 Ball Bearings - P/N 109342

†For repair of these component parts, please return the unit to Akron Brass for service.

‡ Quantity depends on configuration

§ For other threads, order by description and tread size (OPM and TPI) or by Tread Code.



ISO 9001 REGISTERED COMPANY

PHONE: 330.264.5678 or 800.228.1161 | FAX: 330.264.2944 or 800.531.7335 | www.akronbrass.com

Available in Canada through AKRON MANUFACTURING COMPANY

PHONE: 519.773.8431 | FAX: 519.773.3794

REVISED 2/05

WARRANTY AND DISCLAIMER: We warrant Akron Brass products for a period of five (5) years after purchase against defects in materials or workmanship. Akron Brass will repair or replace product which fails to satisfy this warranty. Repair or replacement shall be at the discretion of Akron Brass. Products must be promptly returned to Akron Brass for warranty service.

We will not be responsible for: wear and tear; any improper installation, use, maintenance or storage; negligence of the owner or user; repair or modification after delivery; damage; failure to follow our instructions or recommendations; or anything else beyond our control. WE MAKE NO WARRANTIES, EXPRESS OR IMPLIED, OTHER THAN THOSE INCLUDED IN THIS WARRANTY STATEMENT, AND WE DISCLAIM ANY IMPLIED WARRANTY OF MERCHANTABILITY OR FITNESS FOR ANY PARTICULAR PURPOSE. Further, we will not be responsible for any consequential, incidental or indirect damages (including, but not limited to, any loss of profits) from any cause whatsoever. No person has authority to change this warranty.

© Premier Farnell Corporation. 2000 All rights reserved. No portion of this can be reproduced without the express written consent of Premier Farnell Corporation.

A Premier Farnell Company