



STYLE 3676 CONQUEST HYDRAULIC MONITOR INSTALLATION, OPERATING AND MAINTENANCE INSTRUCTIONS

The following is intended to provide the basic instructions for installation, operating and maintenance of the Conquest Hydraulic Monitor.

PRODUCT RATINGS

Monitor:

Maximum Flow: 2000 GPM (7600 lpm)

Maximum Pressure: 200 PSI (14 bar)

Mass: 155 lbs. (71 kg)

Hydraulics:

Maximum Hydraulic Fluid Pressure: 1000 psi

Maximum Hydraulic Fluid Flow: 1.0 US GPM

Recommended Hydraulic Fluid:

Temperatures from +10° F to +140° F (-12°C to +60°C)- SAE 10W30 or equivalent

Temperatures from -40° F to +140° F (-40°C to +60°C) Amsoil ATF or Dextron III ATF or Equivalent

Hydraulic Motor Connections

(4) 9/16"–18 O-Ring, female

PRODUCT WARNINGS

- WARNING:** The maximum flow of the Conquest Hydraulic Monitor is 2000 GPM. The center of the waterway outlet is 15.5 inches from the bottom of the inlet. Ensure these values and an appropriate safety factor is used to determine a proper support structure.
- WARNING:** Aim the Conquest Hydraulic Monitor in a safe direction before pumping water through it.
- WARNING:** If any tags or bands are worn or damaged and cannot be easily read, they should be replaced.
- WARNING:** Disconnect hydraulic power and disable flow before maintenance.
- WARNING:** Keep all personnel out from the front of the outlet of the monitor when the water source is attached. Dangerous flow velocities can cause serious injury.
- WARNING:** The Conquest Hydraulic Monitor contains moving parts. Keep hands, fingers and loose clothing clear.
- WARNING:** Exceeding the maximum water pressure and flow of the monitor or nozzle (if equipped) may cause damage.
- WARNING:** Exceeding the maximum hydraulic pressure and flow of the monitor or (if equipped) nozzle may cause damage.

WARRANTY AND DISCLAIMER

We warrant Akron Brass products for a period of one (5) years after purchase against defects in materials or workmanship. Akron Brass will repair or replace product, which fails to satisfy this warranty. Repair or replacement shall be at the discretion of Akron Brass. Products must be promptly returned to Akron Brass for warranty service. We will not be responsible for: wear and tear, any improper installation, use, maintenance or storage; negligence of the owner or user; repair or modification after delivery; failure to follow our instructions or recommendations; or anything else beyond our control. WE MAKE NO WARRANTIES, EXPRESS OR IMPLIED, OTHER THAN THOSE INCLUDED IN THIS WARRANTY STATEMENT, AND WE DISCLAIM ANY IMPLIED WARRANTY OF MERCHANTABILITY OR FITNESS FOR ANY PARTICULAR PURPOSE. Further, we will not be responsible for any consequential, incidental or indirect damages (including, but not limited to, any loss of profits) from any cause whatsoever. No person has authority to change this warranty.

GENERAL INSTRUCTIONS

- Review the instructions, hydraulic requirements, component layout and rotational stops diagram before installing this unit.
- For use with water or standard fire fighting foams only. After use with foam, flush with fresh water.
- Drain the Conquest Hydraulic Monitor and nozzle after use to prevent “freeze damage” in cold weather.
- Ensure that the thread in the nozzle swivel matches the thread on the Conquest Hydraulic Monitor outlet. Do not over tighten the nozzle onto the Conquest Hydraulic Monitor.
- The Conquest Hydraulic Monitor, nozzle, and field adjustable rotation stops are made for optimal performance. Do not alter in any manner.
- Do not install shutoffs on the outlet of the Conquest Hydraulic Monitor.
- The Monitor is to be mounted on the waterway with a 4.0 “, 150# flange.

THE ROTATIONAL AND ELEVATION STOPS SET THE BOUNDARIES FOR THE AREA IN WHICH THE MONITOR IS ALLOWED TO TRAVEL. The monitor is shipped with rotation stops at 170° right, and at 170° left. All other positions are achieved by switching the factory set stop and the plug in the desired stop location. Both the stops and the plugs have a 1/2-inch hex head. Refer to Page 5 to determine which stop location is needed for the desired rotation. The elevation stop sets the upper limit of the elevation. The monitor is shipped with elevation stops at 90° above horizontal and 90° below horizontal. All other vertical positions are achieved by switching stops to the desired locations as indicated.

MAINTENANCE INSTRUCTIONS

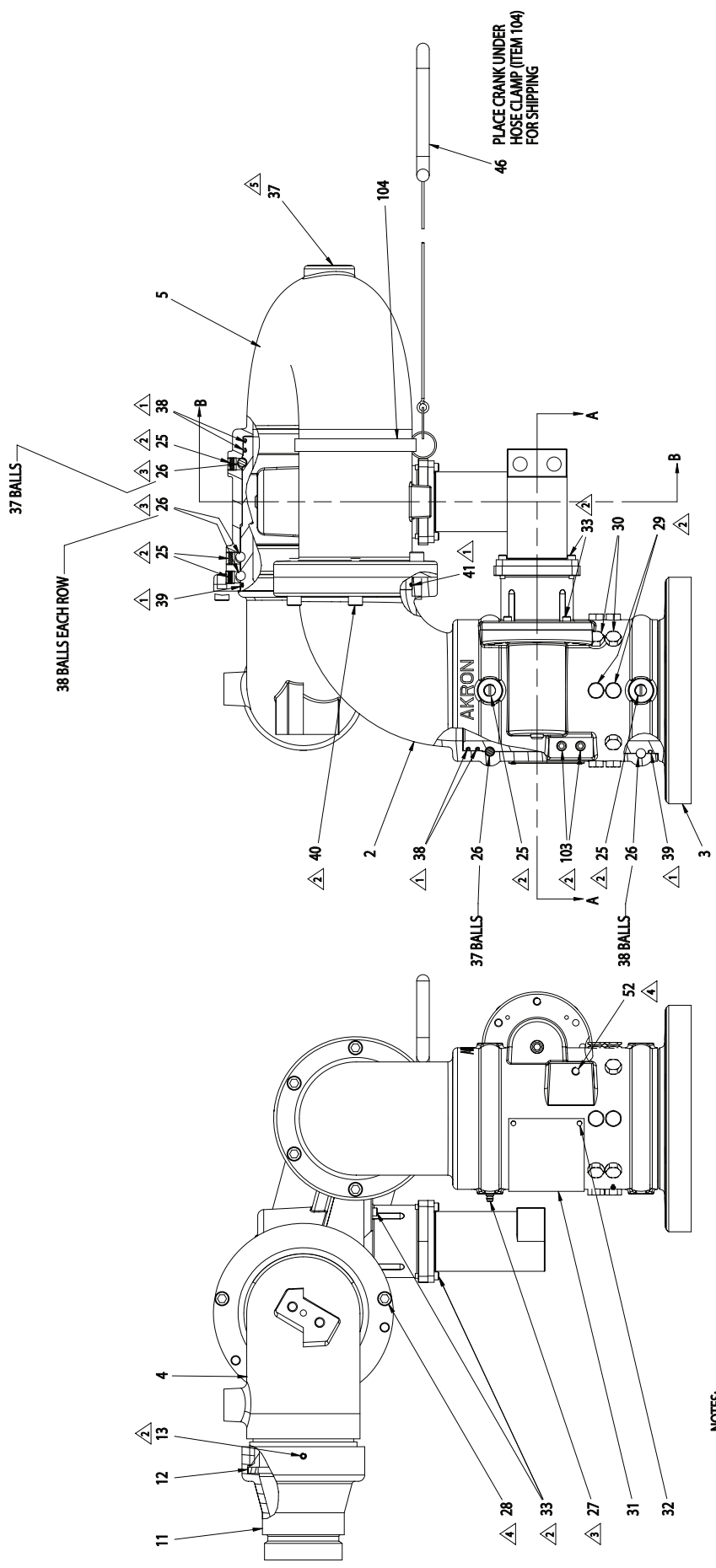
Your Severe Duty monitor and nozzle should be inspected prior to and after each use, to ensure it is in good operating condition. The monitor joints were greased and sealed at assembly, there is no greasing to be done while in use.

SITUATIONS THAT MAY CAUSE IRRERPAIRABLE DAMAGE

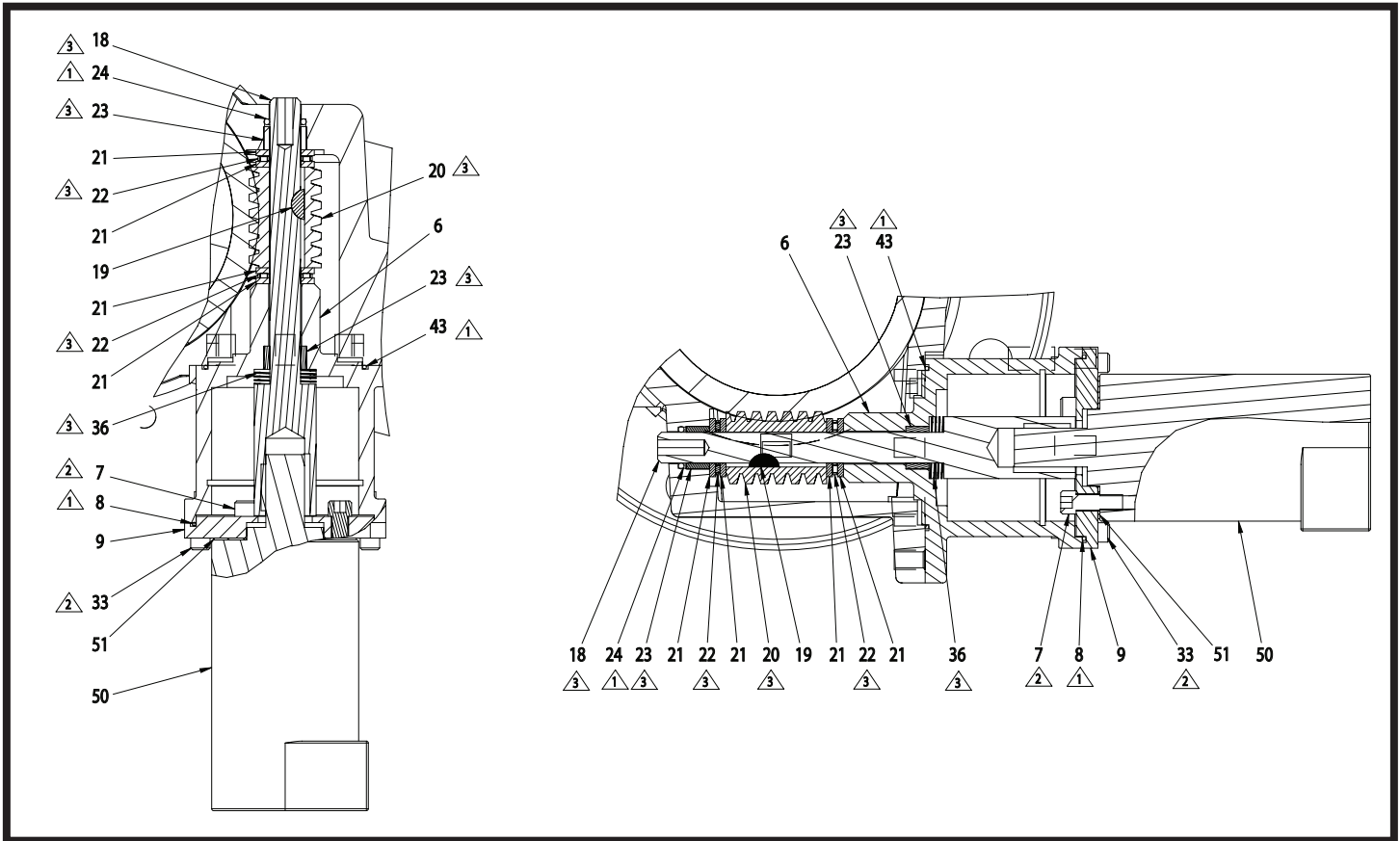
- Operating above maximum rated water pressure and flow.
 - Operating above the maximum rated hydraulic pressure and flow.
 - Not draining, and allowing water to freeze inside.
 - Prolonged exposure to temperatures above 130°F (54°C), or below -25°F (- 32°C).
 - Having the nozzle hit a fixed object during operating or transportation.
- Also there are many “tell tale” signs that indicate repair is in order, such as:
- Controls that are either inoperable or difficult to operate.
 - Excessive wear.
 - Poor discharge performance.
 - Water leaks.

If any of the above situations are encountered, the Severe Duty should be taken out of service, repaired, and tested by a qualified technician before placing it back in service.

Call Akron Brass Customer Service Department if any problems are encountered.



- NOTES:**
- ① USE PARKER O-LUBE AT ASSEMBLY
 - ② USE PERMABOND LM113 OR LOCTITE 222 AT ASSEMBLY
 - ③ USE LOW-TEMP LUBRILATE AT ASSEMBLY
 - ④ USE PERMABOND LM120 OR LOCTITE 277 AT ASSEMBLY
 - ⑤ USE PERMABOND LH050 AT ASSEMBLY
 - ⑥ USE LOCTITE 290 AT ASSEMBLY



ITEM NO.	DESCRIPTION	PART NUMBER	QUANTITY
2	ELBOW INLET	118673	1
3	ADAPTER BASE	115712	1
4	ELBOW OUTLET	118675	1
5	ELBOW MIDDLE	118674	1
6	HOUSING GEAR	120078	2
7	SCREW SOC HD CAP	765233	10
8	O-RING	757292	2
9	PLATE MOTOR ADPTER	742176	2
18	SHAFT OUTPUT	770326	2
19	KEY WOODRUFF ST STL	727025	2
20	GEAR WORM	718166	2
21	WASHER THRUST	784121	8
22	BEARING NEEDLE	703453	4
23	BEARING ROLLER NEEDLE	704395	4
24	O-RING	757313	2
25	SWIVEL PLUG	742112	10
26	BALL BRASS	704020	188
27	FITTING GREASE	713191	2

ITEM NO.	DESCRIPTION	PART NUMBER	QUANTITY
28	SCREW SOC HD ST STL	765067	2
29	STOP	769498	4
30	PLUG	744337	13
31	TAG ID HYD CONQUEST STSTL 3676	773403	1
32	NAIL GRIP	736052	4
33	SCREW SOC HD CAP ST STL	767086	16
36	SPRING	769592	2
37	PLUG PIPE	744286	1
38	O-RING	757076	4
39	O-RING	757077	2
40	SCREW SOC HD CAP	765120	6
41	O-RING	757080	1
43	O-RING	757063	2
46	CRANK OVERRIDE S/A W/LANYARD	36780125	1
50	MOTOR HYDRAULIC	731094	2
51	GASKET	718241	2
52	SCREW SOC HD SET	765071	1
103	SCREW SET CUP PT ST STL	765187	2
104	CLAMP HOSE	707400	1



PHONE: 330.264.5678 or 800.228.1161 | FAX: 330.264.2944 or 800.531.7335 | www.akronbrass.com

REVISED: 7/09

WARRANTY AND DISCLAIMER: We warrant Akron Brass products for a period of five (5) years after purchase against defects in materials or workmanship. Akron Brass will repair or replace product which fails to satisfy this warranty. Repair or replacement shall be at the discretion of Akron Brass. Products must be promptly returned to Akron Brass for warranty service.

We will not be responsible for: wear and tear; any improper installation, use, maintenance or storage; negligence of the owner or user; repair or modification after delivery; damage, failure to follow our instructions or recommendations; or anything else beyond our control. WE MAKE NO WARRANTIES, EXPRESS OR IMPLIED, OTHER THAN THOSE INCLUDED IN THIS WARRANTY STATEMENT, AND WE DISCLAIM ANY IMPLIED WARRANTY OF MERCHANTABILITY OR FITNESS FOR ANY PARTICULAR PURPOSE. Further, we will not be responsible for any consequential, incidental or indirect damages (including, but not limited to, any loss of profits) from any cause whatsoever. No person has authority to change this warranty.

© Premier Farnell Corporation. 2000 All rights reserved. No portion of this can be reproduced without the express written consent of Premier Farnell Corporation.

A Premier Farnell Company