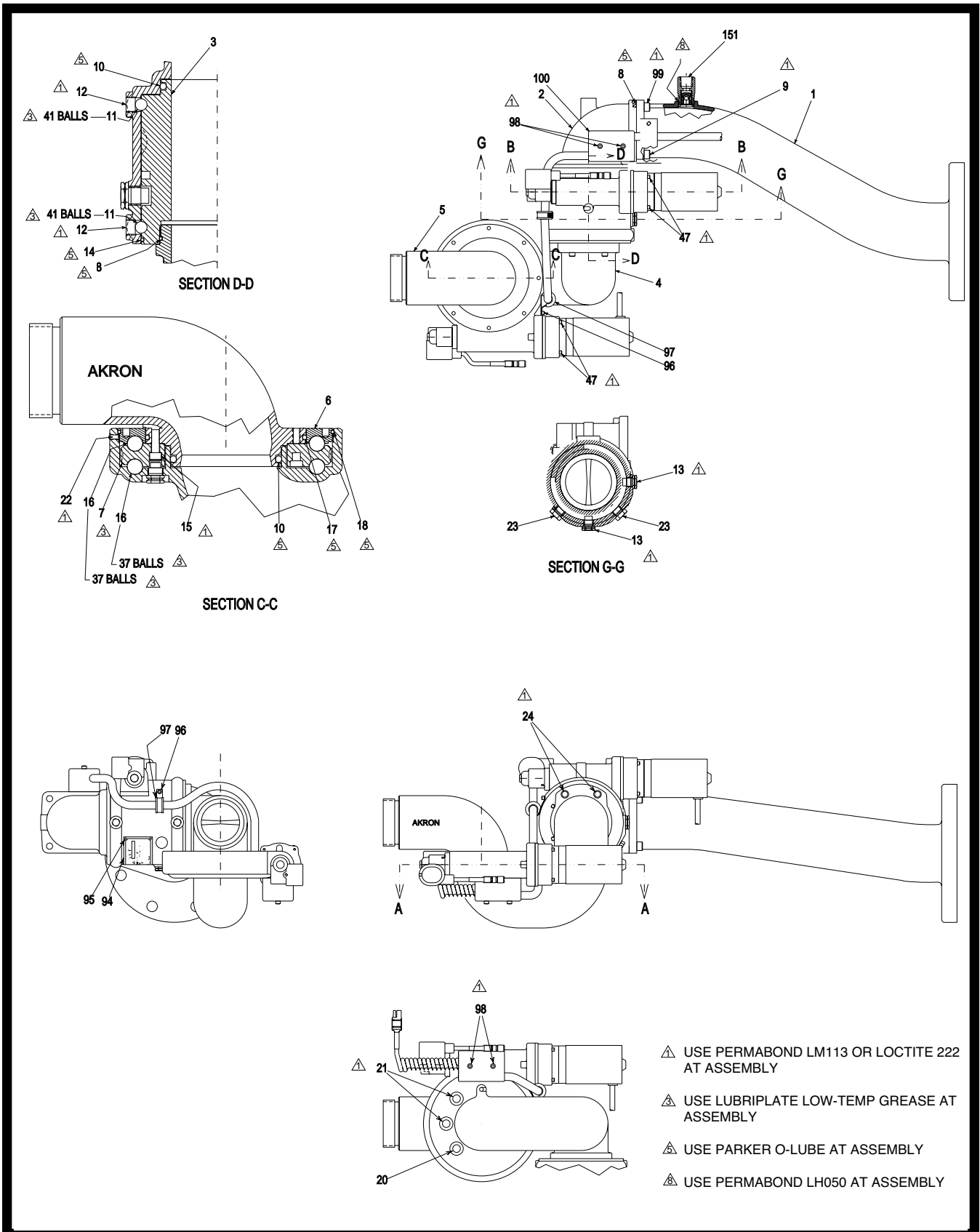
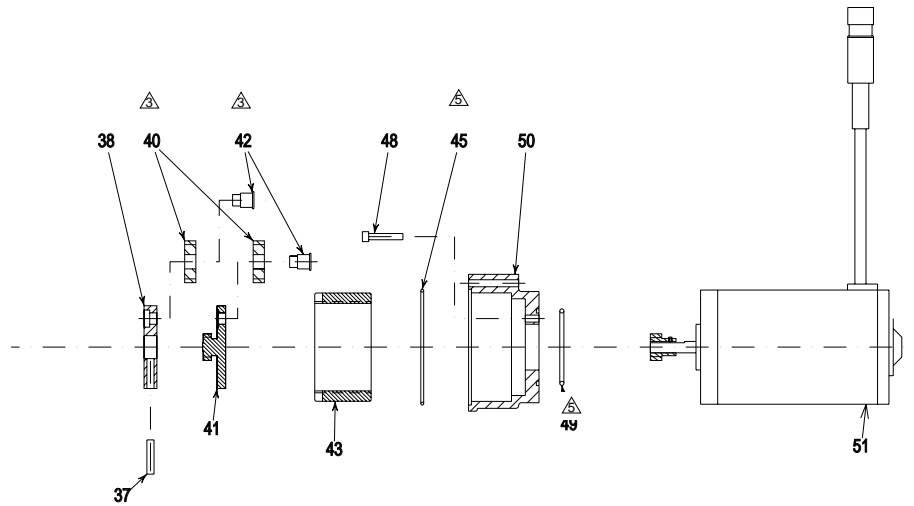
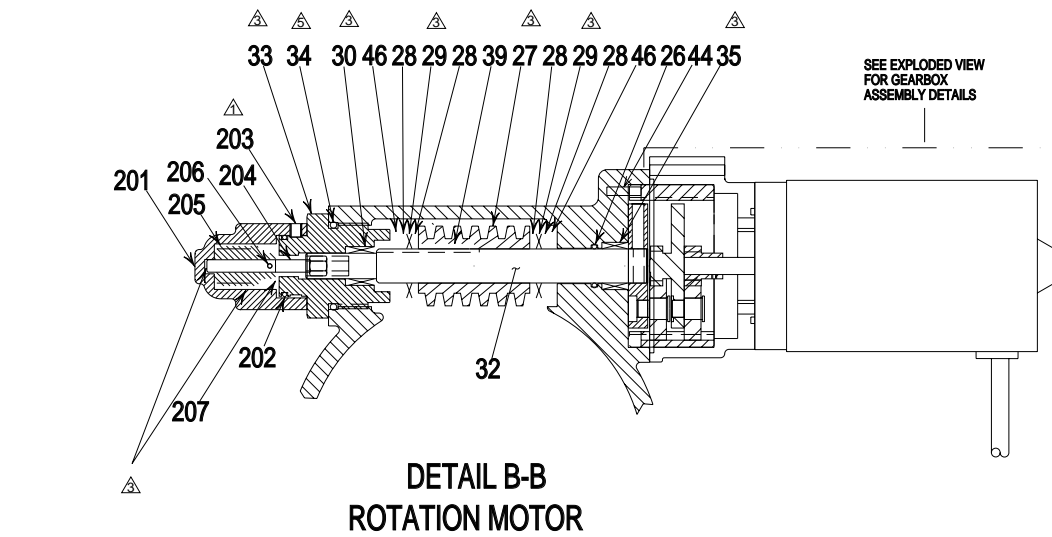
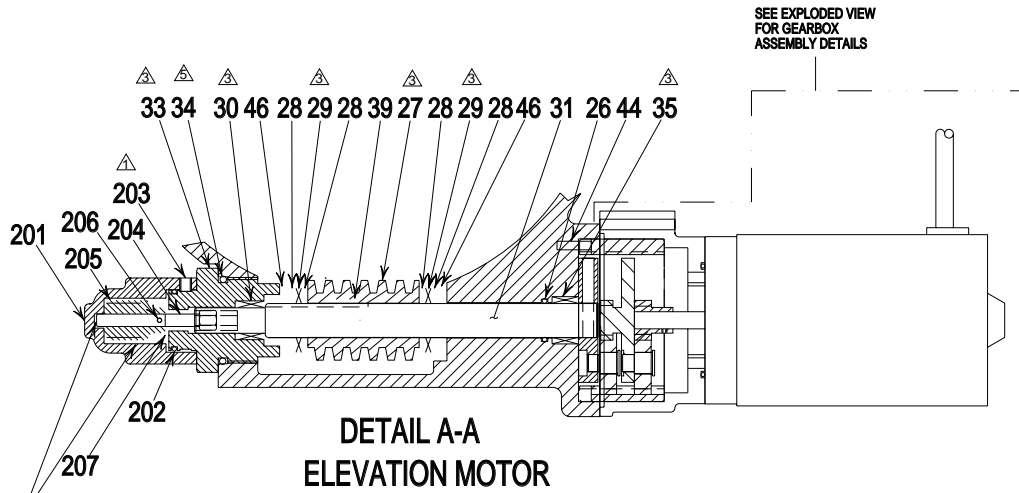


TECHNICAL SERVICE PARTS



TECHNICAL SERVICE PARTS





STYLE 3353
TuckAway with Sensors
TECHNICAL SERVICE PARTS LIST

ITEM NO.	DESCRIPTION	PART NUMBER	QUANTITY
1	PIPE	118586	1
2	ELBOW INLET	118465	1
3	SLEEVE	117694	1
4	ELBOW MIDDLE	117698	1
5	ELBOW OUTLET	117695	1
6	RING	117690	1
7	GEAR OUTLET	117689	1
8	O-RING	757327	2
9	SCREW	767047	1
10	O-RING	757365	2
11	BALL	704020	82
12	PLUG	742112	4
13	STOP	769596	2
14	O-RING	757326	1
15	SCREW	765030	5
16	BALL	703383	74
17	O-RING	757075	1
18	O-RING	757366	1
20	PLUG	744337	1
21	STOP	769498	2
22	SCREW	765225	1
23	PLUG	744397	2
24	SCREW	767003	2
26	O-RING	757041	2
27	GEAR	718166	2
28	WASHER	784121	8
29	BEARING	703453	4
30	BEARING	704393	2
31	SHAFT	769630	1
32	SHAFT	769631	1
33	CAP	118487	2
34	O-RING	757329	2
35	BEARING	704395	2
37	PIN	741056	2
38	CARRIER PLATE	707325	2
39	KEY	727044	2
40	GEAR	718165	12
41	PLATE	742119	2
42	RIVET	754052	12
43	GEAR	718164	2
44	PIN	744288	4
45	O-RING	757312	2
46	SPRING	769276	8
47	SCREW	767132	8
48	SCREW	765052	8
49	O-RING	757056	2
50	HOUSING	109320	2
51	MOTOR 12 VOLT	35780011	2
94	TAG	773330	1
95	NAIL	736052	4
96	SCREW	765155	2
97	CLAMP	707367	2
98	SCREW	767126	4
99	SCREW	765154	3
100	WIRING HARNESS	721364	1
151	AUTO DRAIN	34670001	1
201	SENSOR	33520003	2
202	O-RING	757042	2
203	SCREW	765042	4
204	SHAFT	769641	2
205	WORM	785021	2
206	PIN ROLL	744341	2
207	WASHER	784072	2



STYLE 3353
TuckAway with Sensors
TECHNICAL SERVICE PARTS LIST



ISO 9001 REGISTERED COMPANY

PHONE: 330.264.5678 or 800.228.1161 | FAX: 330.264.2944 or 800.531.7335 | www.akronbrass.com
Available in Canada through AKRON MANUFACTURING COMPANY
PHONE: 519.773.8431 | FAX: 519.773.3794

REVISED 3/06

WARRANTY AND DISCLAIMER: We warrant Akron Brass products for a period of five (5) years after purchase against defects in materials or workmanship. Akron Brass will repair or replace product which fails to satisfy this warranty. Repair or replacement shall be at the discretion of Akron Brass. Products must be promptly returned to Akron Brass for warranty service.

We will not be responsible for: wear and tear; any improper installation, use, maintenance or storage; negligence of the owner or user; repair or modification after delivery; damage; failure to follow our instructions or recommendations; or anything else beyond our control. WE MAKE NO WARRANTIES, EXPRESS OR IMPLIED, OTHER THAN THOSE INCLUDED IN THIS WARRANTY STATEMENT, AND WE DISCLAIM ANY IMPLIED WARRANTY OF MERCHANTABILITY OR FITNESS FOR ANY PARTICULAR PURPOSE. Further, we will not be responsible for any consequential, incidental or indirect damages (including, but not limited to, any loss of profits) from any cause whatsoever. No person has authority to change this warranty.

© Premier Farnell Corporation. 2000 All rights reserved. No portion of this can be reproduced without the express written consent of Premier Farnell Corporation.

A Premier Farnell Company