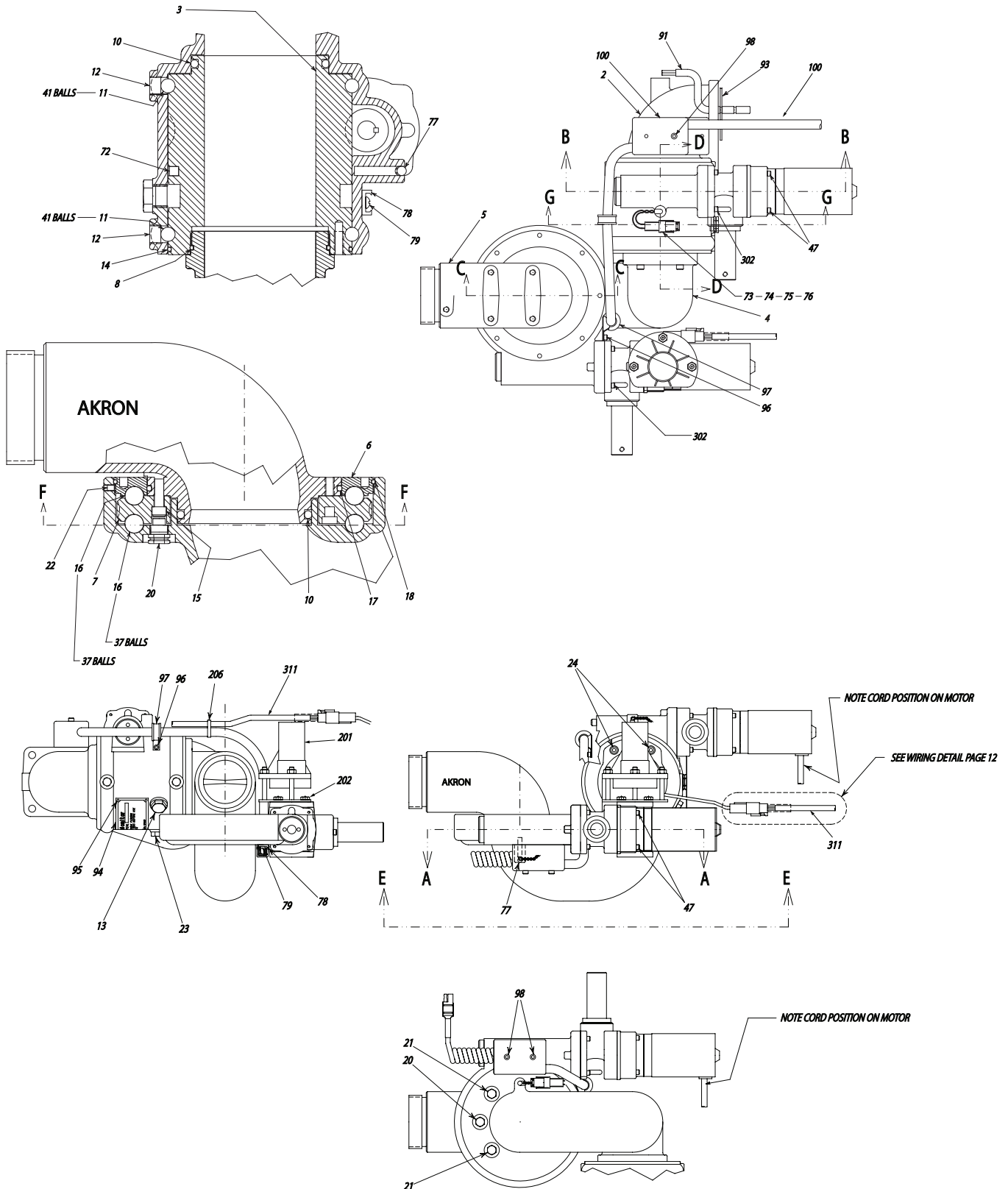
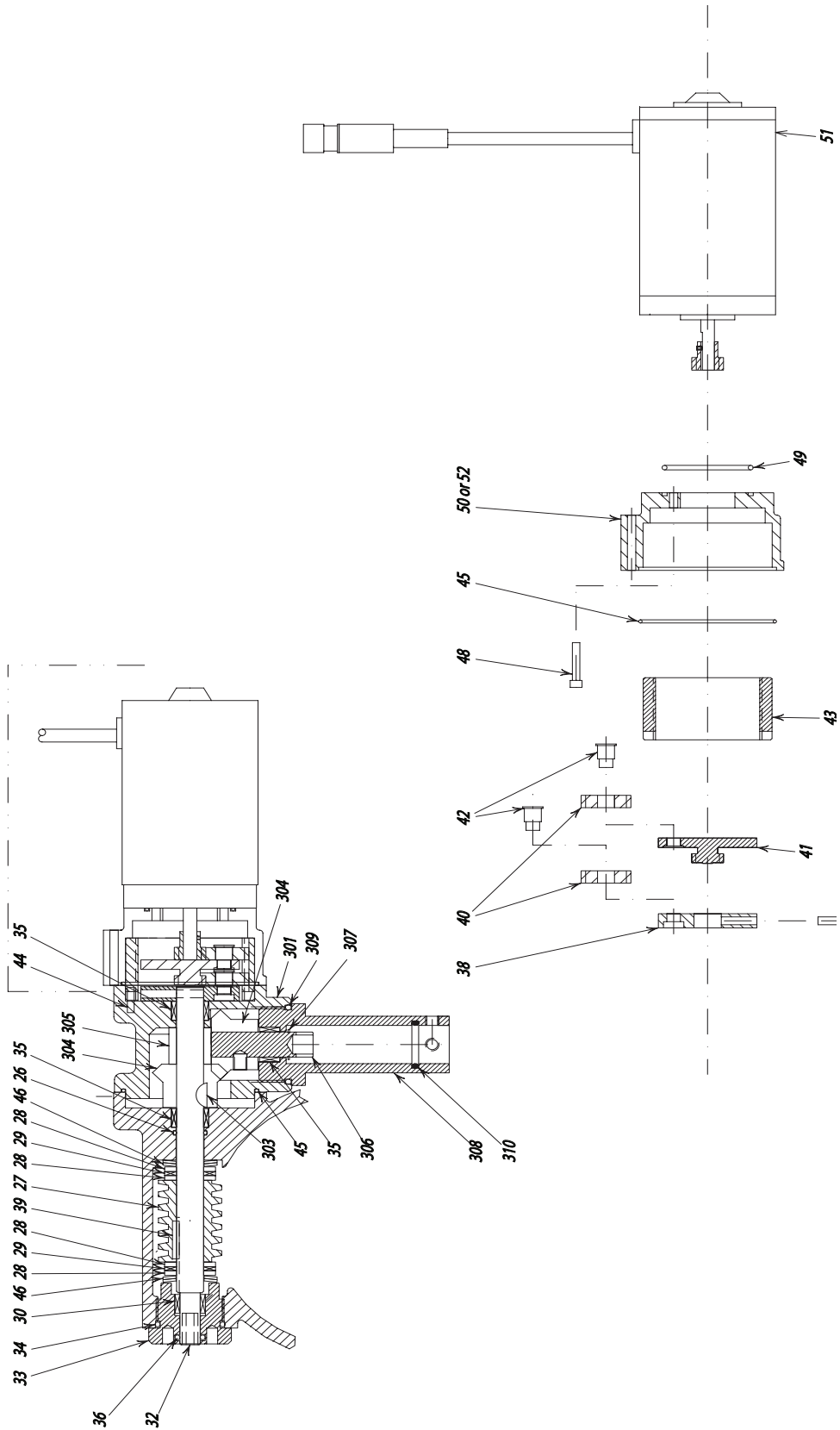


TECHNICAL SERVICE PARTS







**STYLE 3351
TUCKAWAY™ ELECTRIC MONITOR
TECHNICAL SERVICE PARTS LIST**

ITEM NO.	DESCRIPTION	PART NUMBER	QUANTITY
2	INLET ELBOW	118091	1
3	INNER SLEEVE	118096	1
4	MIDDLE ELBOW	117698	1
5	OUTLET ELBOW	121107	1
6	BALL RETAINING RING	117690	1
7	OUTLET GEAR	117689	1
8	O-RING	757327	1
10	O-RING	757365	2
11	BRASS BALL	704020	82
12	PLUG	742112	4
13	VERTICAL STOP	769596	2
14	O-RING	757326	1
15	SOCKET HEAD SET SCREW 1/4 -20 X 3/4"ST STL	765030	5
16	BRASS BALL	703383	74
17	O-RING	757075	1
18	O-RING	757366	1
20	PLUG	744337	2
21	ROTATION STOP	769498	1
22	SOCKET HEAD SET SCREW HALF DOG 8-32X3/16SS	765225	1
23	ELEVATION PLUG	744397	3
24	SOCKET HEAD CAP SCREW 1/4 -20 X 1"ST STL	767003	2
26	O-RING	757041	2
27	WORM GEAR	718273	2
28	THRUST WASHER	784121	8
29	TORRINGTON BEARING	703453	4
30	BEARING 3/8" ID	704393	2
31	ELEVATION SHAFT	769651	1
32	ROTATION SHAFT	769650	1
33	BEARING CAP	117696	2
34	O-RING	757329	2
35	BEARING 1/2 ID	704395	6
36	O-RING	757295	2
37	GROOVE PIN	741056	2
38	OUTPUT CARRIER	707325	2
39	KEY	727044	2
40	PLANETARY GEAR	718165	12
41	CARRIER PLATE	742119	2
42	RIVET	754052	12
43	INTERNAL GEAR	718164	2
44	ROLL PIN	744288	4
45	O-RING	757312	4
46	BELLEVILLE SPRING WASHER	769276	8



**STYLE 3351
TUCKAWAY™ ELECTRIC MONITOR
TECHNICAL SERVICE PARTS LIST**

ITEM NO.	DESCRIPTION	PART NUMBER	QUANTITY
47	SOCKET HEAD CAP SCREW 6-32 X 1 3/8"LG STSTL	767132	8
48	SOCKET HEAD CAP SCREW W/PATCH 6-32X1/2" SS	765052	8
49	O-RING	757056	2
50	GEARBOX HOUSING (ELEVATION)	109320	1
51	MOTOR ASSEMBLY (UNPAINTED)	35781082	2
52	GEARBOX HOUSING (ROTATION)	118092	1
72	MAGNET 1/4D. X 1/4	731081	4
73	MAGNETIC SWITCH	769599	2
74	DEUTSCH CONNECTOR #DTM04-2P	758231	2
75	DEUTSCH PIN CONTACT #460-202-20141	744379	4
76	DEUTSCH WEDGE #WM-2P	784131	2
77	RUBBER BALL 1/4"OD 3350	703544	2
78	DEUTSCH MOUNTING BRACKET #1011-026-0205	704589	2
79	SCREW #8-32X1/4"PHILLIPS PAN HD ST STL	765208	2
91	OVERRIDE HANDLE	721291	1
93	COTTER CLIP	744339	1
94	ID TAG	773327	1
95	NAIL GRIP	736052	4
96	SOCKET HEAD CAP SCREW NYL PATCH 8-32X1/2"ST	765155	2
97	CLAMP 5/8"STEEL SILICONE CUSHION	707499	2
98	SOCKET HEAD CAP SCREW 10-24 X 1 3/4"LG SS	767126	3
100	WIRING HARNESS W/CONNECTOR	721501	1
201	AUTO LEVEL SWITCH	33510011	1
202	SCREW HEX HEAD CAP ST STL 1/4-20 X 1/2"	761050	4
206	TY WRAP 8", BLACK	785024	3
301	OVERRIDE HOUSING	118598	2
302	SOCKET HEAD CAP SCREW 6-32 X 5/8"ST STL	765179	8
303	KEY	727025	2
304	MITER GEAR	718185	4
305	COLLAR	707433	2
306	STUB SHAFT	769649	2
307	RETAINING RING	758192	2
308	OVERRIDE ADAPTER	118599	2
309	O-RING	757311	2
310	O-RING	757113	2
311	HARNESS (AUTO LEVEL SWITCH	721503	1



PHONE: 330.264.5678 or 800.228.1161 | FAX: 330.264.2944 or 800.531.7335 | www.akronbrass.com

REVISED: 7/09

WARRANTY AND DISCLAIMER: We warrant Akron Brass products for a period of five (5) years after purchase against defects in materials or workmanship. Akron Brass will repair or replace product which fails to satisfy this warranty. Repair or replacement shall be at the discretion of Akron Brass. Products must be promptly returned to Akron Brass for warranty service.

We will not be responsible for: wear and tear; any improper installation, use, maintenance or storage; negligence of the owner or user; repair or modification after delivery; damage, failure to follow our instructions or recommendations; or anything else beyond our control. WE MAKE NO WARRANTIES, EXPRESS OR IMPLIED, OTHER THAN THOSE INCLUDED IN THIS WARRANTY STATEMENT, AND WE DISCLAIM ANY IMPLIED WARRANTY OF MERCHANTABILITY OR FITNESS FOR ANY PARTICULAR PURPOSE. Further, we will not be responsible for any consequential, incidental or indirect damages (including, but not limited to, any loss of profits) from any cause whatsoever. No person has authority to change this warranty.

© Premier Farnell Corporation. 2000 All rights reserved. No portion of this can be reproduced without the express written consent of Premier Farnell Corporation.

A Premier Farnell Company