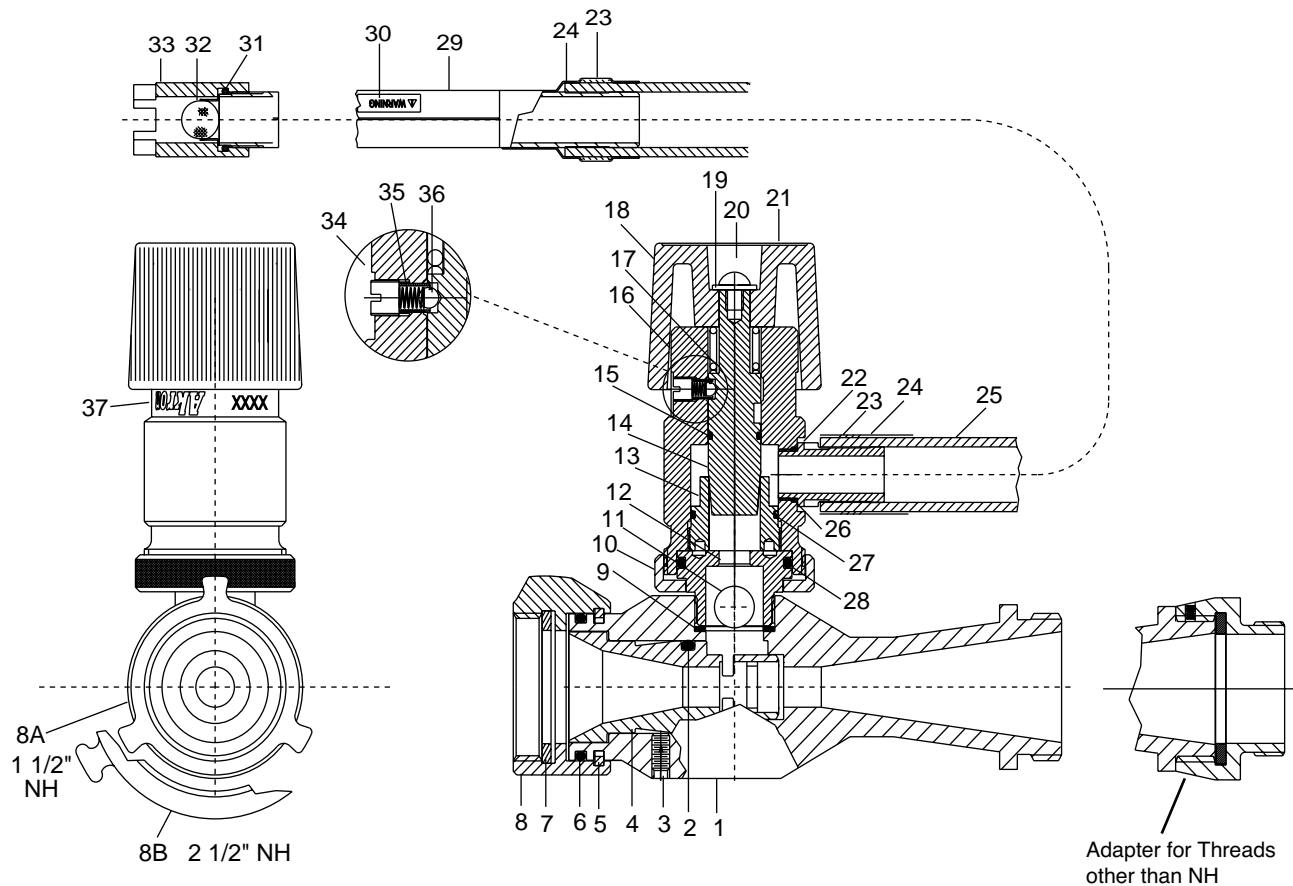


**NOTE: This product model is no longer in production. For service and repair, please contact Akron's Customer Service at 800.228.1161 or 330.264.5678.**

**STYLE 3070, 3071, 3072  
Brass In-Line Eductor  
(Built After April 2000)**

## TECHNICAL SERVICE PARTS LIST





**STYLE 3070, 3071, 3072  
Brass In-Line Eductor  
(Built After April 2000)  
TECHNICAL SERVICE PARTS LIST**

ITEM NO.	DESCRIPTION	PART NUMBER	3070	3071	3072
1	Eductor Body - 60 GPM	7-04-627	1	-	-
1	Eductor Body - 95 GPM	7-04-628	-	1	-
1	Eductor Body - 125 GPM	7-04-629	-	-	1
2	O-Ring	7-57-010	1	1	1
3	Screw	7-65-008	1	1	1
4	Blending Tube - 60 GPM	7-72-155	1	-	-
4	Blending Tube - 95 GPM	7-72-156	-	1	-
4	Blending Tube - 125 GPM	7-72-157	-	-	1
5	Piston Ring	7-56-003	1	1	1
6	O-Ring	7-57-267	1	1	1
7	1 1/2" Gasket (As Req)	7-17-042	1	1	1
7	2 1/2" Gasket (As Req)	7-17-043	1	1	1
8A	1 1/2" Swivel (As Req) NH**	102251	1	1	1
8B	2 1/2" Swivel (As Req) NH**	105613	1	1	1
9	Gasket	7-16-027	1	1	1
10	Swivel Ring	104942	1	1	1
11	Check Ball	7-03-159	1	1	1
12	Ball Retainer	7-56-117	1	1	1
13	Seat	7-69-608	1	1	1
14	Spool - 60 GPM	7-69-618	1	-	-
14	Spool - 95 GPM	7-69-619	-	1	-
14	Spool - 125 GPM	7-69-620	-	-	1
15	O-Ring	7-57-055	1	1	1
16	Metering Head	7-04-630	1	1	1
17	Spring	7-69-437	1	1	1
18	Knob	7-27-042	1	1	1
19	Washer	7-84-064	1	1	1
20	Screw	7-63-067	1	1	1
21	Label - 60 GPM	7-29-221	1	-	-
21	Label - 95 GPM	7-29-220	-	1	-
21	Label - 125 GPM	7-29-219	-	-	1
22	Fitting	7-13-210	1	1	1
23	Clamp	7-07-333	2	2	2
24	Shrink Tube	7-72-163	2	2	2
25	Hose - 30"	104219	1	1	1
25	Hose - 48"	104221	1	1	1
26	O-Ring	7-57-041	1	1	1
27	O-Ring	7-57-345	1	1	1
28	O-Ring	7-57-031	1	1	1
29	Tube	109423	1	1	1
30	Label	7-04-541	1	1	1
31	O-Ring	7-57-009	1	1	1
32	Screen	7-69-521	1	1	1
33	Retainer	109422	1	1	1
34	Screw	7-65-205	1	1	1
35	Spring	7-69-603	1	1	1
36	Ball	7-04-018	1	1	1
37	Band - 60 GPM	7-04-501	1	-	-
37	Band - 95 GPM	7-04-502	-	1	-
37	Band - 125 GPM	7-04-592	-	-	1

\*Threads other than 1-1/2 NH will include permanent adapter on discharge end of eductor.

\*\*For other threads order by description and thread size (ODM and TPI) or Akron Thread Code.



ISO 9001 REGISTERED COMPANY

PHONE: 330.264.5678 or 800.228.1161 | FAX: 330.264.2944 or 800.531.7335 | [www.akronbrass.com](http://www.akronbrass.com)  
Available in Canada through AKRON MANUFACTURING COMPANY  
PHONE: 519.773.8431 | FAX: 519.773.3794

AB-030 (REV. 04/00)

**WARRANTY AND DISCLAIMER:** We warrant Akron Brass products for a period of five (5) years after purchase against defects in materials or workmanship. Akron Brass will repair or replace product which fails to satisfy this warranty. Repair or replacement shall be at the discretion of Akron Brass. Products must be promptly returned to Akron Brass for warranty service. We will not be responsible for: wear and tear; any improper installation, use, maintenance or storage; negligence of the owner or user; repair or modification after delivery; damage; failure to follow our instructions or recommendations; or anything else beyond our control. WE MAKE NO WARRANTIES, EXPRESS OR IMPLIED, OTHER THAN THOSE INCLUDED IN THIS WARRANTY STATEMENT. AND WE DISCLAIM ANY IMPLIED WARRANTY OF MERCHANTABILITY OR FITNESS FOR ANY PARTICULAR PURPOSE. Further, we will not be responsible for any consequential, incidental or indirect damages (including, but not limited to, any loss of profits) from any cause whatsoever. No person has authority to change this warranty.

© Premier Farnell Corporation, 2000 All rights reserved. No portion of this can be reproduced without the express written consent of Premier Farnell Corporation.

**A Premier Farnell Company**