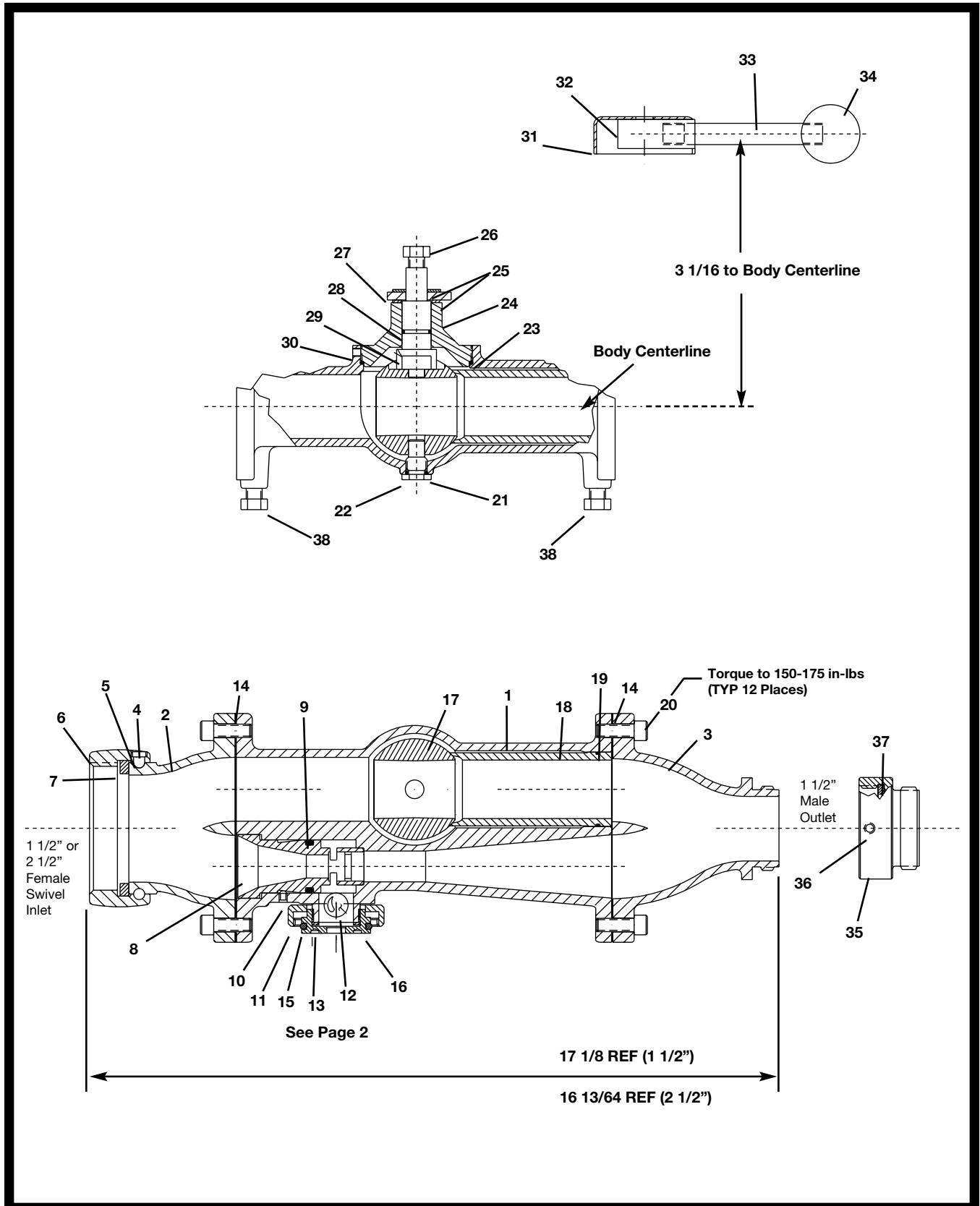


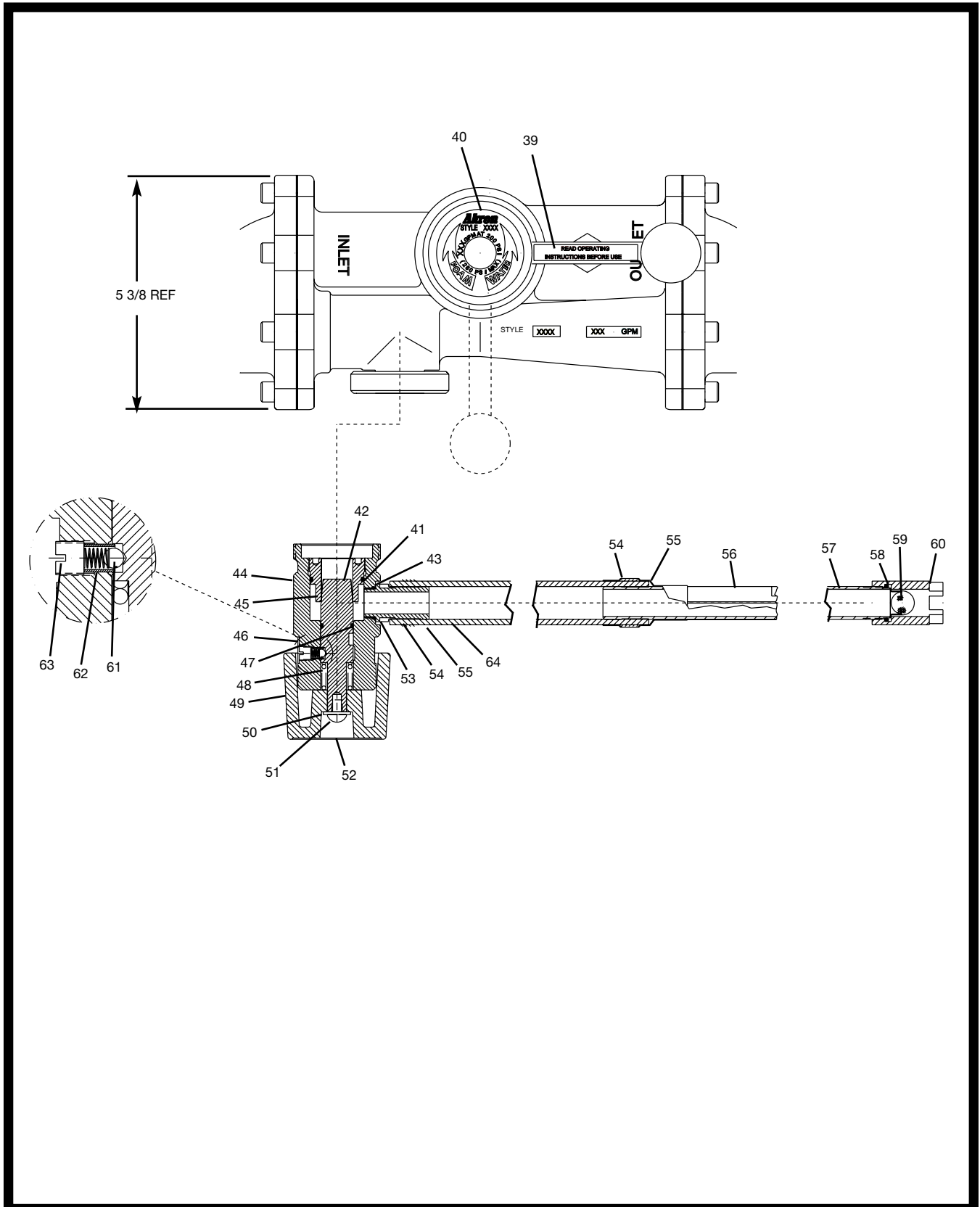
**NOTE: This product model is no longer in production. For service and repair, please contact Akron's Customer Service at 800.228.1161 or 330.264.5678.**

**STYLE 3062, 3097 & 3127  
By-Pass Eductor  
Built After March 1, 2000**

## TECHNICAL SERVICE PARTS LIST



**TECHNICAL SERVICE PARTS LIST**



**TECHNICAL SERVICE PARTS LIST**

ITEM NO.	DESCRIPTION	PART NUMBER	QUANTITY		
			3062	3097	3127
1	Body—60 GPM	107300	1	-	-
1	Body—95 GPM	107301	-	1	-
1	Body—125 GPM	107302	-	-	1
2	Inlet Adapter—1-1/2" (As Req.)	104945	1	1	1
2	Inlet Adapter—2-1/2" (As Req.)	104944	1	1	1
3	Outlet Adapter—1-1/2" NH	104245	1	1	1
4	Swivel Plug	7-42-023	1	1	1
5	Ball Bearings—1-1/2"	**	25	25	25
5	Ball Bearings—2-1/2"	**	39	39	39
6	Swivel—1-1/2" NH* (As Req.)	101292	1	1	1
6	Swivel—1-1/2" NPSH* (As Req.)	101293	1	1	1
6	Swivel—2-1/2 NH* (As Req.)	101343	1	1	1
7	Gasket—1-1/2" (As Req.)	7-17-042	1	1	1
7	Gasket—2-1/2" (As Req.)	7-17-043	1	1	1
8	Blending Tube—60 GPM	7-72-155	1	-	-
8	Blending Tube—95 GPM	7-72-156	-	1	-
8	Blending Tube—125 GPM	7-72-157	-	-	1
9	O-Ring	7-57-010	1	1	1
10	Set Screw	7-65-025	1	1	1
11	Swivel Collar	104237	1	1	1
12	Check Ball	7-03-159	1	1	1
13	Gasket	7-16-027	1	1	1
14	Vellumoid Gasket	7-17-050	2	2	2
15	O-Ring	7-57-031	1	1	1
16	Ball Retainer	104941	1	1	1
17	Shutoff Ball	7-03-151	1	1	1
18	Seat Tube	7-69-517	1	1	1
19	O-Ring	7-57-066	1	1	1
20	Socket Hea Cap Screw	7-67-048	12	12	12
21	O-Ring	7-57-034	1	1	1
22	Threaded Trunnion	7-73-007	1	1	1
23	O-Ring	7-57-021	1	1	1
24	Side Plate	109364	1	1	1
25	Spacer	7-69-313	2	2	2
26	Hex Hd. Cap Screw	7-61-067	1	1	1
27	Stop Plate	7-42-074	1	1	1
28	O-Ring	7-57-174	1	1	1
29	Trunnion	7-72-114	1	1	1
30	Set Screw	7-65-025	1	1	1
31	Handle Cover	109916	1	1	1
32	Handle Hub	7-21-202	1	1	1
33	Handle Rod	109148	1	1	1
34	Handle Ball	7-03-080	1	1	1
35	Adapter-1 1/2" NH X 1 1/2" NPSH (As Req.)	104239	1	1	1
36	Set Screw (As Req.)	7-65-002	1	1	1
37	Gasket (As Req.)	7-17-042	1	1	1
38	Hex Hd. Cap Screw	7-60-021	3	3	3
39	Instr. Label	7-03-474	1	1	1
40	Cover Label - 60 GPM	7-29-232	1	-	-
40	Cover Label - 95 GPM	7-29-231	-	1	-
40	Cover Label - 125 GPM	7-29-230	-	-	1
41	O-Ring	7-57-345	1	1	1
42	Spool - 60 GPM	7-69-618	1	-	-
42	Spool - 95 GPM	7-69-619	-	1	-
42	Spool - 125 GPM	7-69-620	-	-	1

\*For other threads, please specify

\*\* Packet of 50 ball bearings — 109041

**TECHNICAL SERVICE PARTS LIST**

ITEM NO.	DESCRIPTION	PART NUMBER	QUANTITY		
			3062	3097	3127
43	O-Ring	7-57-041	1	1	1
44	Metering Head	117191	1	1	1
45	Seat	7-69-608	1	1	1
46	I.D. Band - 60 GPM	7-04-620	1	-	-
46	I.D. Band - 95 GPM	7-04-621	-	1	-
46	I.D. Band - 125 GPM	7-04-622	-	-	1
47	O-Ring	7-57-055	1	1	1
48	Spring	7-69-437	1	1	1
49	Knob	7-27-042	1	1	1
50	Washer	7-84-064	1	1	1
51	Screw	7-63-067	1	1	1
52	Dial Label - 60 GPM	7-29-221	1	-	-
52	Dial Label - 95 GPM	7-29-220	-	1	-
52	Dial Label - 125 GPM	7-29-219	-	-	1
53	Fitting	117193	1	1	1
54	Clamp	7-07-333	2	2	2
55	Shrink Tube	7-72-163	2	2	2
56	Warning Band	7-04-541	1	1	1
57	Tube	109423	1	1	1
58	O-Ring	7-57-009	1	1	1
59	Screen	7-69-521	1	1	
60	Retainer	109422	1	1	1
61	Ball	7-04-018	1	1	1
62	Spring	7-69-603	1	1	1
63	Screw	7-65-205	1	1	1

\*\*\*Clamp requires special tool. Return to factory or use radiator type hose clamp and latex adhesive.