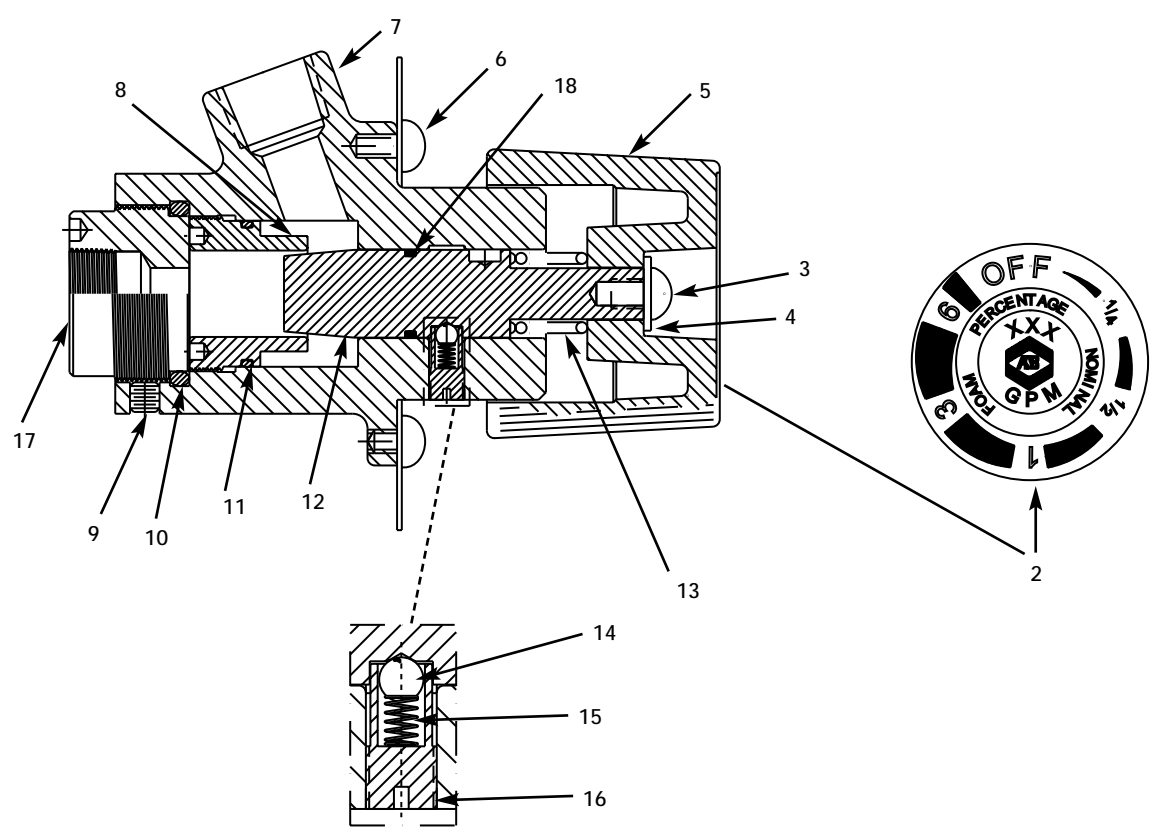


NOTE: This product model is no longer in production. For service and repair, please contact Akron's Customer Service at 800.228.1161 or 330.264.5678.

**STYLE 3061, 3096, 3126
Truck By-Pass Eductor Metering Panel
Built After March 1, 2000**

TECHNICAL SERVICE PARTS LIST



VALVE	VALVE POSITION FOR		
	FOAM	WATER ONLY	FLUSH (3 MIN)
WATER	OPEN	OPEN	OPEN
EDUCTOR	OPEN (200 PSI)	CLOSE	OPEN (100 PSI)
FOAM	OPEN	CLOSE	CLOSE
FLUSH	CLOSE	CLOSE	OPEN

CLASS A/B
FOAM SYSTEM

Akron®

- EDUCTOR PRESSURE - 200 psi
- USE AKRON XXX gpm NOZZLE

MAXIMUM HOSE LAYS: { XX' HOSE - XXX FEET (XXX FEET UP TO 1%)
 XX' HOSE - XXX FEET

BASED ON MAX. NOZZLE ELEVATION OF 10 FT. ABOVE EDUCTOR
 CAUTION: SEE OPERATION INSTRUCTIONS BEFORE USE



STYLE 3061, 3096, 3126
Truck By-Pass Eductor Metering Panel
Built After March 1, 2000
TECHNICAL SERVICE PARTS LIST

ITEM NO.	DESCRIPTION	PART NUMBER	QUANTITY		
1	Escutcheon Plate - 60 gpm	7-42-132	1	--	--
1	Escutcheon Plate - 95 gpm	7-42-131	--	1	--
1	Escutcheon Plate - 125 gpm	7-42-130	--	--	1
2	Dial Label - 60 gpm	7-29-221	1	--	--
2	Dial Label - 95 gpm	7-29-220	--	1	--
2	Dial Label - 125 gpm	7-29-219	--	--	1
3	Screw	7-65-149	1	1	1
4	Washer	7-84-075	1	1	1
5	Dial	7-27-042	1	1	1
6	Screw	7-63-067	2	2	2
7	Metering Head	117218	1	1	1
8	Seat	7-69-608	1	1	1
9	Screw	7-65-008	1	1	1
10	O-Ring	7-57-355	1	1	1
11	O-Ring	7-57-345	1	1	1
12	Spool - 60 gpm	7-69-618	1	--	--
12	Spool - 95 gpm	7-69-619	--	1	--
12	Spool - 125 gpm	7-69-620	--	--	1
13	Spring	7-69-437	1	1	1
14	Ball	7-04-018	1	1	1
15	Spring	7-69-603	1	1	1
16	Screw	7-65-205	1	1	1
17	Adapter	7-02-084	1	1	1
18	O-Ring	7-57-055	1	1	1



ISO 9001 REGISTERED COMPANY

PHONE: 330.264.5678 or 800.228.1161 | FAX: 330.264.2944 or 800.531.7335 | www.akronbrass.com
 Available in Canada through AKRON MANUFACTURING COMPANY
 PHONE: 519.773.8431 | FAX: 519.773.3794

REVISED 05/01

WARRANTY AND DISCLAIMER: We warrant Akron Brass products for a period of five (5) years after purchase against defects in materials or workmanship. Akron Brass will repair or replace product which fails to satisfy this warranty. Repair or replacement shall be at the discretion of Akron Brass. Products must be promptly returned to Akron Brass for warranty service.

We will not be responsible for: wear and tear; any improper installation, use, maintenance or storage; negligence of the owner or user; repair or modification after delivery; damage; failure to follow our instructions or recommendations; or anything else beyond our control. WE MAKE NO WARRANTIES, EXPRESS OR IMPLIED, OTHER THAN THOSE INCLUDED IN THIS WARRANTY STATEMENT, AND WE DISCLAIM ANY IMPLIED WARRANTY OF MERCHANTABILITY OR FITNESS FOR ANY PARTICULAR PURPOSE. Further, we will not be responsible for any consequential, incidental or indirect damages (including, but not limited to, any loss of profits) from any cause whatsoever. No person has authority to change this warranty.

© Premier Farnell Corporation, 2000 All rights reserved. No portion of this can be reproduced without the express written consent of Premier Farnell Corporation.

A Premier Farnell Company