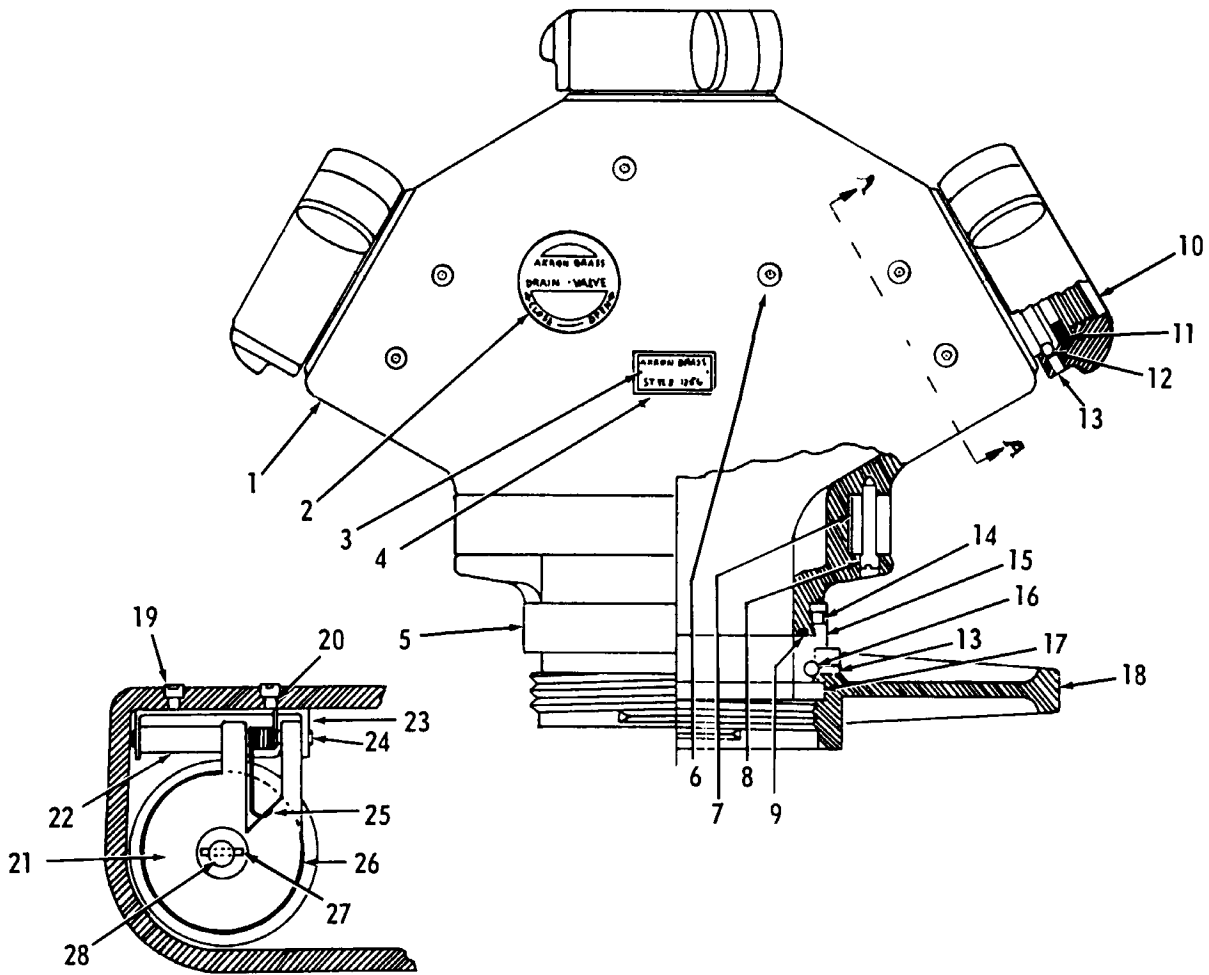


TECHNICAL SERVICE PARTS





STYLE 1256 3-WAY CLAPPER SIAMESE TECHNICAL SERVICE PARTS LIST

ITEM NO.	DESCRIPTION	PART NUMBER	QUANTITY
1	Body	101941	1
2	Dranit Valve	0004-0001	1
3	Grip Nails	7-36-045	2
4	Name Plate	7-73-168	1
5	Male Adapter* - 2-1/2" NH	102158	1
5	Male Adapter* - 3" NH	102161	1
5	Male Adapter - 3-1/2 NH	102170	1
5	Male Adapter - 4" NH	102159	1
5	Male Adapter - 4-1/2" NH	102160	1
5	Male Adapter - 5" NH	102162	1
5	Male Adapter - 6" NH	102163	1
6	Plug	7-44-009	1
7	Handle	108973	1
8	Handle Pin	7-41-036	1
9	O-Ring	7-57-080	1
10	Swivel * - 2 1/2" (NH) Rockerlug	101420	3
11	Gasket	7-17-043	3
12	Ball BEaring (3 - 2 1/2" Swivels)	†	114
13	Swivel Plug - 2 1/2" - 6"	7-42-023	4
14	Set Screw	7-65-040	1
15	Swivel Adapter* - 2 1/2"	102164	1
15	Swivel Adapter* - 3"	102165	1
15	Swivel Adapter* - 3 1/2"	102166	1
15	Swivel Adapter* - 4"	102167	1
15	Swivel Adapter* - 4 1/2"	109709	1
15	Swivel Adapter* - 5"	109710	1
15	Swivel Adapter* - 6"	109711	1
16	Ball Bearing - 2 1/2"	†	38
16	Ball Bearing - 3"	†	47
16	Ball Bearing - 3 1/2"	†	53
16	Ball Bearing - 4"	†	58
16	Ball Bearing - 4 1/2"	†	69
16	Ball Bearing - 5"	†	72

ITEM NO.	DESCRIPTION	PART NUMBER	QUANTITY
16	Ball Bearing - 6"	†	88
17	Swivel Gasket - 2 1/2"	7-17-043	1
17	Swivel Gasket - 3"	7-14-022	1
17	Swivel Gasket - 3 1/2"	7-14-023	1
17	Swivel Gasket - 4"	7-14-024	1
17	Swivel Gasket - 4 1/2"	7-14-025	1
17	Swivel Gasket - 5"	7-14-026	1
17	Swivel Gasket - 6"	7-14-028	1
18	Swivel * - 2-1/2" Long Handle NH	104046	1
18	Swivel * - 3" Long Handle NH	104047	1
18	Swivel * - 3-1/2" Long Handle NH	104048	1
18	Swivel * - 4" Long Handle NH	104049	1
18	Swivel * -4-1/2" Long Handle NH	104050	1
18	Swivel * - 5" Long Handle NH	104051	1
18	Swivel * -6" Long Handle NH	104053	1
18	Swivel * -2-1/2" Rockerlug NH	101420	1
18	Swivel * -3" Long Hanlde NH	104013	1
18	Swivel * -3-1/2" Rockerlug NH	104014	1
18	Swivel * 4" Rockerlug NH	104015	1
18	Swivel * 4-1/2" Rockerlug NH	104016	1
18	Swivel * -5" Rockerlug NH	104017	1
18	Swivel * -6" Rockerlug NH	104019	1
19	Cap Screw	7-66-043	6
20	O-Ring	7-57-084	6
21	Clapper Valve Holder	101958	3
22	Spacer	101961	3
23	Bracket	101957	3
24	Axis Pin	101959	3
25	Spring	7-68-029	3
26	Valve Disc	101759	3
27	Roll Pin	7-44-049	6
28	Pivot Pin	101960	3

* For other threads order by description and thread size (ODM and TPI) or Akron Thread code.
† Packet of 50 Ball Bearings - P/N 109041



PHONE: 330.264.5678 or 800.228.1161 | FAX: 330.264.2944 or 800.531.7335 | www.akronbrass.com

REVISED: 8/08

WARRANTY AND DISCLAIMER: We warrant Akron Brass products for a period of five (5) years after purchase against defects in materials or workmanship. Akron Brass will repair or replace product which fails to satisfy this warranty. Repair or replacement shall be at the discretion of Akron Brass. Products must be promptly returned to Akron Brass for warranty service.

We will not be responsible for: wear and tear; any improper installation, use, maintenance or storage; negligence of the owner or user; repair or modification after delivery; damage, failure to follow our instructions or recommendations; or anything else beyond our control. WE MAKE NO WARRANTIES, EXPRESS OR IMPLIED, OTHER THAN THOSE INCLUDED IN THIS WARRANTY STATEMENT, AND WE DISCLAIM ANY IMPLIED WARRANTY OF MERCHANTABILITY OR FITNESS FOR ANY PARTICULAR PURPOSE. Further, we will not be responsible for any consequential, incidental or indirect damages (including, but not limited to, any loss of profits) from any cause whatsoever. No person has authority to change this warranty.

© Premier Farnell Corporation. 2000 All rights reserved. No portion of this can be reproduced without the express written consent of Premier Farnell Corporation.

A Premier Farnell Company