



OPERATING INSTRUCTIONS AKRON STYLE 588 HOSE CLAMP

The following instructions must be followed for safe and efficient use of the product.

MAXIMUM PRESSURES AND FLOWS

1½", 1¾", AND 2" HOSES

Flowing Hose*: 150 PSI (1035 kPa)/300 GPM (1135 LPM).
Non-flowing Hose**: 200 PSI (1380 kPa).

2½" AND 3" HOSES

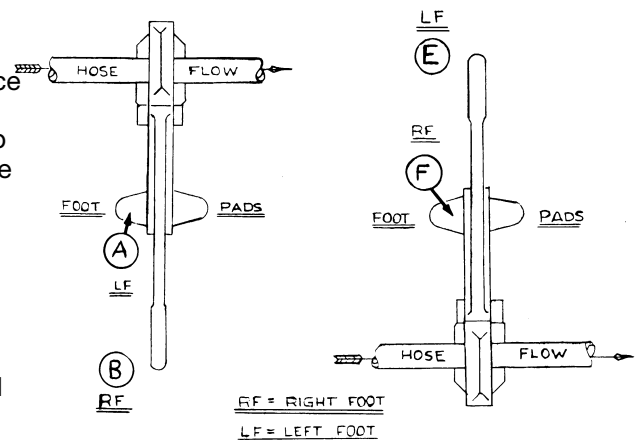
Flowing Hose*: 100 PSI (690 kPa)/500 GPM (1390 LPM).
Non-flowing Hose**: 125 PSI (860 kPa)

- * In a flowing hose, the maximum flow refers to the flow in the hose prior to clamping. The maximum pressure refers to the pressure in the hose before or immediately after closing the clamp.
- ** In a non-flowing hose, the maximum pressure refers to either the pressure that will develop when charging a clamped, empty hose, or the static pressure in a charged hose prior to applying the clamp.

INSTALLING THE CLAMP

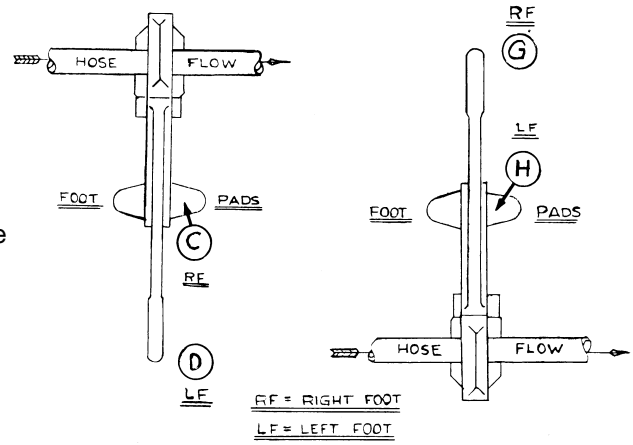
Whenever possible, install the clamp within 1 to 2 feet upstream of a coupling. When installing the clamp on a flowing hose, stand on the upstream (pressure) side of the clamp. Woven hoses will often stretch away from the source when the flow is stopped. Therefore, it is important to put one foot on the upstream footplate at the rear of the clamp while closing the jaws. Place the other foot well back of the unit for maximum body stability (see sketches; foot positions A/B and E/F).

Center the hose in the jaws of the clamp. Use both hands to firmly grasp the handle. Bring the handle down to the closed and latched position in one rapid, smooth motion. The closure should not be done too quickly or too slowly. Under most conditions, the closure time should be about 1 to 2 seconds. **DO NOT LET GO OF THE HANDLE UNTIL THE LOCKING LATCH IS FULL ENGAGED.** Proper engagement of the latch can be checked by pulling up slightly on the handle.



REMOVING THE CLAMP

When releasing the clamp from a charged hose, use extreme caution due to the stored energy potential which will be transmitted to the handle as the jaws are opened. The clamp may tend to move back towards the pressure source as the clamp is opened and therefore, one foot should be placed on the downstream foot pad. Place the other foot back of the unit for maximum body stability (see sketches; foot positions C/D and G/H). Grasp the handle firmly with one hand and hold the handle down while releasing the latch with the other hand. Hold the latch up and very slowly raise the handle a few inches until the latch is not able to snap back into the locked position. Before moving the handle any further, firmly grasp the end with both hands. Allow the handle to come up slowly. As the handle travels upward, the force pushing the handle up will increase until the jaws are as wide as the hose. DO NOT RELEASE YOUR GRASP OF THE HANDLE UNTIL THE JAWS ARE FULLY OPENED.



WARNING

USE ONLY ON 3" OR SMALLER, DOUBLE-JACKETED, WOVEN HOSE. DO NOT USE ON PLASTIC OR RUBBER-COATED HOSE. ALWAYS STAND ON UPSTREAM SIDE WHEN CLAMPING. USE EXTREME CAUTION WHEN OPENING UNDER PRESSURE.

"All statements, technical information and recommendations contained herein are based upon information and tests we believe to be accurate and reliable. Since conditions of use are outside of our control, you shall determine the suitability of the product for your use and you assume all risk and liability whatsoever in connection therewith."



ISO 9001 REGISTERED COMPANY

PHONE: 330.264.5678 or 800.228.1161 | FAX: 330.264.2944 or 800.531.7335 | www.akronbrass.com
Available in Canada through AKRON MANUFACTURING COMPANY
PHONE: 519.773.8431 | FAX: 519.773.3794

AB-470 (REV. 12/98)

WARRANTY AND DISCLAIMER: We warrant Akron Brass products for a period of five (5) years after purchase against defects in materials or workmanship. Akron Brass will repair or replace product which fails to satisfy this warranty. Repair or replacement shall be at the discretion of Akron Brass. Products must be promptly returned to Akron Brass for warranty service.

We will not be responsible for: wear and tear; any improper installation, use, maintenance or storage; negligence of the owner or user; repair or modification after delivery; damage; failure to follow our instructions or recommendations; or anything else beyond our control. WE MAKE NO WARRANTIES, EXPRESS OR IMPLIED, OTHER THAN THOSE INCLUDED IN THIS WARRANTY STATEMENT. AND WE DISCLAIM ANY IMPLIED WARRANTY OF MERCHANTABILITY OR FITNESS FOR ANY PARTICULAR PURPOSE. Further, we will not be responsible for any consequential, incidental or indirect damages (including, but not limited to, any loss of profits) from any cause whatsoever. No person has authority to change this warranty.

© Premier Farnell Corporation, 2000 All rights reserved. No portion of this can be reproduced without the express written consent of Premier Farnell Corporation.

A Premier Farnell Company